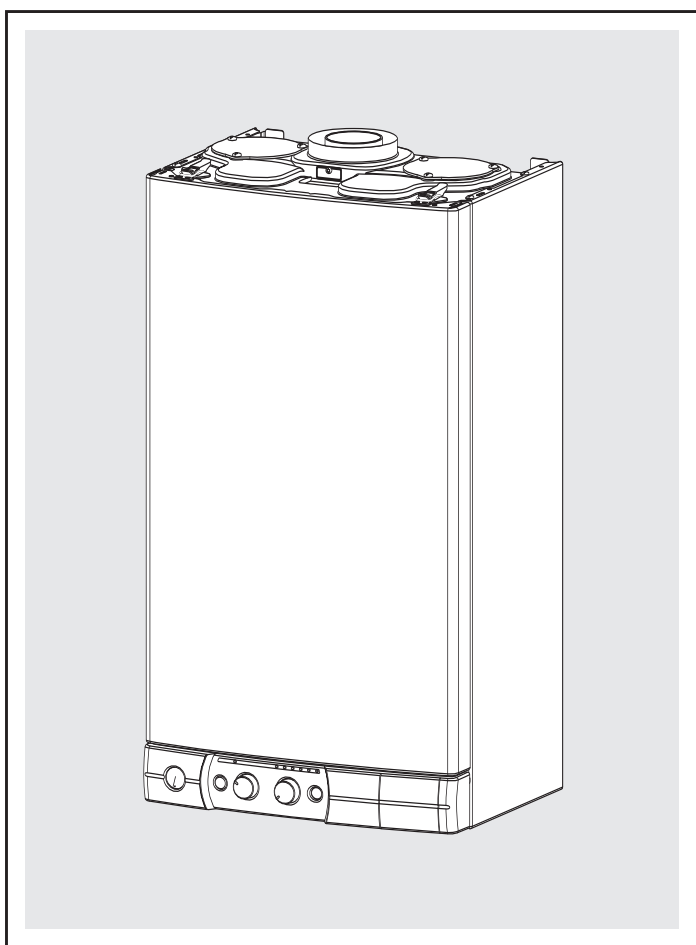


DOMESTIC BOILERS

MINIMA MX2

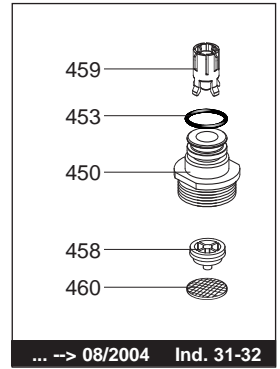
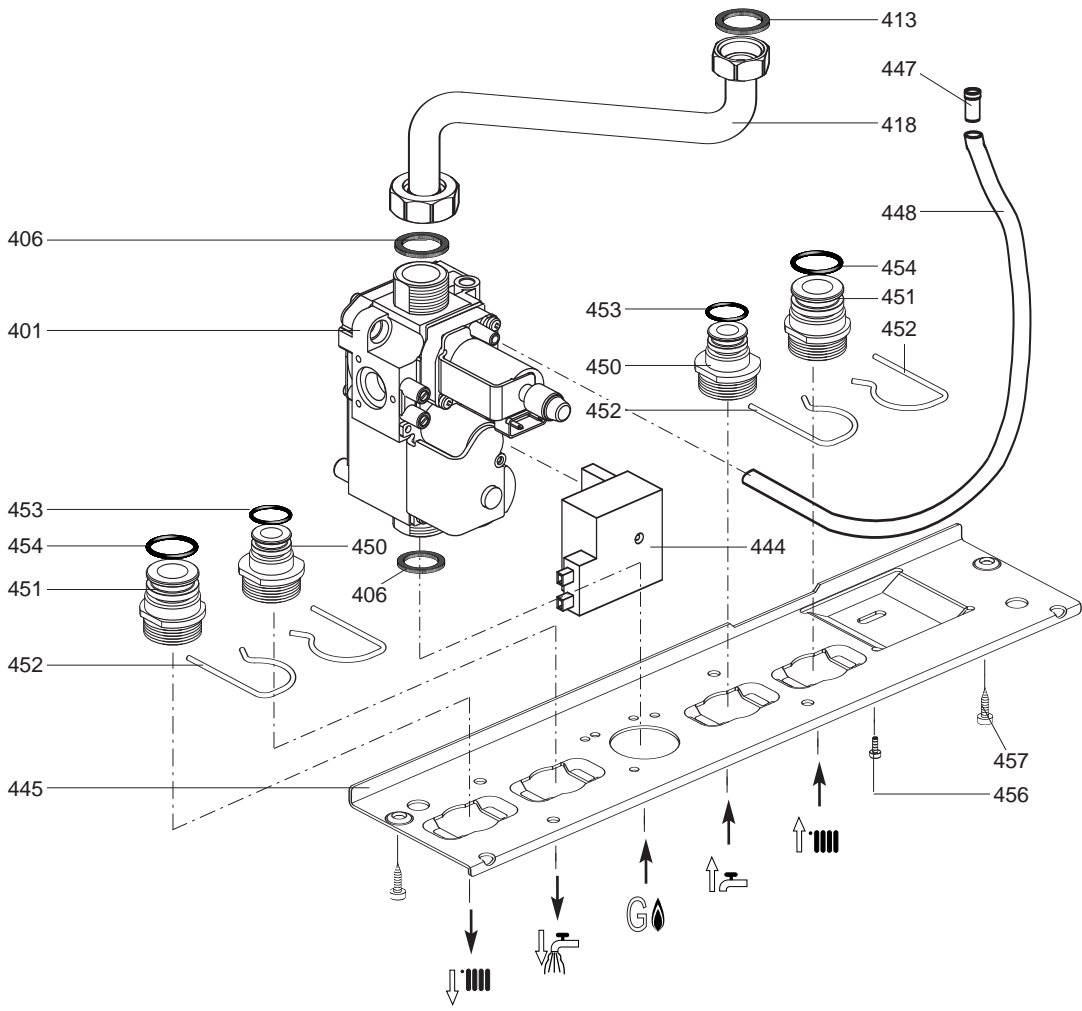


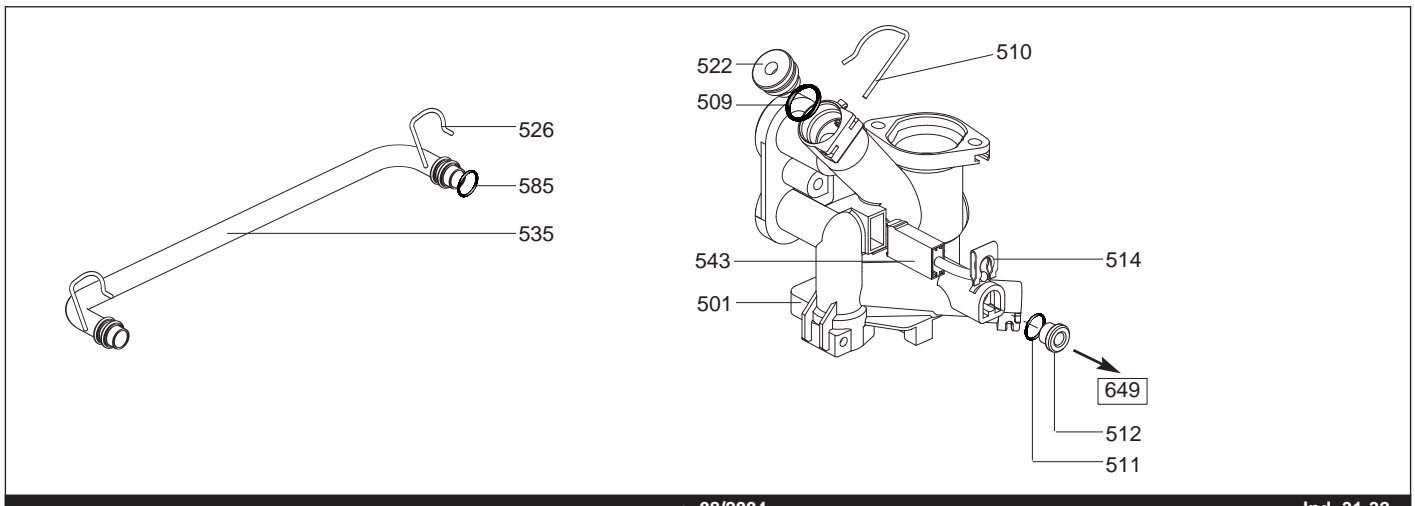
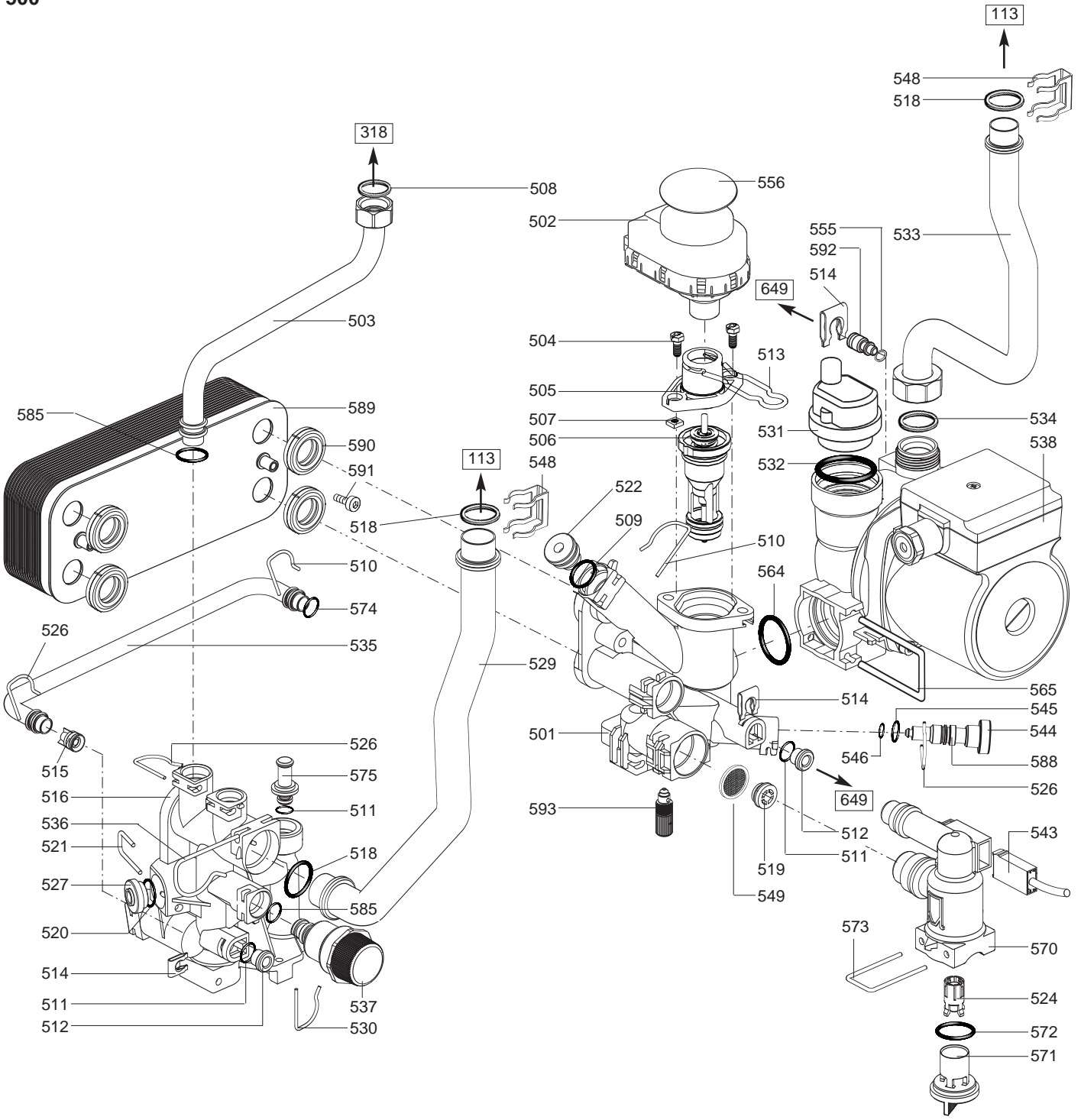
MINIMA MX2 24 FF
MINIMA MX2 30 FF

B

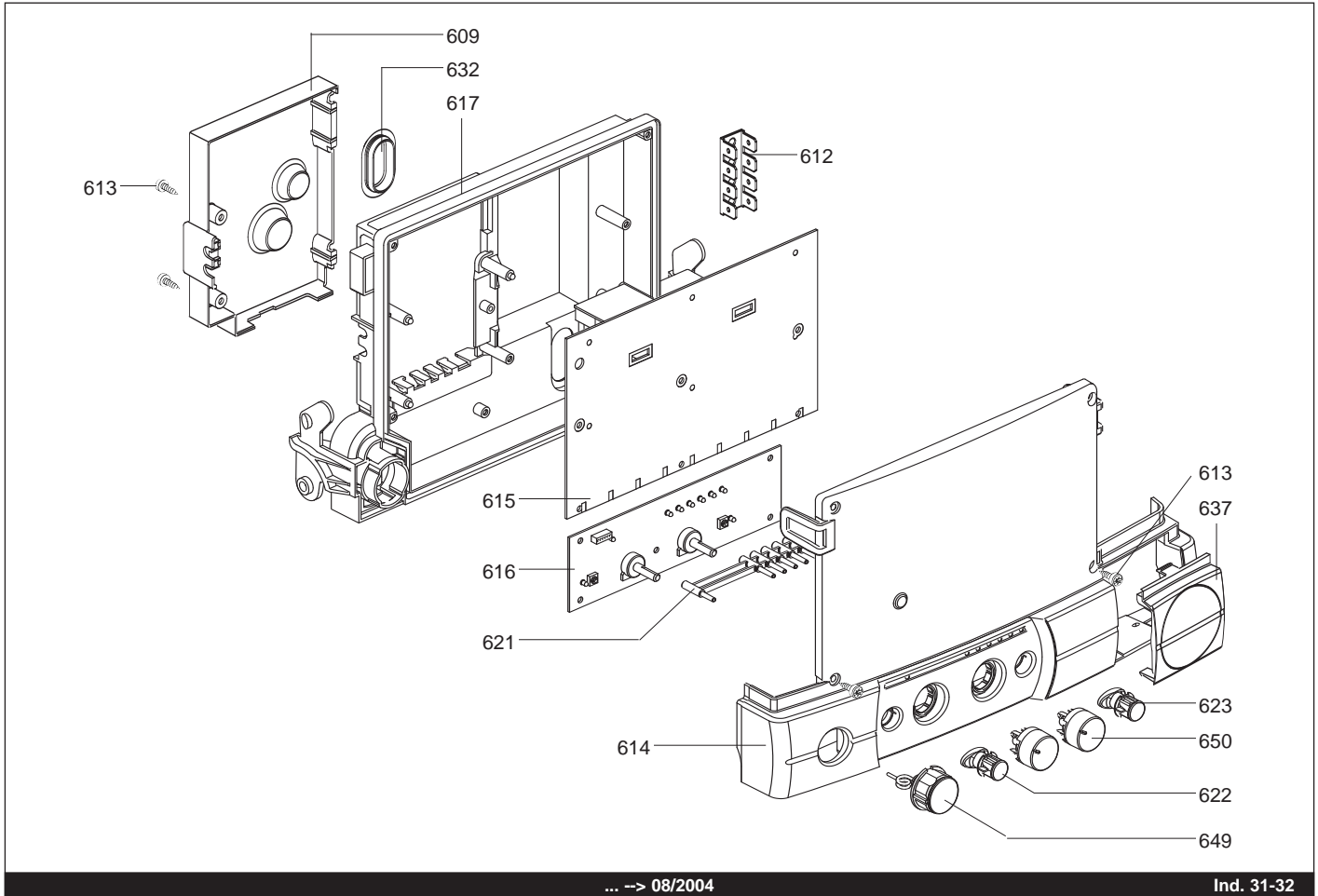
MINIMA MX2

Key N°	Description	Manf. Pt. N°	Other	Type	MINIMA MX2		Manf. date	
					FF	FF	from	to
0100	BURNER ASSEMBLY							
0102	COMBUSTION CHAMBER LINING KIT	61400230			●			
	COMBUSTION CHAMBER LINING KIT	61400231				●		
0103	CLIP	61010050			●	●		
0104	OVERHEAT THERMOSTAT 105°C	61010191			●	●		
0107	BURNER 30FF	61311028				●		
	BURNER 24FF	61315073			●			
0108	Temperature probe + clip (C.H. - T335D)	990686			●	●		
0109	ELECTRODE CABLE	61313738			●	●		
0110	IGNITION ELECTRODE	61314169			●	●		
0113	HEAT EXCHANGER 30FF	61310430				●		
	HEAT EXCHANGER 24FF	61310774			●			
0114	COMBUS. CHAMBER + HOOD 24FF	61314556			●			
	COMBUS. CHAMBER + HOOD 30FF	61314557				●		
0115	TAPPING SCREW CBLX D: 4.2-9.5	61010125			●	●		
0117	MANIFOLD 14 INJ. D:0.82	61311034		LPG		●		
	MANIFOLD 11 INJ. D:0.80	61313490		LPG	●			
	MANIFOLD 11 INJ. D:1.35	61311026		NAT	●			
	MANIFOLD 14 INJ. D:1.30	61311033		NAT		●		
0118	M4x8 pan head screw/nickel-plated(20pcs)	997783			●	●		
0119	TAPPING SCREW ST D: 4.2-9.5	61313796			●	●		
0120	SPIRE CLIP	60057488			●	●		
0200	FAN ASSEMBLY							
0203	RESTRICTOR	61313776				●		
	RESTRICTOR	61315580			●			
0204	Gasket (flue test point - 5 pcs)	998636			●	●		
0206	FAN ASSY 1V 24FF	61310933			●			
	FAN ASSY 1V 30FF	61312496				●		
0212	SCREW CLXS M 4-12	61015153			●	●		
0213	Cover (flue test point)	998565			●	●		
0214	SILICONE TUBE D: 9x3 L: 1.30M	60081265			●	●		
0216	AIR PRESSURE SWITCH 116>138 Pa	61313340			●			
	AIR PRESSURE SWITCH 155>185 Pa	61313932				●		
0228	TAPPING SCREW CBLX D: 6.3-13	61010648			●	●		
0300	SEALED CASE							
0303	TOP PANEL BOX	61313319			●	●		
0305	RIGHT CONTROL PANEL	61312643			●	●		
0306	TAPPING SCREW CBLX D:4.2-12.5	61010847			●	●		
0309	BASE - BOX	61315439			●	●		
0314	GROMMET	61010109			●	●		
0315	GROMMET	61312492			●	●		
0316	Air return cover	990350			●	●		
0317	CONTROL PANEL	61310860			●	●		
0318	DEFLECTOR	61313778			●	●		
0319	CHASSIS	61310812			●			
	CHASSIS	61312482				●		
0321	CASE	61313042			●	●		
0322	WALL HOOK	61312611			●	●		
0323	TAPPING SCREW D: 3.5-9.5	61015329			●	●		
0325	FOAM SEAL 20x15 L: 1.7M	61400236			●	●		
0326	FOAM SEAL 10x2 L: 0.8M	61400237			●	●		
0327	EXPANSION VESSEL 8L	61311907			●	●		



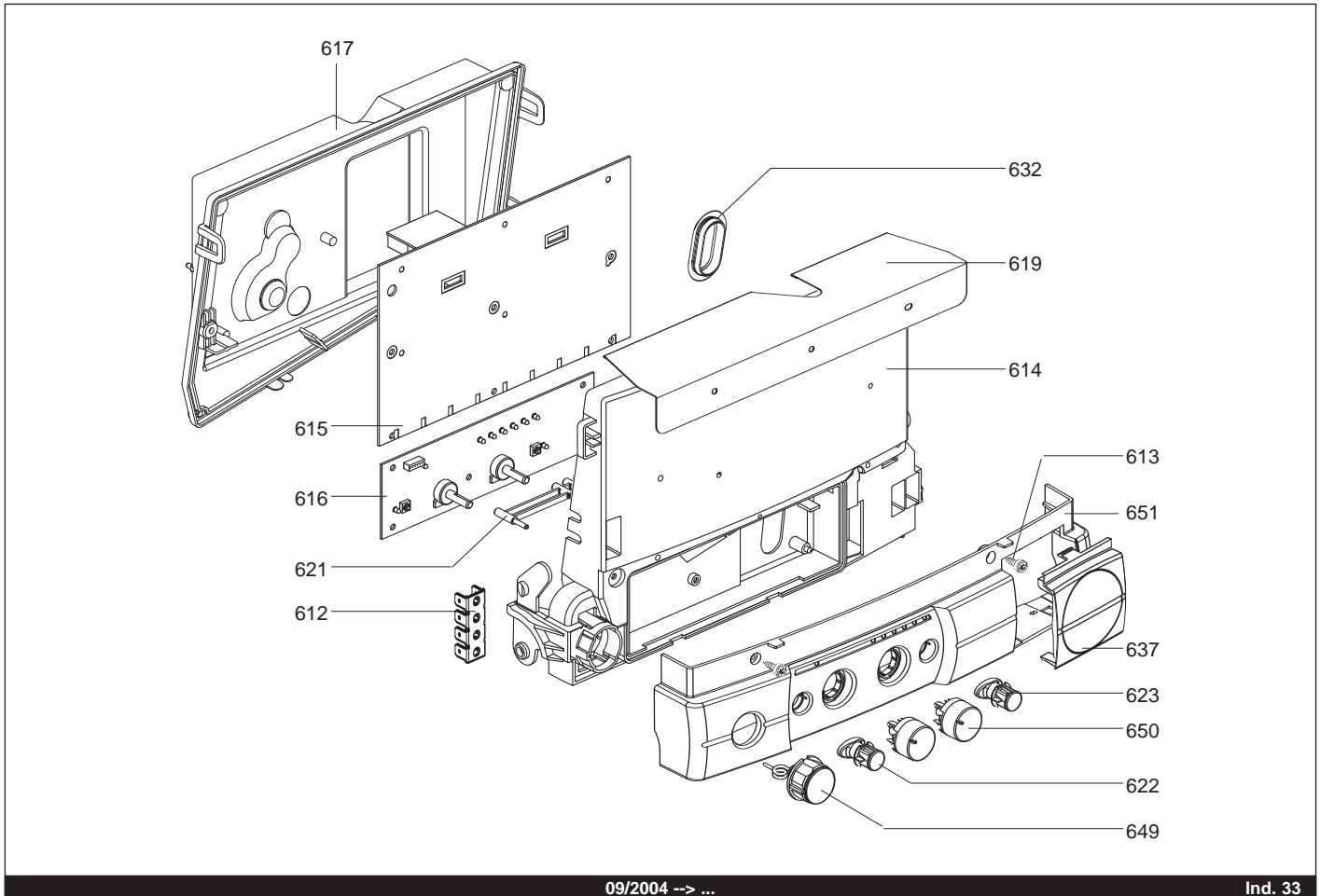


Key N°	Description	Manf. Pt. N°	Other	Type	MINIMA MX2		MINIMA MX2		Manf. date	
					FF	FF	FF	FF	from	to
0500	HYDRAULIC BLOCK									
0501	RIGHT HAND BLOCK + V3V	61313807			●	●				08/04
	RIGHT HAND BLOCK + V3V	61315546			●	●			09/04	
0502	MOTOR - THREE-WAY VALVE	61302483			●	●				
0503	TUBE (Expan vessel)	61312602			●	●				
0504	SCREW CHc M 5-12	61018365			●	●				
0505	INTERFACE	61304003			●	●				
0506	VALVE KIT	61311597			●	●				
0507	NUT M 5	61016604			●	●				
0508	SHEET GASKET D: 12-8.1-1	60061853-05			●	●				
0509	"O" RING D: 13.6-2.7	61009834-18			●	●				
0510	CLIP	61010112			●	●				
0511	"O" RING D: 5.7-1.9	60024164-10			●	●				
0512	PLUG	61016752			●	●				
0513	PIN	61304002			●	●				
0514	CLIP	61002406			●	●				
0515	CY-PASS D:14	61312607			●	●				08/04
	CY-PASS D:20	61316013			●	●			09/04	
0516	LEFT HAND HYDRAULIC BLOCK	61312303			●	●				
0518	"O" RING D: 17-4	60024164-51			●	●				
0519	FLOW REGULATORE 8L/MN (RED)	61017288-08			●	●				
	FLOW REGULATORE 10L/MN (WHITE)	61017288-10			●	●				
0520	"O" RING D: 13.6-2.7	60024164-18			●	●				
0521	PIN	61012909-02			●	●				
0522	PLUG	61313056			●	●				
0524	PISTON	61311314			●	●				
0526	CLIP	61010005			●	●				
0527	PLUG	61002490			●	●				
0529	HEAT EXCHANGER TUBE	61312604			●	●				
	HEAT EXCHANGER TUBE	61313033			●	●				
0530	CLIP	61313953			●	●				
0531	AIR SEPARATOR HEAD ASSEMBLY	61304608			●	●				
0532	GASKET KIT	61304618			●	●				
0533	TUBE : PUMP TO HEAT EXCHANGER	61312605			●	●				
	TUBE : PUMP TO HEAT EXCHANGER	61313034			●	●				
0534	"O" RING D: 16-1.9	61009833-37			●	●				
0535	BYPASS TUBE PDR	61312301			●	●				08/04
	BYPASS TUBE D:15	61314383			●	●			09/04	
0536		61313954			●	●				
0537	PRESSURE RELIEF VALVE	61312668			●	●				
0538	PUMP + AIR SEPARATOR 15/50	61301964			●	●				
	PUMP + AIR SEPARATOR 15/60	61303461			●	●				
0543	STOPPED WATER THROTTLE	61311745			●	●				
0548	CLIP	61010609			●	●				
0549	WATER FILTER	61301924			●	●				
0550	CAPACITOR	61000652-10			●	●				
0555	O RING D: 5.7-1.9"	61009834-10			●	●				
0556	INSULATION	61313086			●	●				
0564	"O" RING D: 24.6-3.6	61009834-30			●	●				
0565	PIN	61305185			●	●				
0570	STOPPED WATER THROTTLE BODY	61314149			●	●			09/04	
0571	PLUG	61314175			●	●			09/04	
0572	"O" RING D: 25-2.4	60024164-32			●	●			09/04	
0573	PIN	61016206-02			●	●			09/04	
0574	GASKET D: 15-3	61315715			●	●			09/04	
0575	PLUG	61010485			●	●			09/04	
0585	"O" RING D: 8.9-2.7	61009834-14			●	●				
0589	WATER / WATER HEAT EXCHANGER	61302409			●	●				
0590	LIP SEAL	61002249			●	●				
0591	SCREW CLX M 5-20	61017600			●	●				
0592	PLUG	61314575			●	●				
0593	DRAIN SCREW ASSY	60081904			●	●			09/04	



... -> 08/2004

Ind. 31-32

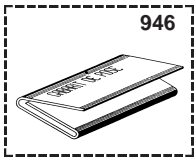
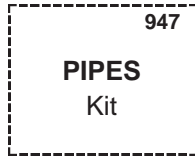


09/2004 -> ...

Ind. 33

R8207528

900



B

MINIMA MX2

5000

