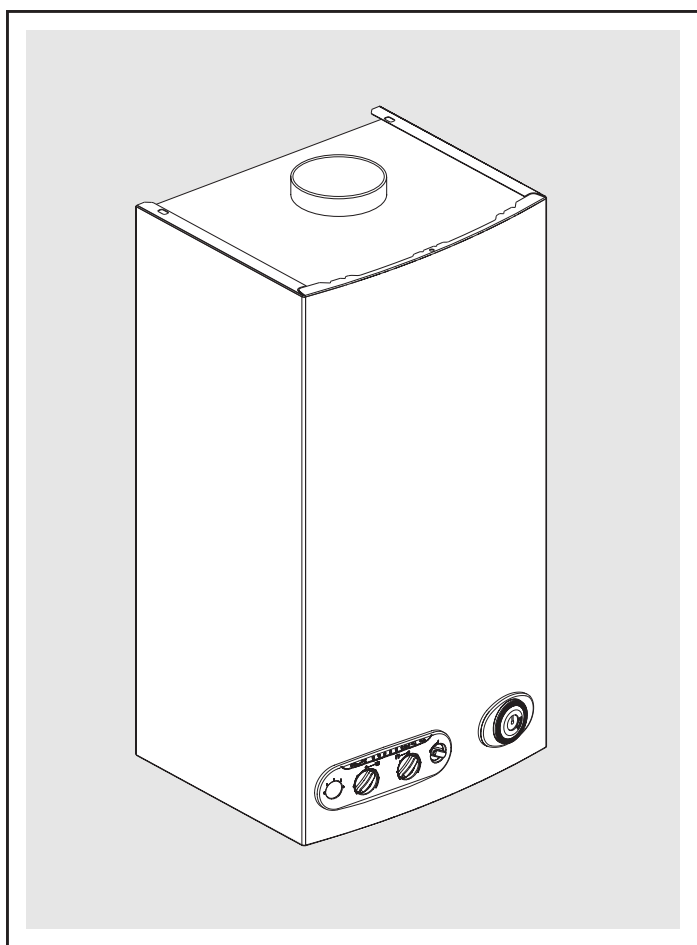


DOMESTIC BOILERS

BRITONY COMBI SE

(From 05/2002 to ...)



BRITONY COMBI SE 80 (Without timeclock)

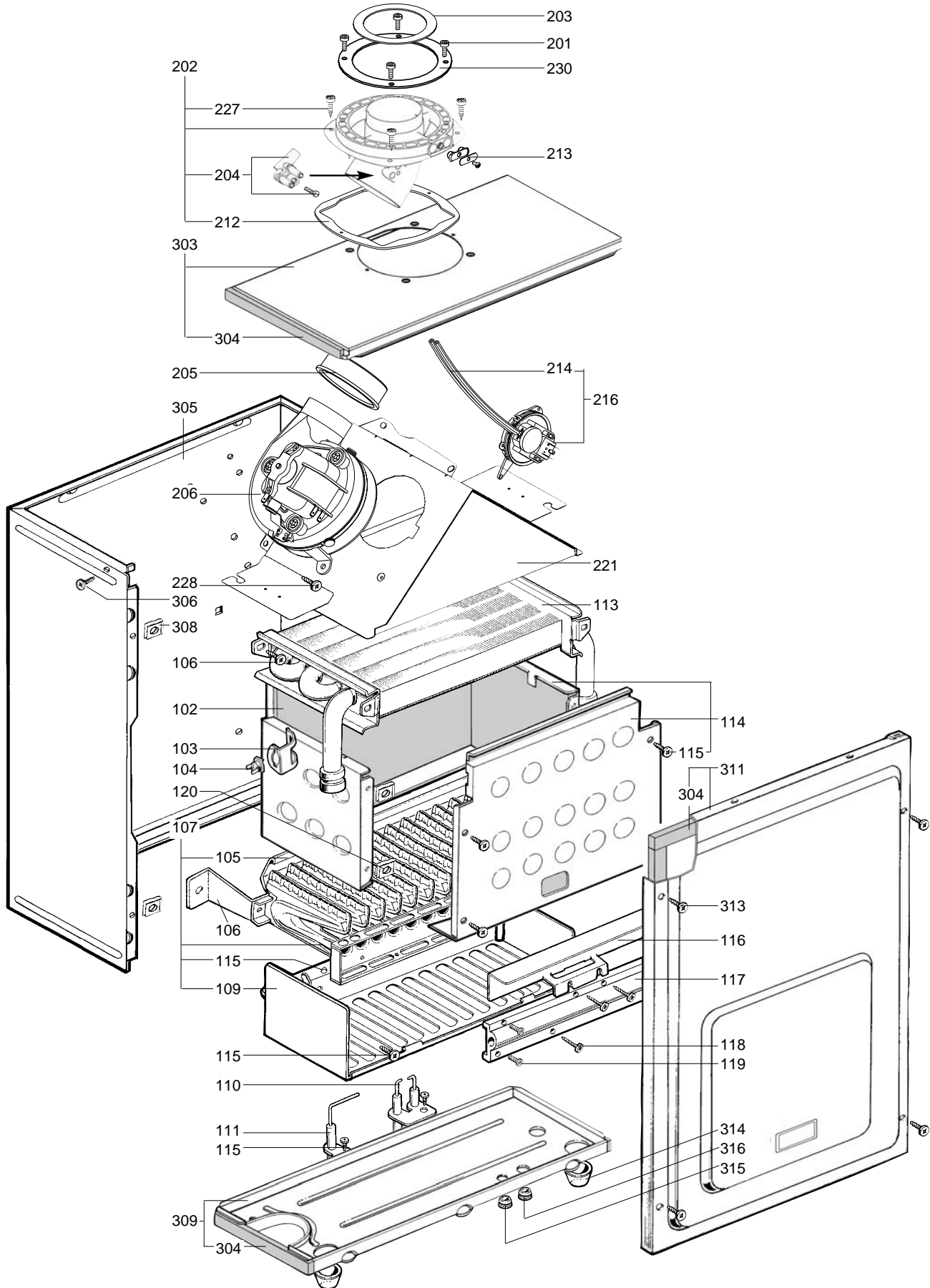
BRITONY COMBI SE 80 (With timeclock)

BRITONY COMBI SE 100

B

BRITONY COMBI SE - From 05/2002 to ...

- 100 BURNER
- 200 FAN
- 300 SEALED CASE



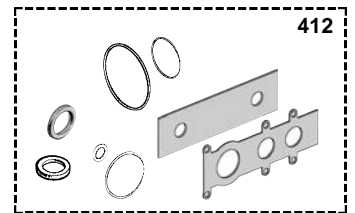
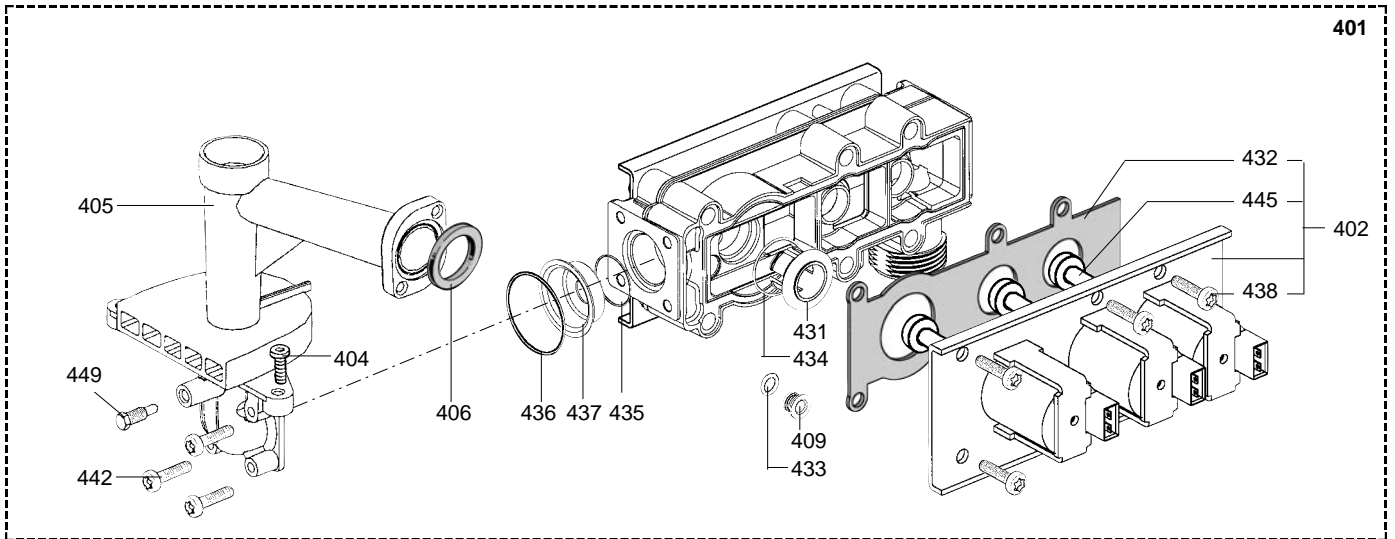
B

BRITONY COMBI SE - From 05/2002 to ...

Key N°	Description	G.C N°	Manf. Pt. N°	Type	80			100		Manf. date	
					B.C. SF	B.C. SF	B.C. SF	BRITONY COMBI SE		from	to
					(with/without)	(with/without)	(with/without)				
100	BURNER ASSEMBLY										
102	COMBUSTION CHAMBER LINING KIT	277781	60081722		•	•	•				
103	CLIP	277782	61010050		•	•	•				
104	OVERHEAT THERMOSTAT 105°C		61303566		•	•	•				
105	CROSS LIGHTING STRIP	277784	61002811		•	•	•				
106	TAPPING SCREW CBLX D: 6.3-13	277865	61010648		•	•	•				
107	BURNER HEAD		61010753		•	•	•				
109	GRILLE	277787	61010223		•	•	•				
110	IGNITION ELECTRODE	277788	61002801		•	•	•				
111	IONIZATION ELECTRODE	277789	61002802		•	•	•				
113	HEAT EXCHANGER	277790	61010017		•	•	•				
	HEAT EXCHANGER	E00606	61011136				•				
114	COMBUSTION CHAMBER ASSY	277791	60081721		•	•	•				
115	TAPPING SCREW CBLX D: 4.2-9.5	277792	61010125		•	•	•				
116	DEFLECTOR	277793	61010392		•	•	•				
	DEFLECTOR		61011642				•				
117	MANIFOLD 16 INJ.	277794	61010175	B/P	•	•	•				
	MANIFOLD 16 INJ.	E23471	61011312	B/P			•				
	MANIFOLD 16 INJ.	277795	61010341	NAT	•	•	•				
	MANIFOLD 16 INJ.	E00607	61011305	NAT			•				
118	TAPPING SCREW CBLX D: 4.2-25	277796	61010128		•	•	•				
119	SCREW HX M 5-12	277797	61010131		•	•	•				
120	SPIRE CLIP	366787	60057488		•	•	•				
200	FAN ASSEMBLY										
201	SCREW CLX M 5-20		61017600		•	•	•				
202	BEND 45° KIT		61306695		•	•	•				
203	RESTRICTOR D:82		61304754		•	•	•				
	RESTRICTOR D:84		61305420		•	•	•				
	RESTRICTOR D:75		61306276		•	•	•				
	RESTRICTOR D:78		61307339		•	•	•				
	RESTRICTOR D:80		61307846		•	•	•				
	RESTRICTOR D:79		61308126		•	•	•				
204	VENTURI		61310050		•	•	•				
205	GASKET		61303825		•	•	•				
206	FAN ASSY		61304720		•	•	•				
	FAN ASSY 30FF		61304721				•				
212	GASKET		61300262		•	•	•				
213	PLUG KIT		61306698		•	•	•				
214	SILICONE TUBE D: 9x3 L: 1.30M	264444	60081265		•	•	•				
216	AIR PRESSURE SWITCH 24KW		61306697		•	•	•				
	AIR PRESSURE SWITCH 28KW		61307335				•				
221	HOOD		61304712		•	•	•				
	HOOD		61304713				•				
227	TAPPING SCREW CBLX D:4.2-12.5		61010847		•	•	•				
228	TAPPING SCREW CBLX D: 6.3-13	277865	61010648		•	•	•				
230	GASKET (/ Flue bend turret)		61300258		•	•	•				
300	SEALED CASE										
303	TOP PANEL BOX		61305438		•	•	•				
304	FOAM SEAL 12.5x5 L: 2.5M	264425	60081273		•	•	•				
305	CASE	277814	61010106		•	•	•				
306	TAPPING SCREW CBLZ D: 4.2-13	277815	60079486		•	•	•				
308	SPIRE CLIP	366787	60057488		•	•	•				
309	BASE - BOX	277816	61010588		•	•	•				
311	CASE COVER	E23478	60081851		•	•	•				
313	TAPPING SCREW CBLZ D: 4.2-19	277818	61003114		•	•	•				
314	GROMMET	277819	61010109		•	•	•				
315	GROMMET	366877	60039017		•	•	•				
316	GROMMET - DOUBLE	277820	60042707		•	•	•				
317	DEFLECTOR	E23479	61012601				•				
318	DEFLECTOR	E23480	61012602				•				

B

BRITONY COMBI SE - From 05/2002 to ...



B

BRITONY COMBI SE - From 05/2002 to ...

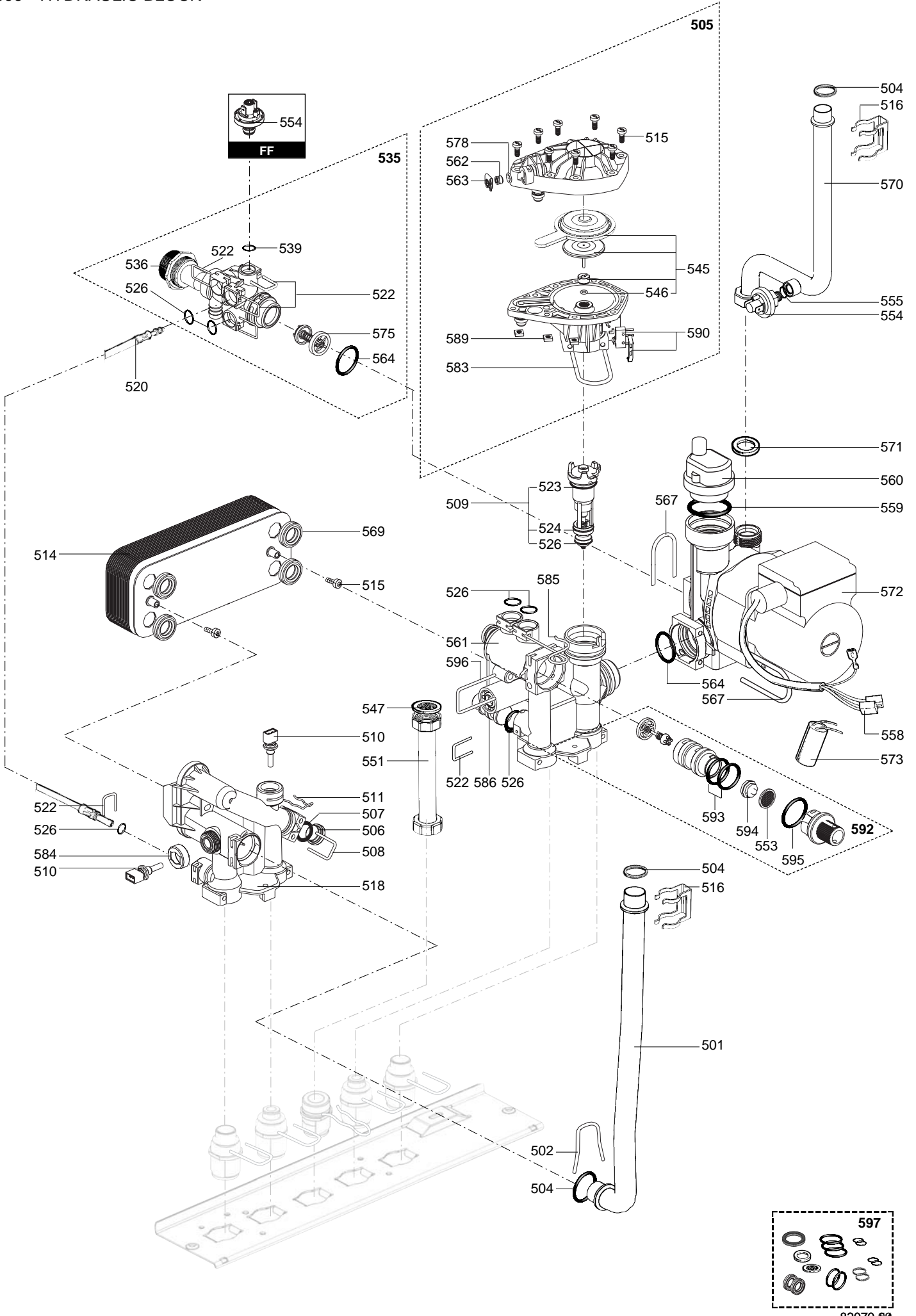
Key N°	Description	G.C N°	Manf. Pt. N°	Type	80 / 100			Manf. date	
					B.C. SE	B.C. SE (without/without)	B.C. SE (with/without)	from	to
					FF	FF	FF		
400	GAS SECTION								
401	GAS VALVE LPG	E23481	61015198	B/P	●	●			
	GAS VALVE LPG	E23482	61015342	B/P			●		
	GAS VALVE NAT	E23484	61015196	NAT	●	●			
	GAS VALVE NAT	E23485	61015341	NAT			●		
402	SOLENOID VALVES KIT	E23494	60081836		●	●	●		
404	SCREW HX M 5-12	277797	61010131		●	●	●		
405	BURNER BASE KIT	E23489	60081835		●	●	●		
406	GASKET (/Manifold)	277798	61010071		●	●	●		
409	VALVE D: 1.75	E23490	61014420-08	B/P	●	●			
	VALVE D: 2.00	E23491	61014420-09	B/P			●		
	VALVE D: 2.60	E23492	61014420-04	NAT	●	●			
	VALVE D: 2.90	E23493	61014420-05	NAT			●		
410	FOAM SEAL 12x7 L: 5M	265412	60081273-04		●	●	●		
412	GAS SECTION GASKETS KIT	E23495	60081837		●	●	●		
431	RESTRICTOR	E23497	61013017		●	●	●		
432	GASKET (/Solenoid valve)	E23498	61013018		●	●	●		
433	"O"RING D: 6-1	E23499	60021061-36		●	●	●		
434	"O" RING D: 14.1-1.6	E23500	60021061-41		●	●	●		
435	"O" RING D: 17.1-1.6	E23501	60021061-42		●	●	●		
436	"O" RING D: 22-2.6	E23502	60021061-40		●	●	●		
437	RESTRICTOR D: 4.9	E23503	61013016-02	B/P	●	●			
	RESTRICTOR D: 6.7	E23504	61013016-01	B/P			●		
	RESTRICTOR D: 6.7	E23504	61013016-01	NAT	●	●			
438	SCREW CLXS M 5-45		61014414		●	●	●		
442	SCREW CBLXS M 4-20	E23487	61014415		●	●	●		
445	SOLENOID PISTONS KIT	277530	60081368		●	●	●		
449	PRESSURE TEST POINT SCREW		61016378		●	●	●		

B

BRITONY COMBI SE - From 05/2002 to ...

B

BRITONY COMBI SE - From 05/2002 to ...



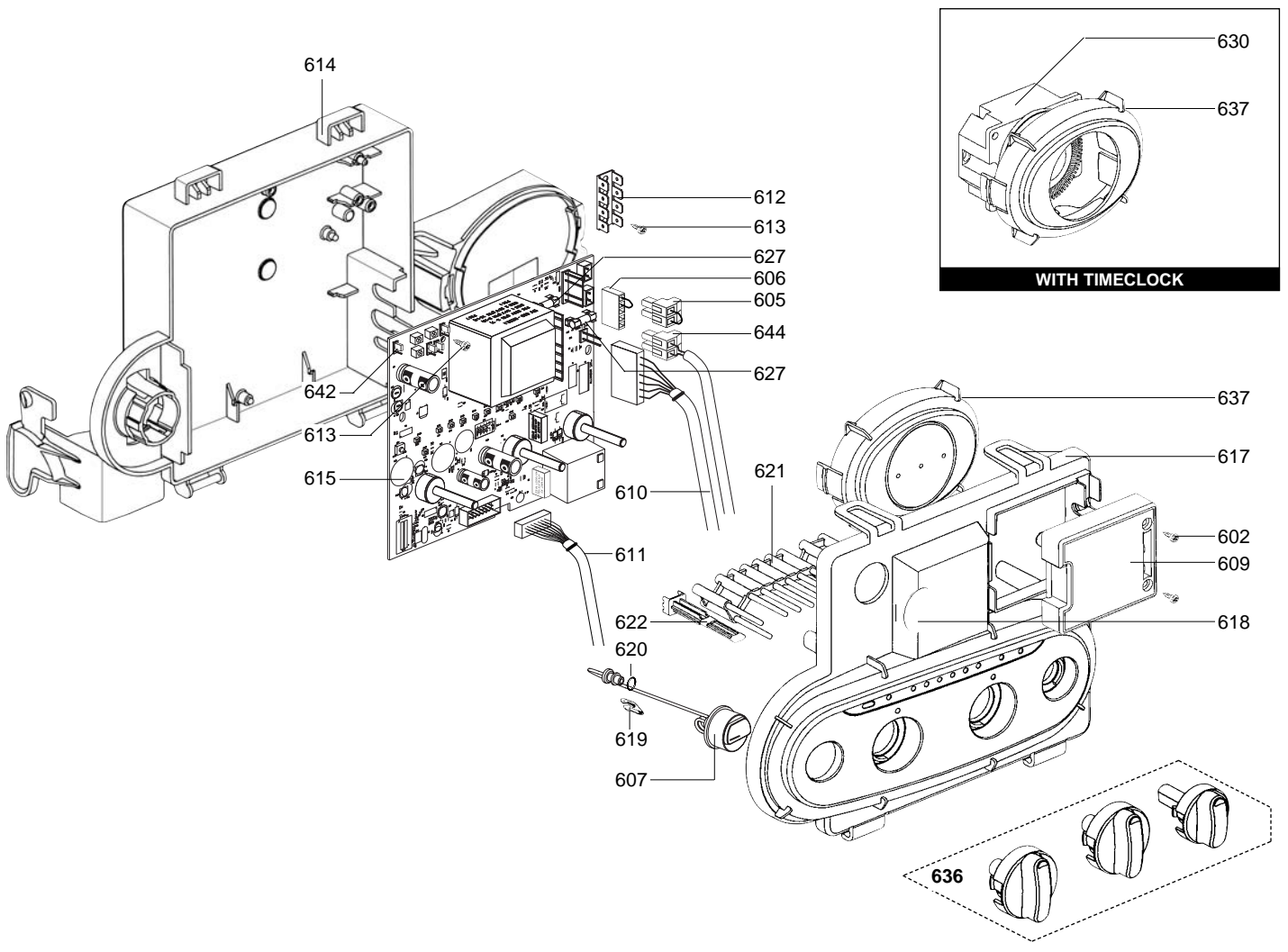
Key N°	Description	G.C N°	Manf. Pt. N°	Type	80 / 100			Manf. date	
					B.C. SF	B.C. SF	B.C. SF	from	to
					(with/without/without)	(with/without/without)	(with/without/without)		
500	HYDRAULIC BLOCK								
501	HEAT EXCHANGER TUBE		61302004	•	•	•			
502	CLIP		61010012-02	•	•	•			
504	"O" RING D: 17-4	E00604	60024164-51	•	•	•			
505	MOTOR - THREE-WAY VALVE		61302410	•	•	•			
506	PLUG	E23554	61002490	•	•	•			
507	"O" RING D: 13.6-2.7	366048	60024164-18	•	•	•			
508	PIN		61016207	•	•	•			
509	VALVE		61302411	•	•	•			
510	THERMISTOR TEMP. SENSOR	277834	61000733	•	•	•			
511	TEMPERATURE SENSOR CLIP	277835	61002083	•	•	•			
514	WATER / WATER HEAT EXCHANGER		61302409	•	•	•			
515	SCREW CLX M 5-20		61017600	•	•	•			
516	CLIP	277838	61010609	•	•	•			
518	LEFT HAND HYDRAULIC BLOCK		61301956	•	•	•			
520	FLEXIBLE PIPE		61301998	•	•	•			
522	CLIP	277841	61010005	•	•	•			
523	"O" RING D: 18.4-2.7	277831	60024164-22	•	•	•			
524	"O" RING D: 15.6-1.78		61009834-49	•	•	•			
526	"O" RING D: 8.9-2.7	E00605	61009834-14	•	•	•			
535	PRESSURE RELIEF VALVE KIT		60081980	•	•	•	...	01/04	
	PRESSURE RELIEF VALVE KIT		61400225	•	•	•	02/04	...	
536	PRESSURE RELIEF VALVE		61301927	•	•	•			
545	DIAPHRAGM		60081977	•	•	•			
546	"O" RING D: 2.9-1.78		60024164-54	•	•	•			
547	GAS FILTER	263545	60037309	•	•	•			
551	GAS TUBE		61302005	•	•	•			
553	WATER FILTER		61301924	•	•	•			
554	PRESSURE SENSOR 0.8 B		61003495	•	•	•	...	01/04	
	PRESSURE SENSOR 0.8b		61310364	•	•	•	02/04	...	
555	SHEET GASKET D: 8.5-4.1-1.5	E23613	60061852-12	•	•	•			
558	PUMP LEAD (2 SPEEDS)		61306995	•	•	•			
559	GASKET KIT		61304618	•	•	•			
560	AIR SEPARATOR HEAD ASSEMBLY		61304608	•	•	•			
561	RIGHT HAND HYDRAULIC BLOCK		61301936	•	•	•			
562	PLUG		61016752	•	•	•			
563	CLIP	277848	61002406	•	•	•			
564	"O" RING D: 24.6-3.6		61009834-30	•	•	•			
567	CLIP	366887	60030898-03	•	•	•			
569	LIP SEAL	277860	61002249	•	•	•			
570	TUBE : PUMP TO HEAT EXCHANGER		61305707	•	•	•	...	01/04	
	TUBE : PUMP TO HEAT EXCHANGER		61302003	•	•	•	02/04	...	
571	"O" RING D: 16-1.9	E00615	61009833-37	•	•	•			
572	PUMP + AIR SEPARATOR 15/50		61301964	•	•	•			
	PUMP + AIR SEPARATOR 15/60		61303461	•	•	•			
573	CAPACITOR	E00616	61000652-10	•	•	•			
575	BY-PASS		61301960	•	•	•			
578	"O" RING D: 5.7-1.9	366123	60024164-10	•	•	•			
583	CLIP		61301900	•	•	•			
584	NUT		61012886	•	•	•			
585	CLIP		61303463	•	•	•			
586	PLUG		61304522	•	•	•			
589	NUT M 5		61016604	•	•	•			
590	MICRO SWITCH		61301904	•	•	•			
592	WATER CONTROL 8L/MN		61301952	•	•	•			
	WATER CONTROL 10L/MN		61305290	•	•	•			
593	"O" RING D: 20.1-1.6		60024164-58	•	•	•			
594	FLOW REGULATORE 8L/MN (RED)		61017288-08	•	•	•			
	FLOW REGULATORE 10L/MN (WHITE)		61017288-10	•	•	•			
595	"O" RING D: 25-2.4	366914	60024164-32	•	•	•			
596	PIN		61308332	•	•	•			
597	GASKETS SET - HYDRAULIC BLOC		60081985	•	•	•			

B

BRITONY COMBI SE - From 05/2002 to ...

B

BRITONY COMBI SE - From 05/2002 to ...



Key N°	Description	G.C N°	Manf. Pt. N°	Type	80			100		Manf. date	
					B.C. SE	B.C. SE	B.C. SE	BRITONY COMBI SE		from	to
					FF	FF	FF				
600	ELECTRICAL BOX										
602	SCREW FX90 L:16		61020510		•	•	•				
605	CONNECTOR		61302101		•	•	•				
606	PROGRAMMER CABLE	E23587	61013091			•					
	CONNECTOR		61303697		•		•				
607	PRESSURE GAUGE		61303159		•	•	•				
609	CONNECTOR COVER		61302248		•	•	•				
610	FAN CABLE		61302017		•	•	•				
	CONNECTOR		61305269		•	•	•				
611	WIRE ASSEMBLY		61305711		•	•	•				
612	CONNECTION STRIP	277678	61002725		•	•	•				
613	TAPPING SCREW CBL SX L:10		61020509		•	•	•				
614	BASE - BOX		61302237		•	•	•				
615	PRINTED CIRCUIT BOARD		61308723		•	•	•				
617	ELECTRICAL BOX COVER		61303266		•	•	•				
618	PLUG	E00269	61011316		•	•	•				
619	CLIP	277848	61002406		•	•	•				
620	"O" RING D: 5.7-1.9	E00621	61009834-10		•	•	•				
621	TRANSMITTER OF LEDS		61302245		•	•	•				
622	IGNITION PUSH ROD		61302246		•	•	•				
627	FUSE 250V 0.125A TEMPORIZED		61000955		•	•	•				
	FUSE 250V 2A - TEMPORIZED	277883	61003456		•	•	•				
	FUSE 250V 1.25A - TEMPORIZED	277884	61003635		•	•	•				
630	TIMECLOCK		61303653				•				
636	KNOBS SET		60081979		•	•	•				
637	HOLE PLATE (WITH HOLE)		61303633				•				
	HOLE PLATE (WITHOUT HOLE)		61303634		•		•				
642	BLACK SHUNT		61400030		•	•	•				
644	FEEDER		61302102		•	•	•		...	01/02	
	FEEDER		61308031		•	•	•		02/02	...	

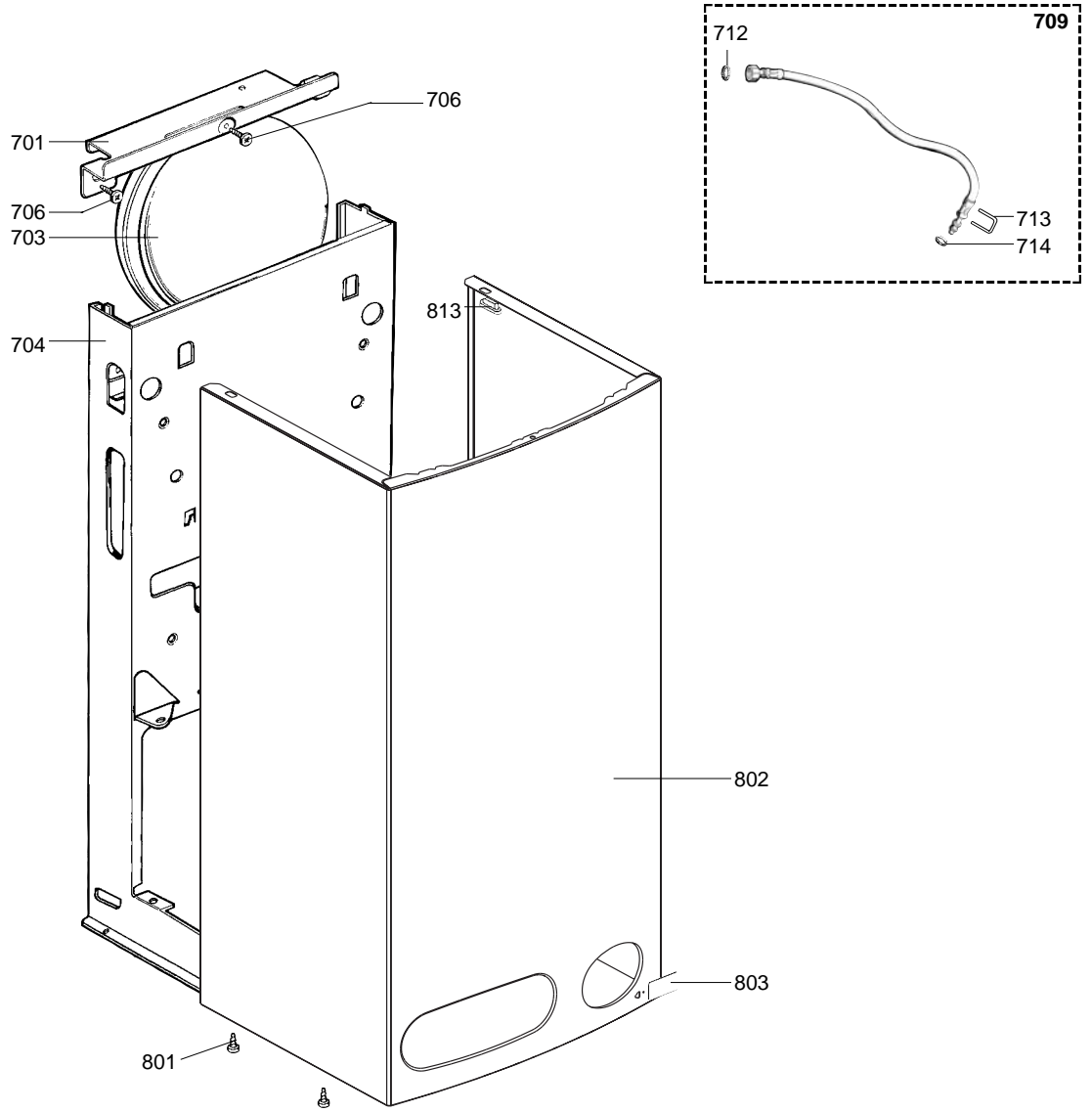
B

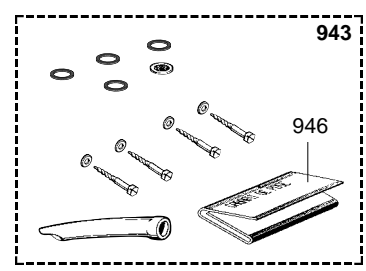
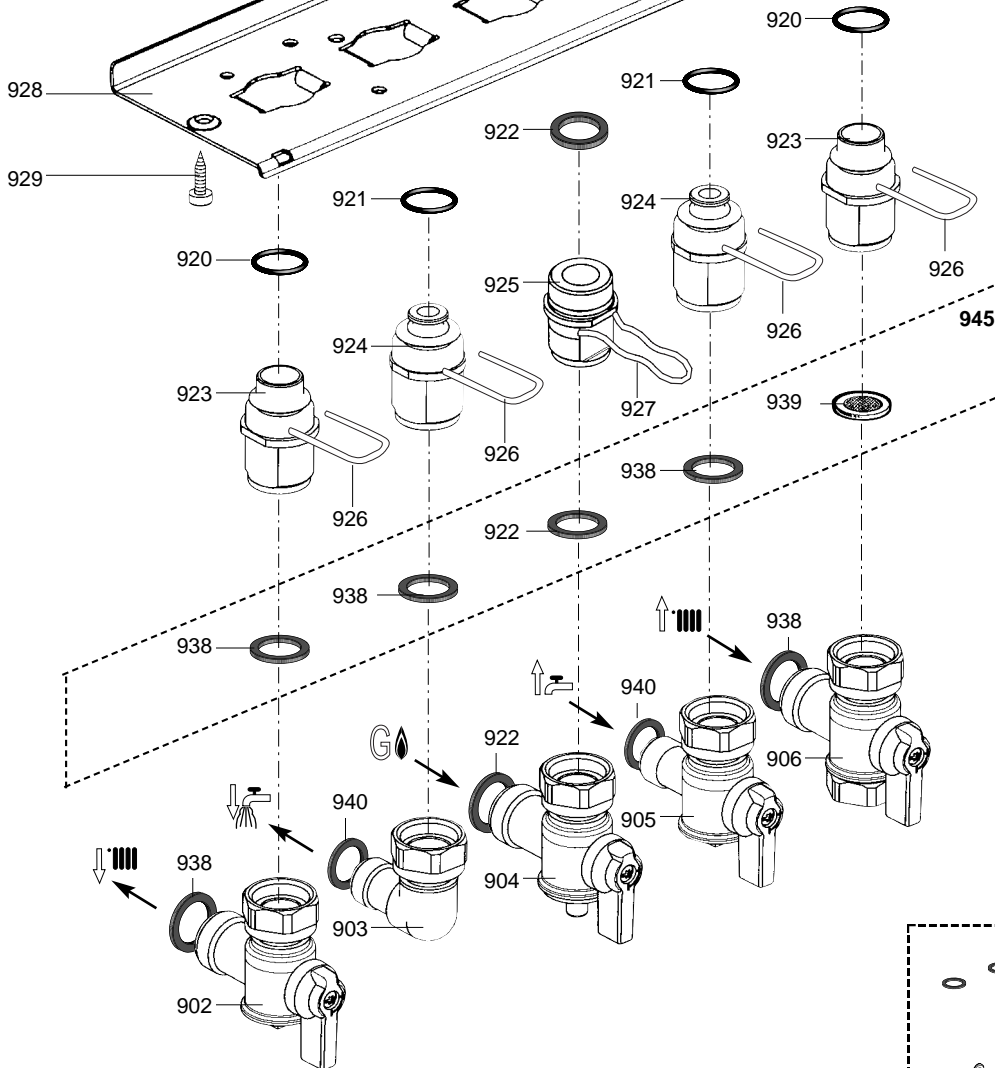
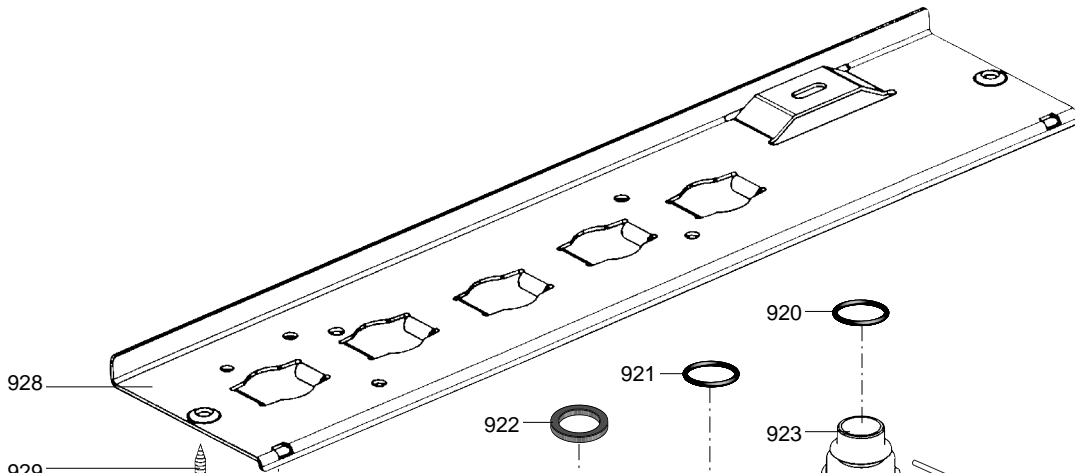
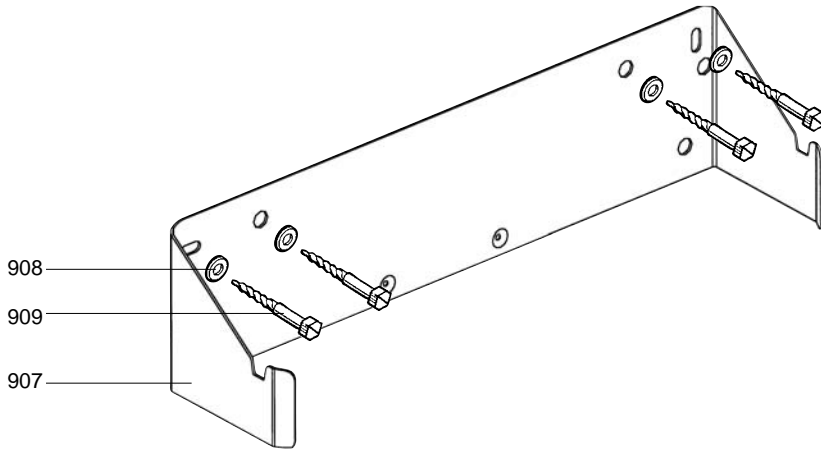
BRITONY COMBI SE - From 05/2002 to ...

700 CHASSIS
800 FRONT CASE

B

BRITONY COMBI SE - From 05/2002 to ...





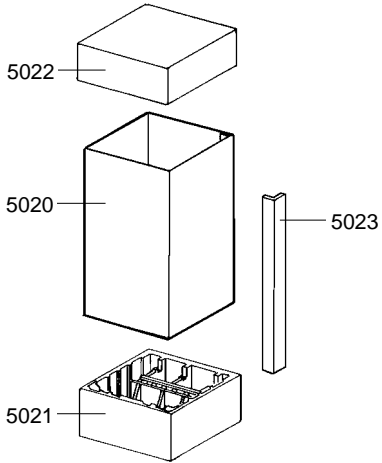
BRITONY COMBI SE - From 05/2002 to ...

Key N°	Description	G.C N°	Manf. Pt. N°	Type	80			100		Manf. date	
					B.C. SF	B.C. SF	B.C. SF	B.C. SF	B.C. SF	from	to
					(with/without/without)	(with/without/without)	(with/without/without)	(with/without/without)	(with/without/without)		
900	JIG PLATE & PIPE FITTING				FF	FF	FF				
902	WATER FLOW & RETURN SERVI. TAP		61303534		•	•	•				
903	HOT WATE CONNECTION		61303532		•	•	•				
904	GAS SERVICE TAP		61303533		•	•	•				
905	COLD WATER TAP		61303535		•	•	•				
906	WATER RETURN SERVICE TAP		61312121		•	•	•				
907	HOOING BRACKET	E23593	61012457		•	•	•				
908	WASHER D: 14.2-7.2-1.2	366764	60005369-03		•	•	•				
909	WOOD SCREW	366017	60025617-03		•	•	•				
920	"O" RING D: 17-4	E00604	60024164-51		•	•	•				
921	"O" RING D: 10.5-2.7	366275	60024164-15		•	•	•				
922	SHEET GASKET D: 24-18.2-1.5	265091	60022835-01		•	•	•				
923	CONNECTION		61301965		•	•	•				
924	CONNECTION		61302474		•	•	•				
925	CONNECTION		61303071		•	•	•				
926	PIN		61302332		•	•	•				
927	PIN		61305179		•	•	•				
928	HYDRAULIC PLATE		61301793		•	•	•				
929	TAPPING SCREW CBLX D: 6.3-13	277865	61010648		•	•	•				
938	SHEET GASKET D: 24-17-1.5	265389	60061855-19		•	•	•				
939	WATER FILTER	263589	60039803		•	•	•				
940	WASHER D: 18.4-12.2-1.5	265432	60061855-14		•	•	•				
943	FITTING KIT		61307651		•	•	•				
945	GASKETS SET		61304273		•	•	•				
946	JIG PLATE		61305653		•	•	•				

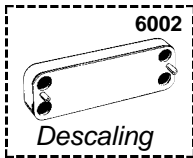
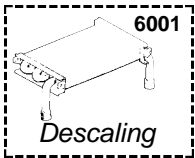
B

BRITONY COMBI SE - From 05/2002 to ...

5000 ACCESSORIES



6000 MAINTENANCE



Key N°	Description	G.C N°	Manf. Pt. N°	Type	80 / 100			Manf. date	
					B.C. SE (with/without/interlock)	B.C. SE (with/interlock)	BRITONY COMBI SE	from	to
5000	ACCESSORIES								
5001	CONVERSION KIT NAT > LPG		61015961		•	•			
	CONVERSION KIT NAT > LPG	E23660	61016143				•		
5002	CONVERSION KIT LPG > NAT		61015959		•	•			
	CONVERSION KIT LPG > NAT	E23668	61016141				•		
5014	CONNECTION - FIRST FITTING	277922	61010429		•	•	•		
5020	SLEEVE		61018789		•	•	•		
5021	CHOCK		61303480		•	•	•		
5022	CHOCK - DRAUGHT DIVERTER SIDE	E00655	61010080		•	•	•		
5023	SIDE CHOCK	E00656	61010081		•	•	•		
5040	INSTRUCTIONS		61304415		•	•	•		
5050	ANTI-THEFT KIT		61016770		•	•	•		
5053	D.H.W. EXPANSION VESSEL KIT		61305469		•	•	•		
6000	MAINTENANCE								
6001	DESCALING INTERFACE/HEAT EXCH	E23685	61014100		•	•	•		
6002	DESCALING INTERFACE/WATER EXCH		61011075		•	•	•		
6003	FILLING TEST KIT		61305402		•	•	•		

