



I N S T A L L E R G U I D E

MODEL 495
Radiant / Convector
Gas Fire
HIGHLIGHT OXYSAFE

Code 4950 - Charcoal Case with Coals
Code 4951 - Autumn Brown Case with Logs

Please keep in a safe place for future reference

Please leave this Installer Guide with the user

These appliances are for use with natural gas G20)

These appliances are for use in the United Kingdom (GB) and the Republic of Ireland (IE) only.

C U S T O M E R C A R E

This Installer Guide gives sufficient details to enable the appliance to be installed and maintained. If further information is required, our **Valor AdviceLine** will be pleased to help.

Please telephone 0345 626341 (Local call rates apply)

C O N T E N T S

	Page
Specification	4
Installation Conditions	4
Unpacking	6
Closure Plate Fitting	7
Flue Pull Check	7
Fire Preparation	7
Ignition Spark Check	8
Fire Installation	8
Gas Supply Connection	8
Fitting Ceramic Fuel Effect Pieces	9
• Coal Effect	9
• Log Effect	12
Operation Check	13
Reference Pressure Check	13
Spillage Check	14
Outer Case Fitting	14
Final Checks & Owner Instruction	15
Servicing	16
• Window Unit	16
• Outer Case	16
• Fuel Effect	16
• Rear Burner Tube	16
• Front Burner Tube	16
• Electrode	16
• Pilot & Cross Lighting Burner	17
• Pilot Jet	17
• Gas Tap	17
• Piezo Generator	17
• Greasing Tap	17
• Flue Switch	18
• Controls & Pipework Manifold	18
• Thermocouple	18
• Burner Injectors	18
• Short Spares List	19

1 SPECIFICATION

- 1.1** No component on this appliance is manufactured from asbestos or asbestos related products.
- 1.2** The appliance data badge is on the inner face of the back panel at the left side. There is also a label giving the serial number on the right side of the outer case near the bottom.

1.3 Appliance data:-

The overall dimensions are shown in Fig.1

Gross Weight: 28.27kg

Net Weight: 25.37kg.

Burner type: Aerated front and rear simplex tubes with combined pilot and cross lighting burner.

Gas Type: Natural (G20)

Gas Connections: An RP1/4 (1/4in. B.S.P) elbow connector is provided for connection to the appliance inlet pipe located at the centre back.

Gas input(Max. gross): With Logs - 5.80kW/h. With Coals 5.5kW/h

Injectors: Front burner - Bray Cat 18 Size 220

Rear burner - Bray Cat 77 Size 170

Pilot - Bray Cat 960 Size 25

Pressure Setting Cold: 17.6 ± 0.75 mbar (7.1 \pm 0.3in.w.g)

Aeration Adjustment: None required

Control Tap: Four position fitted with flame supervision device and integral piezo-electric igniter.

Pilot Unit: Right side of firebox. Combined Pilot jet, thermocouple sensor and Electrode.

Flue switch: Heat activated. At right side of downdraught diverter.

2. INSTALLATION CONDITIONS

2.1 The installation must be in accordance with these instructions.

For the user's protection, in the United Kingdom it is the law that all gas appliances are installed by competent persons in accordance with the current edition of the Gas Safety (Installation and Use) Regulations. Failure to install the appliance correctly could lead to prosecution. The Council for the Registration of Gas Installers (CORGI) requires its members to work to recognised standards.

2.2 In the United Kingdom the installation must also be in accordance with:

- All the relevant parts of local regulations.
- The current edition of the Building Regulations issued by the Department of the Environment and the Welsh Office or the Building Standards (Scotland) (Consolidation) Regulations issued by the Scottish Development Department.
- All relevant codes of practice.
- The relevant parts of the current editions of the following British Standards:-
 - BS 715
 - BS 1251
 - BS 1289 Part 1
 - BS 1289 Part 2
 - BS 4543 Part 2
 - BS 5440 Part 1
 - BS 5440 Part 2
 - BS 5871 Part 1
 - BS 6461 Part 1
 - BS 6891

In the republic of Ireland the installation must also conform with the relevant parts of:

- The current editions of:-
 - IS 813
 - ICP3
- All relevant national and local rules in force.

2.3 The flue must have a minimum equivalent height of 3m.

The flue must serve only one fireplace.

The flue must be clear of any obstruction.

Any damper or register plate should be removed. If removal is not possible without carrying out structural work, the damper or plate may be left in the flue **provided that it is permanently secured in the fully open position.**

If the appliance is intended to be installed to a chimney which was previously used for solid fuel, the flue must be swept prior to installation

The flue must be completely sealed so that combustion products do not come into contact with combustible materials outside the chimney.

The flue and fireplace interior must be clear of debris, brick up etc.

Suitable flues are:-

- a) 225mm x 225mm conventional brick flue. If a liner is used it must be 127mm (5in.) minimum diameter, The liner must be sealed to the surrounding area above the fireplace opening and to the top of the chimney with an approved terminal being used.
- b) A precast concrete or clay flue block system conforming to BS1289. This appliance is suitable for installations conforming to older versions of BS1289 as well as the current edition. The flue blocks must have a minimum width not less than 63mm and a cross-sectional area not less than 13,000mm². Older editions of BS1289 required a cross-sectional area of 13,000mm². The current revision of the standard requires 16,500mm². This appliance is suitable in both cases.
- c) A flue pipe 127mm (5in.) minimum diameter of - see B.S 6461 Part 1 for suitable materials. Metal flue pipes and flue boxes must comply with B.S 715.

2.4 In the United Kingdom, no special ventilation bricks or air vents are required in the room for this appliance. In the Republic of Ireland, ventilation must comply with the rules in force.

2.5 Any air supply entering the fireplace from below floor level must be completely sealed off.

2.6 This fire is only suitable for hearth mounting. The hearth must be non-combustible and at least 760mm wide x 300mm deep. The non-combustible hearth material must be at least 12mm thick. Its top surface should be preferably 50mm above floor level in order to discourage the placing of carpets or rugs over it.

2.7 The fireplace opening must be within the following dimensions:-

(a) Conventional fireplace:

Width: Max. 457mm
Min. 305mm
Height: Max. 650mm
Min. 508mm
Min. Depth: 165mm

(b) Pre-cast flue:

Width: Max. 457mm
Min. 305mm
Height: Max. 650mm
Min. 610mm
Min. Depth: 115mm

(c) Metal Flue box:

Width: Max. 457mm
Min. 380mm
Height: Max. 650mm
Min. 518mm
Min. Depth: 180mm

If a panel has to be fitted to the fireplace to meet the required opening sizes, it must be made of a non-combustible material.

2.8 There must be a flat area 10mm minimum width outside each side and above the top of the closure plate to enable the sealing tape to be properly secure. Note that the closure plate can be cut if necessary - see section 4.

2.9 This fire can be fitted to a purpose made proprietary class "O" - 100 C or 150 C surround.

2.10 The flue spigot and any spigot extension must be capable of passing through the closure plate by a least 25mm with a minimum clearance of 50mm between its open end and the nearest obstruction. There must also be a minimum clearance of 165mm between the back of the closure plate and the back of the catchment space (Fig.2). The catchment space below the flue spigot must extend at least 250mm downwards measured from the bottom of the flue spigot (Fig.2).

2.11 If the fire is to be fitted against walls with combustible cladding, the cladding must be removed from the area shown in Fig.3.

2.12 Please note that soft wall coverings (e.g. embossed vinyls etc.) are easily affected by heat. They may, therefore, scorch or become discoloured when close to a heating appliance. Please bear this in mind when installing.

2.13 A minimum side clearance of 150mm measured from the case rear sides must be maintained on all installations to allow easy operation of the control knob and to give access for removing the outer case when servicing - see Figure 1.

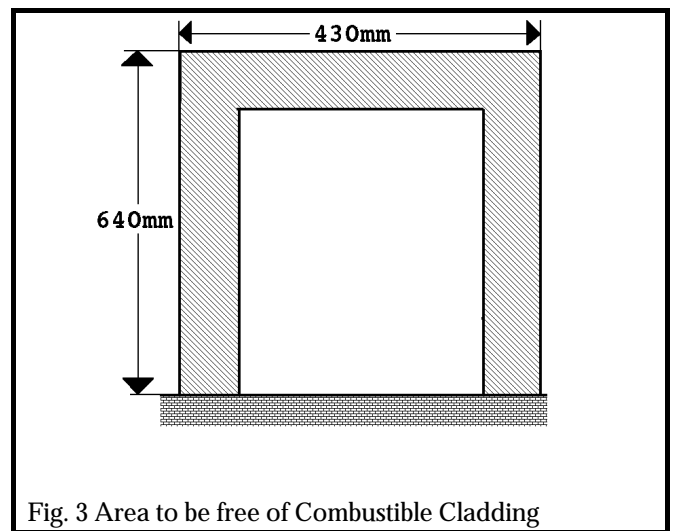
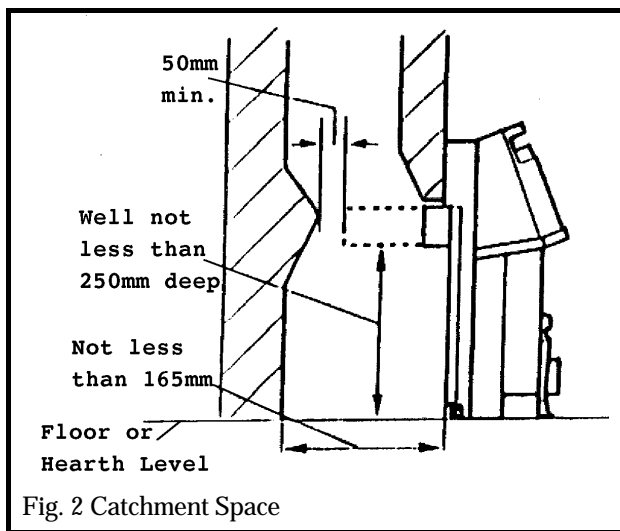
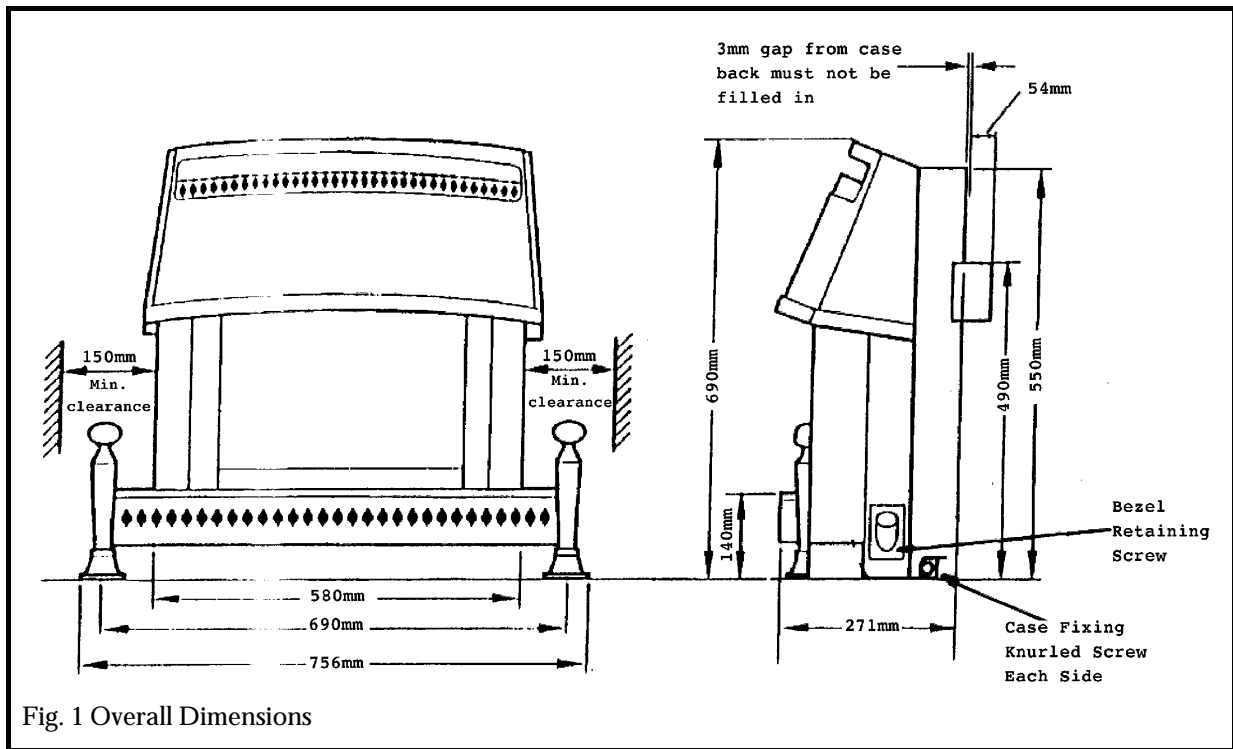
2.14 The space between the fireplace front face and the back of the outer case must not be filled in - see figure 1.

2.15 A combustible shelf may be fitted over the appliance provided that the following conditions are satisfied:-

(a) In the case of a shelf not more than 150mm deep, there is at least 75mm clearance above the extreme top surface of the fire.

(b) For a shelf of greater depth there is an additional clearance of 12.5mm for each extra 25mm of added shelf depth.

2.16 There is no restriction on the depth of non-combustible projections but a space of at least 50mm should be allowed above the top of the appliance to enable removal of the outer case.



3. UNPACKING

The carton contains the following:-

- 1 Fire assembly
- 1 Set of ceramic fuel effects
- 1 Window trim
- 1 Closure plate
- 1 Flue spigot
- 1 Pack fixing screws
- 2 Plastic Caps for foot screws
- 1 Smoke match tube.

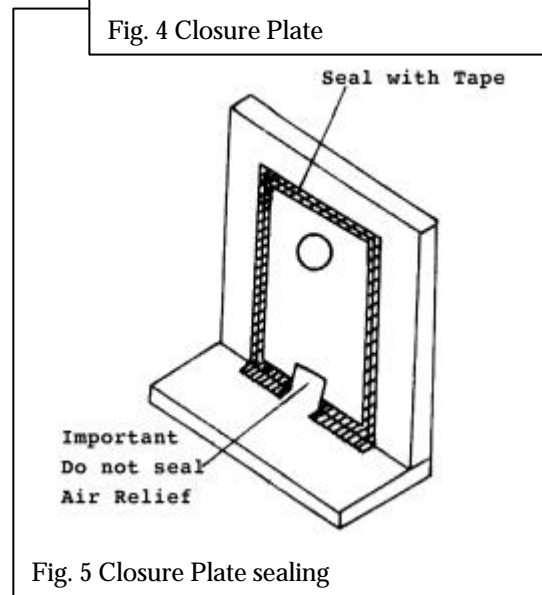
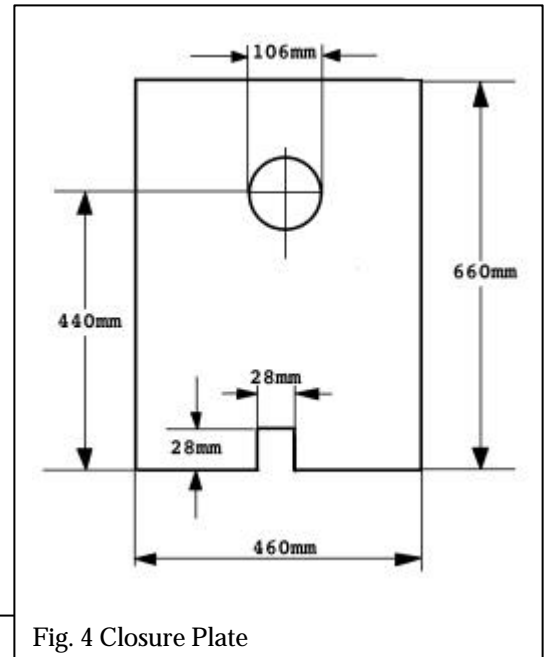
Remove all the items carefully to prevent damage. Some items may be contained in the packaging fittings - Examine the packaging carefully before discarding. Check that all the items are present and undamaged.

4. FIT THE CLOSURE PLATE

The closure plate (Fig 4) must be fitted and sealed to the opening using a suitable heat resistant material. The air relief opening at the bottom of the closure plate must not be reduced in size by cutting or covered by sealing tape etc. (see Fig.5). If necessary cut straight across the top of the closure plate so that it overlaps the opening by 25mm.

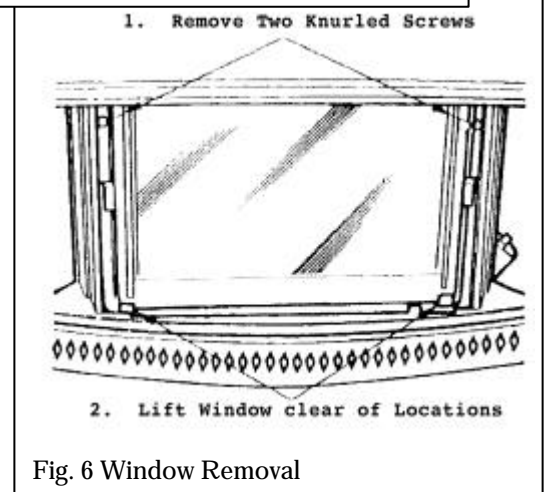
5. CHECK FOR FLUE PULL

Apply a lighted match or smoke match to the flue spigot opening in the closure plate and observe the smoke. If there is a definite flow into the opening, proceed with fitting the fire. If there is not a definite flow into the opening, pre-heat the chimney for a few minutes and re-test for flow. If there is still no definite flow, the chimney may require attention. **Do not fit the fire - seek expert advice.**



6. PREPARE THE FIRE

- 6.1 Stand the fire upright.
- 6.2 Remove the window unit by detaching the knurled screws at the sides near the top. Lift the window unit up to clear locations at the bottom and place carefully aside (see Fig.6)
- 6.3 Remove the control knob by pulling clear of the gas tap spindle
- 6.4 Detach the control bezel by removing the knurled screw below the control knob opening (see figure 1).
- 6.5 Remove the knurled screws at the case sides (see Fig.1)
- 6.6 Pull the bottom of the case forwards. Lift the case upwards to clear the top rear brackets. Then lift forwards to clear. Place carefully aside.
- 6.7 Fit the flue spigot to the back of the fire using the four screws provided. *Note: No spigot restrictor is necessary for this appliance.*



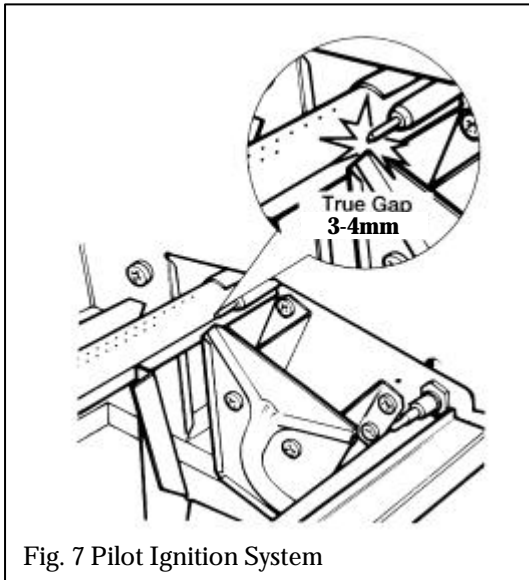


Fig. 7 Pilot Ignition System

7. CHECK IGNITION SPARK

The pilot electrode is situated at the right side of the firebox above the rear port of the pilot and cross lighting burner - see figure 7.

Check that there is an ignition spark at the pilot port.

7.1 Place the control bezel over the gas tap spindle and locate the two pegs in the holes in the gas tap bracket. The indicator mark on the bezel will allow the rotation of the control knob at each setting to be checked while the outer case is detached.

7.2 Fit the control knob over the gas tap spindle.

7.3 To initiate a spark, depress the control knob. While keeping it depressed, turn to IGN position. The spark should be produced while turning.

7.4 If there is no spark produced during several attempts, check that the electrode lead is properly connected to the electrode and that the spark gap is correct. Replace parts, if necessary, as described in the relevant servicing sections of this manual.

8. INSTALL THE FIRE

8.1 To prevent damage to the hearth, the fire is supplied with two plastic caps (in the accessory pack). Fit these caps over the heads of the levelling screws.

8.2 Place the fire centrally on the hearth ensuring that the spigot lines up with the spigot hole in the closure plate and gently slide into place. The spigot must enter the closure plate to a depth of at least 25mm.

8.3 If the fire is fitted to a recessed fireplace, an extension flue spigot up to a maximum total length of 125mm, measured from the back of the fire, may be used. This must be a tight fit over the flue spigot and be secured by at least two self tapping screws.

8.4 Level the fire by slackening the two lock nuts and turning the levelling screws in the front feet up or down as required while they bear on the hearth. When the fire is level and square to the wall, retighten the lock nuts.

9. CONNECT THE GAS SUPPLY

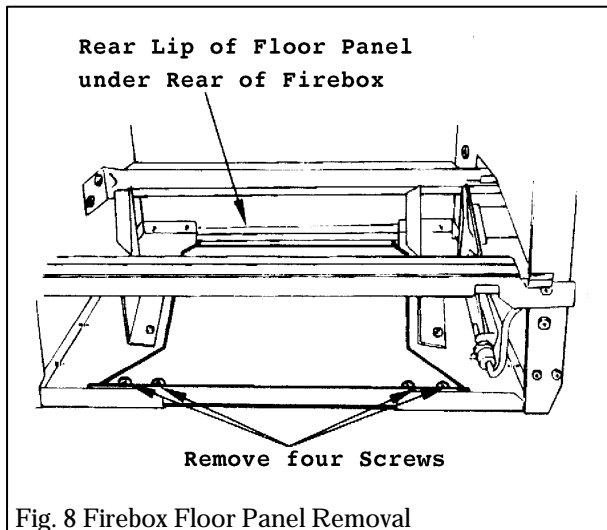


Fig. 8 Firebox Floor Panel Removal

9.1 To gain access to the appliance connection point, the centre panel in the firebox floor must be removed by unscrewing four screws and lifting it clear (see fig. 8).

9.2 Prepare a suitable gas supply point adjacent to the fire.

9.3 Provision for isolation of the gas supply upstream of the fire must be provided for safety and servicing.

9.4 The supply pipe must be of rigid material (e.g. copper). A flexible connection must not be made.

9.5 The appliance inlet pipe is fitted with an RRP1/4 (1/4in.B.S.P) elbow connector the connection to the supply pipe.

9.6 After connecting the supply line to the appliance, pressure test the installation pipework for gas soundness in accordance with the current edition of B.S 6891.

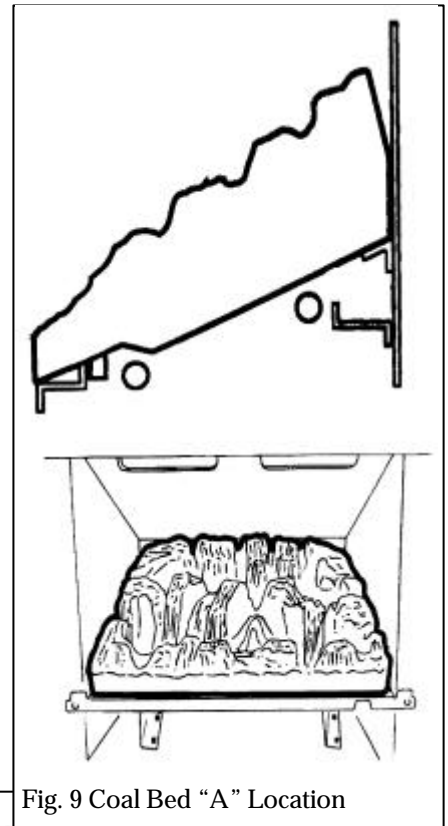
9.7 Refit the firebox floor panel.

10 INSTALL THE CERAMIC FUEL EFFECT PIECES

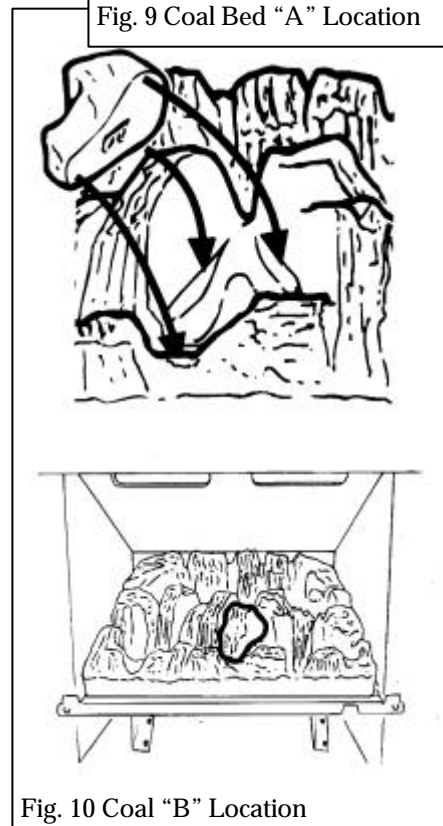
10. Appliance code no. 4950 is supplied with coal fuel effect pieces - see section 10.1
Appliance code no. 4951 is supplied with log fuel effect pieces - see section 10.2

10.1 Coal effect installation:

10.1.1 Locate the coal bed (embossed "A" on its underside) in the firebox. The back face should be against the rear of the firebox. The rear underside of the coal bed should rest on the ledge at the back of the firebox. The vertical face of the recess at the bottom front of the coal bed should be behind the black front cross rail of the firebox. The extreme front of the coal bed should sit on the top edge of the cross rail - see figure 9.



10.1.2 Position the front centre coal (embossed "B" on its underside) in the well in the coal bed marked "B" - see figure 10. The narrow "nose" should locate in the "U" shaped valley at the front of the coal bed. The "nose" should be behind the vertical ledge at the front of this valley and should not rest on top of it. The bottom of the coal should rest on the ridges at each side of the location well marked "B" in the coal bed.



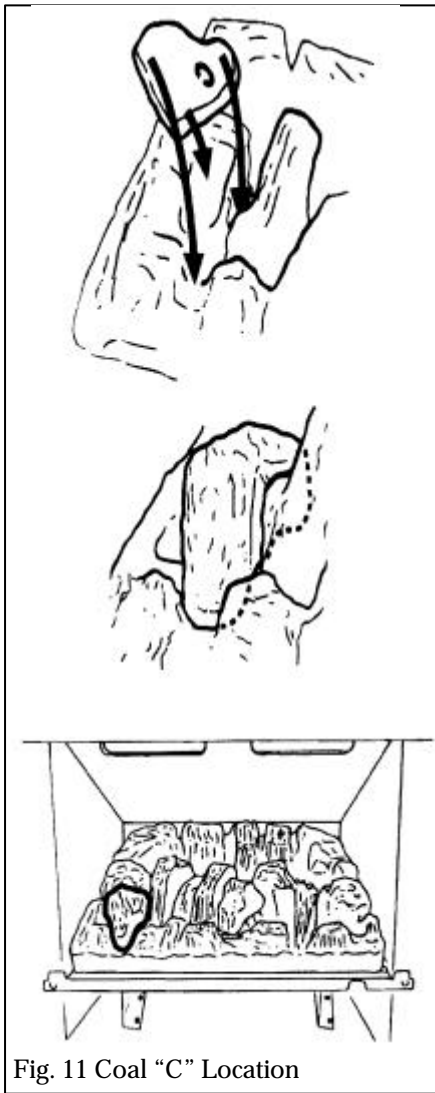


Fig. 11 Coal "C" Location

10.1.3 Position the front left coal (embossed "C" on its underside) in the well in the coal bed marked "C" - see figure 11. The narrow "nose" should locate in the "U" shaped cut-out at the front left of the coal bed. The bottom of the coal should rest on the ridges at each side of the location well marked "C" in the coal bed. The 'ear' at the rear right of coal "C" should rest in the depression in the ridge at the right side of the wall.

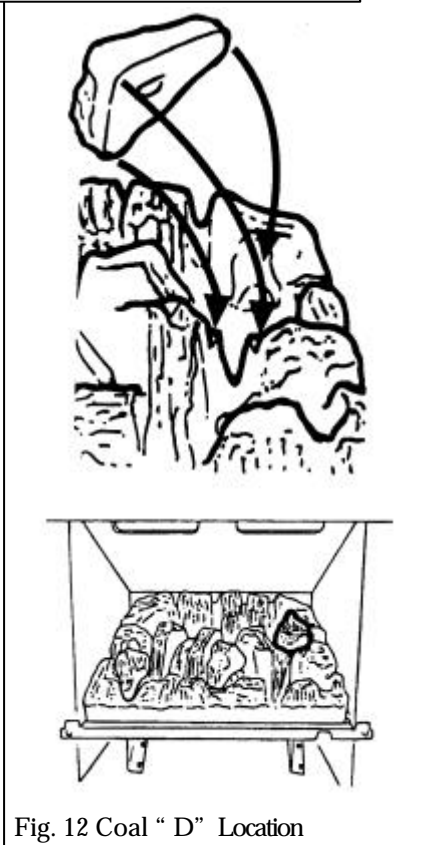


Fig. 12 Coal "D" Location

10.1.4 Position the rear right coal (embossed "D" on its underside) in the well in the coal bed marked "D" - see figure 12. The pointed rear of the coal should rest on the ledge in the "V" cut-out at the rear of the well in the coal bed marked "D". The other two corners of the coal should rest on the ledges at the front and right side of the well in the coal bed.

10.1.5 Position the rear left coal (embossed "E" on its underside) - see figure 13. The groove underneath coal "E" should locate over the narrow ridge (also embossed "E") situated towards the rear left of the coal bed. The left side of coal "E" should drop behind the high point at the front of the vertical ridge. The back edge of coal "E" should touch the front face of the back line of coals in the coal bed.



Fig. 13 Coal "E" Location

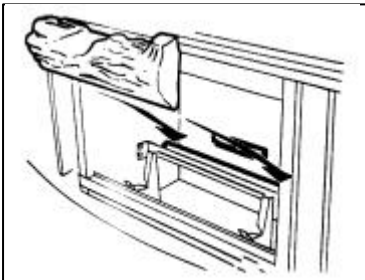


Fig. 14 Rear Log Location

10.2 Log Effect Installation

10.2.1 Place the rear log (the log with only one short stub) in the retaining cradle behind the rear burner tube with its back against the firebox back wall (Fig.14). The short stub should be at the top right of the log. Centre the log so that the gap to the firebox walls is the same at each side.

10.2.2 Place the front log on the retaining cradles between the rear and front burner tubes (Fig.15). Centre the log so that the gap to the firebox walls is the same at each side.

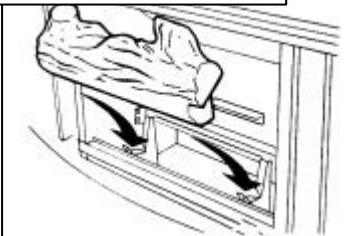


Fig. 15 Front Log Location

10.2.3 Place the cross log in position (see Fig.16). The front of this log is indicated by the letter "F" embossed on its underside. Make sure that the front of the log is seated inside the hollow in the front log and is not raised in front of it.

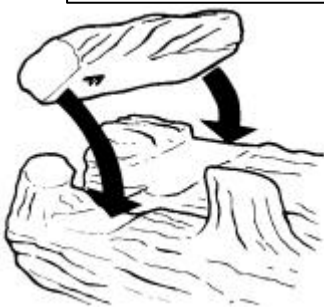


Fig. 16 Cross Log Location

10.3 Replace the window unit. Locate its bottom edge in the support channels at the firebox sides. Refix the knurled screws at the sides near the top.

11. CHECK APPLIANCE OPERATION

The Flame Supervision & Blocked Flue Monitoring System

The pilot/cross lighting unit incorporates a system which will automatically shut off the gas supply if the flame goes out. The appliance also incorporates a system which will shut off the gas supply if the flue is faulty. If the flue is faulty, the hot products of combustion will pass over and actuate a heat sensitive switch located at the right side of the downdraught diverter. When actuated the switch will shut off the gas supply.

If the gas supply is shut off due to activation of any part of the above system, the appliance must not be used until the cause is identified and corrected.

This monitoring system must not be adjusted, bypassed or put out of operation.

This monitoring system, or any of its parts, must only be exchanged using Valor Authorised parts.

11.1 Depress the control knob. Turn anticlockwise until resistance is felt just before the piezo electric ignition is activated. Keep the knob depressed for a few seconds to purge air from the gas pipes. When it is judged that the air has been purged, keep the knob depressed and turn to the IGN position. A spark should be produced which should ignite the pilot and cross lighting burner.

11.2 When ignition has been achieved, keep the control knob depressed for approximately five seconds to allow the thermocouple probe to warm up then release it. If the burner does not remain alight, ensure that the air has been purged.

11.3 Check that the burner is correctly alight at all settings as shown in the following table:-

Control Knob Setting	Burner Appearance
IGN	Pilot and cross lighting burner only on.
1	Pilot and cross lighting burner on. Front burner on low.
2	Pilot and cross lighting burner on. Front burner on low. Rear burner on high.
3	Pilot and cross lighting burner on. Front burner on high. Rear burner on high.

11.4 Turn off after checking. To turn off, push the control partially in, turn clockwise to OFF and release the knob. If any resistance is experienced at the IGN position, release the knob before turning to OFF.

Note: If the fire is turned off while hot, wait three minutes before relighting.

12. CHECK THE REFERENCE PRESSURE

The burner aeration is non adjustable. The appliance is preset to give the correct heat input on Natural Gas at 20 mbar (8in. w.g) inlet pressure and no further adjustment is necessary.

12.1 The burner pressure should be checked at the pressure test point located on the pipe connecting the gas tap to the front main burner. The pressure check should be carried out using a calibrated pressure gauge after removing the pressure test sealing screw. The fire should be alight and the control knob should be at setting 3.

12.2 The pressure setting should be within the limits shown in the appliance specifications - see section 1 in this manual.

12.3 After checking the pressure, turn off the fire, remove the pressure gauge and replace the pressure test sealing screw. Test the sealing screw for gas soundness.

13. TEST FOR SPILLAGE

Place a smoke match in the tube. Insert the tube horizontally at the left side of the heater along the rear edge of the downdraught diverter up to the mark 100mm from the end of the tube

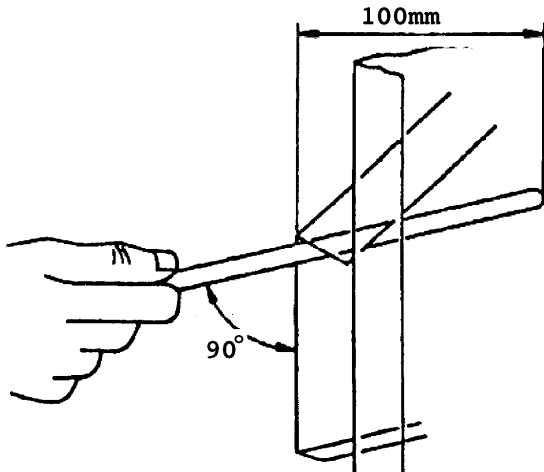


Fig. 17 Spillage Test

A spillage test must be made before the installed fire is left with the customer. Carry out the test in the following manner before refitting the outer case

(Note: This appliance is supplied with a special smoke match tube).

13.1 Close all doors and windows in the room containing the fire.

13.2 Light the fire and set the control to No.3 position.

13.3 After the appliance has been alight for five minutes test with a lighted smoke match inserted in the special tube supplied. Insert the tube horizontally at the left side along the rear edge of the downdraught diverter up to the mark on the tube (100mm from the end) - see figure 17.

13.4 The installation is satisfactory if smoke is drawn into the downdraught diverter.

13.5 If the smoke is not drawn in, leave for a further ten minutes and then repeat the test.

13.6 If the smoke is still not drawn in, remove the appliance and inspect the sealing of the closure plate. If this is satisfactory but spillage persists open all doors and windows and recheck as above.

If the test is then satisfactory it indicates that the room lacks sufficient ventilation. If still unsatisfactory, the chimney may require attention.

Disconnect the fire and seek expert advice.

13.7 If an extractor fan is installed in the same room as the

fire or a connecting room, check that spillage does not occur with the fan operating and all doors between the fan and the fire open.

14. FIT THE OUTER CASE

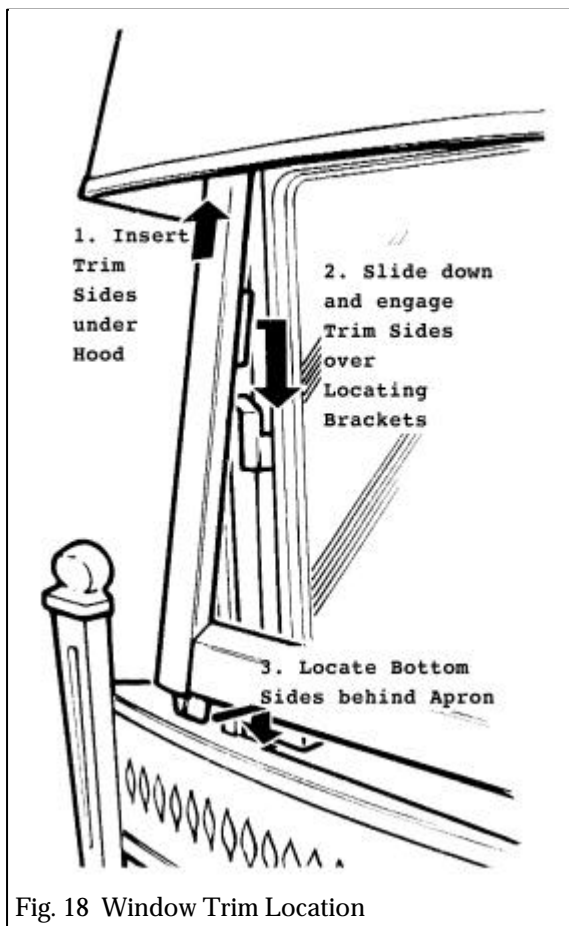


Fig. 18 Window Trim Location

14.1 Detach the control knob and control bezel.

14.2 Refit the outer case. Make sure that the flange at the top rear of the outer case locates over the top corner brackets on the back panel.

14.3 Secure the case at the bottom sides with the knurled screws previously removed.

14.4 Refit the control bezel using the knurled screw. Make sure that the two pegs on the bezel locate in the holes in the gas tap bracket.

14.5 Fit the control knob over the gas tap spindle. Push firmly on.

14.6 Make sure that the fuel effect pieces are not dislodged when refitting the case.

14.7 If necessary, adjust the brass dogs at the casing front sides by slackening the screws behind the dogs and moving the dogs until they rest on the hearth. Retighten the screws.

14.8 Fit the window trim. Insert the trim side channels under the bottom front of the hood. Slide them evenly upwards. Push the channels gently against the window frame sides so that the trim channels are fully upright. Slide the trim channels down so that the flanges on the inside of the channels locate fully over the angled brackets on the window frame sides - see figure 18.

15. MAKE FINAL CHECKS AND INSTRUCT USER

15.1 Recheck the operation of the fire on all control positions.

15.2 Instruct the user on the correct operation of the fire and especially point out the following:-

15.2.1 The fire has a pilot. To light the pilot, the control knob must be depressed and turned to the IGN position.

15.2.2 The pilot flame can be viewed to ensure that it is alight. Show the user where to view the pilot. Point out the illustration in the users instructions showing how to view the pilot.

15.2.3 Point out that the pilot can be left alight. Advise though, that the pilot consumes approximately 1/3kW and also that if the premises are to be left unoccupied for a lengthy period the pilot should be turned off.

15.2.4 Explain the full lighting and control position sequence and how to turn off.

15.3 Advise that the fire can be lit with a long match or taper if necessary.

15.4 Advise the user that the window will require cleaning periodically both outside and inside as described in the users instructions. Explain how to remove and replace the window unit and fuel effects for cleaning etc. Stress that cleaning should only be carried out when the fire is cold.

15.5 Advise that the fire may give off a slight odour while new. This is normal and it will disappear after a short period of use.

15.6 Advise the user that the bright metal firebox interior will colour with use and that this is quite normal.

15.7 Emphasise that if the glass panel is broken or damaged, the fire should be turned off and not used until the window unit is refitted with an authorised replacement.

15.8 Recommend that the appliance should be serviced and the chimney inspected by a competent person (*In the UK a CORGI registered person*) at least annually.

If the appliance is in premises in the United Kingdom occupied by a tenant, point out that by law a landlord must have any gas appliance, flue and pipework which is situated in a tenant's premises checked for safety at least every 12 months.

15.9 Hand over to the customer these instructions, the users instructions and the smoke match tube.

16. SERVICING

Turn off the gas and make sure that the appliance is cool before commencing any servicing.

Always test for gas soundness after refitting the appliance.

We recommend annual servicing including disconnecting the appliance, checking the catchment space behind the closure plate and clearing any debris. Reseal the closure plate to the wall as described in the installation instructions.

Always re-check for spillage after servicing the appliance.

16.1 To Remove the Window Unit

16.1.1 Detach the window trim by sliding its side channels upwards to clear the location brackets on the window frame sides. Pull the bottom of the trim forward slightly and then pull down to clear the outer case hood.

16.1.2 Remove the window unit by detaching the knurled screws at the sides near the top. Lift the window unit up to clear the locations at the bottom and place carefully aside (see Fig.6).

16.1.3 Refit in the reverse order.

16.2 To Remove the Outer Case

16.2.1 Remove the control knob by pulling clear of the gas tap spindle.

16.2.2 Detach the control bezel by removing the knurled screw below the control knob opening (see Fig 1).

16.2.3 Remove the knurled screws at the case sides (see Fig.1).

16.2.4 Pull the bottom of the case forwards. Lift the case upwards to clear the top rear brackets. Then lift forwards to clear. Place carefully aside.

16.2.5 Refit in the reverse order. When refitting, make sure that the flange at the top rear of the outer case locates over the top corner brackets on the back panel and that the pegs in the control bezel locate in the holes in the gas tap bracket.

16.3 To Remove the Fuel Effects

16.3.1 Remove the window unit as described in section 16.1

16.3.2 Remove the fuel effects.

16.3.3 Refit in the reverse order. Replace the effects as described in the relevant fuel effect installation instructions.

16.4 To Remove the Rear Burner Tube

16.4.1 Remove the window unit - see section 16.1

16.4.2 Remove the ceramic fuel effects.

16.4.3 Unscrew the two screws securing the burner tube to the left side of the firebox. Lift the burner tube clear.

16.4.4 Refit in the reverse order. When refitting, make sure that the burner tube is properly located over the injector carrier at the right side.

16.5 To Remove the Front Burner Tube

16.5.1 Remove the outer case - see section 16.2

16.5.2 Remove the window unit - see section 16.1

16.5.3 Remove the ceramic fuel effects

16.5.4 Remove the screw securing the firebox front cross rail at the left side.

16.5.5 Slacken the screw securing the cross rail at the right side and swing the rail down at the left side to give access to the burner tube screws.

16.5.6 Unscrew the two screws securing the burner tube to the left side of the firebox. Lift the burner tube clear.

16.5.7 Refit in the reverse order. When refitting make sure that the burner tube is properly located over the injector carrier at the right side.

16.6 To Remove the Electrode

16.6.1 Remove the outer case - see section 16.2

16.6.2 Though not essential for access to the electrode, it is recommended that the fuel effects are removed so that the electrode tip position can be checked when replaced - see section 16.3

16.6.3 Remove the two screws securing the electrode unit to the bulkhead panel outside the right side of the firebox. Pull the electrode with lead attached clear.

16.6.4 Disconnect the lead from the electrode.

16.6.5 Refit in the reverse order.

16.7 To Remove the Pilot & Cross Lighting Burner

- 16.7.1 Remove the outer case - see section 16.2
- 16.7.2 Remove the window unit - see section 16.1
- 16.7.3 Remove the ceramic fuel effects.
- 16.7.4 To gain clear access to the pilot burner screw, detach the right hand front log support by removing two screws - see figure 19.
- 16.7.5 Remove the pilot and cross lighting burner by unscrewing the two screws fixing it to the bracket at the right side of the firebox - see figure 19.
- 16.7.6 Refit in the reverse order.

16.8 To Remove the Pilot Jet

- 16.8.1 Remove the pilot and cross lighting burner - see section 16.7
- 16.8.2 Disconnect the pilot pipe at the jet end and spring clear of the carrier.
- 16.8.3 Remove the pilot jet and carrier from the bracket.
- 16.8.4 Refit in the reverse order.

16.9 To Remove the Gas Tap and Piezo Unit

- 16.9.1 Remove the outer case - see section 16.2
- 16.9.2 Disconnect the electrode lead.
- 16.9.3 Remove the gas tap securing nut
- 16.9.4 Remove the gas tap bracket by unscrewing one screw, attaching it to the back panel and two screws attaching it to the bulkhead panel - see Fig.20 screws 'A' and 'B'
- 16.9.5 Disconnect the four pipes from the gas tap.
- 16.9.6 Disconnect the thermocouple and flue switch wires from the gas tap interrupter block (Fig. 20 a).
- 16.9.7 Remove the interrupter block from the gas tap.
- 16.9.8 Refit in the reverse order.

When reconnecting the thermocouple nut to interrupter block, make sure that the flue switch wires are properly located. Initially screw the thermocouple nut until finger tight, then finally tighten a further quarter turn with a spanner.

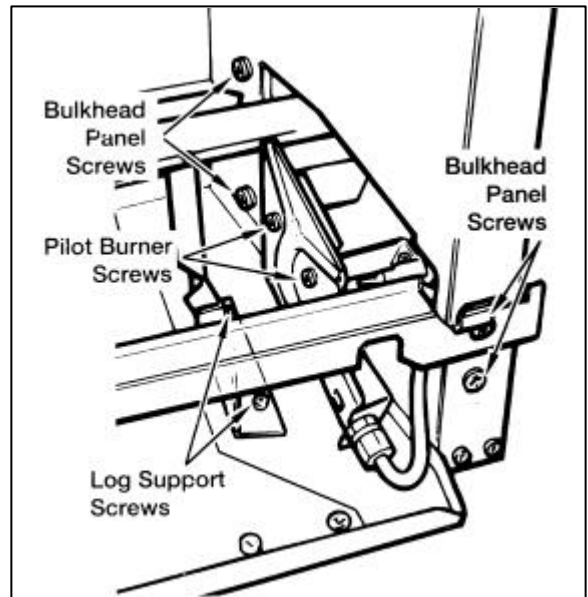


Fig. 19 Firebox Internal Fixings

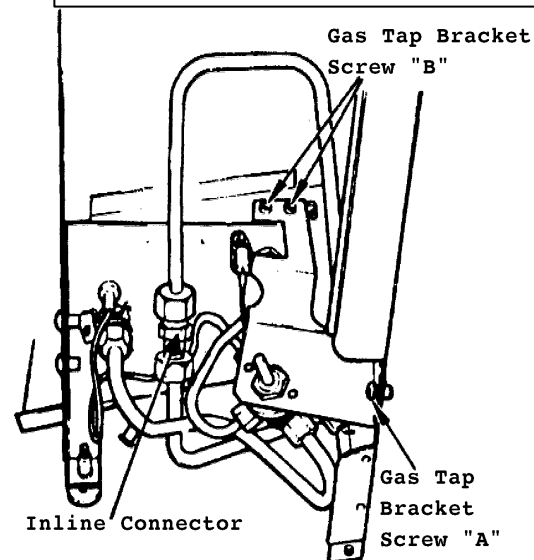


Fig. 20 Manifold View

16.10 To Remove the Piezo Generator

- 16.10.1 Remove the gas tap and piezo unit as 16.9 above.
- 16.10.2 Make sure that the tap is in the off position.
- 16.10.3 Remove the circlip holding the piezo unit to the tap. Remove the piezo unit.
- 16.10.4 Refit in the reverse order.

When reconnecting the thermocouple nut to interrupter block, make sure that the flue switch wires are properly located. Initially screw the thermocouple nut until finger tight, then finally tighten a further quarter turn with a spanner.

16.11 To Grease the Control Tap

- 16.11.1 Detach the tap and remove the piezo generator as 16.10 above making sure that the tap is in the off position.
- 16.11.2 Remove the two screws from the head of the tap. Remove the niting head and spindle complete with collar and spring.
- 16.11.3 Note the position of the slot in the plug - mark its position on the tap body. Remove the plug rotating slightly while pulling.

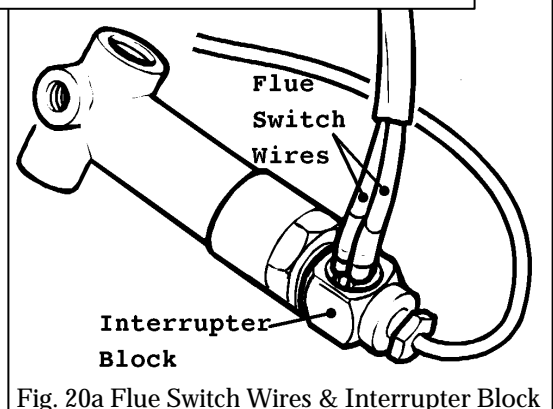


Fig. 20a Flue Switch Wires & Interrupter Block

16.11.4 Clean and grease the plug lightly with a suitable grease. Do not apply excessive grease. Particularly, make sure that the gas ports in the tap are not restricted by grease.

16.11.5 Push the plug into the tap body and position the slot in line with the mark previously made on the tap body.

16.11.6 Reassemble the nutting head and spindle complete with collar and spring making sure that the components are correctly engaged.

Check the operation of the tap.

When reconnecting the thermocouple nut to interrupter block, make sure that the flue switch wires are properly located. Initially screw the thermocouple nut until finger tight, then finally tighten a further quarter turn with a spanner.

16.12 To Remove the Flue Switch

16.12.1 Remove the gas tap to gain access to the interrupter block as described in section 16.9.

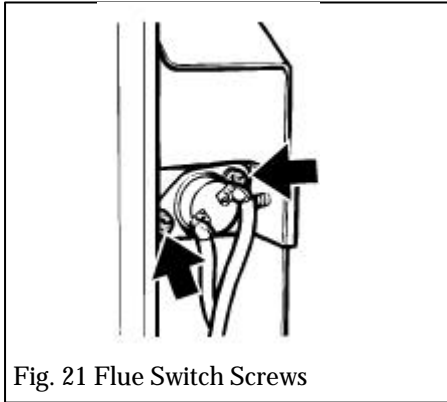


Fig. 21 Flue Switch Screws

16.12.2 Loosen the thermocouple connection to the interrupter block and detach the flue switch wires (see fig. 20a).

16.12.3 Detach the flue switch from the right side of the downdraught diverter by removing two screws (Fig. 21).

16.12.4 Refit in the reverse order.

When reconnecting the thermocouple nut to interrupter block, make sure that the flue switch wires are properly located. Initially screw the thermocouple nut until finger tight, then finally tighten a further quarter turn with a spanner.

16.13. To Remove Controls And Pipework Manifold

16.13.1 Remove the outer case - see section 16.2

16.13.2 Remove the window unit - see section 16.1

16.13.3 Remove the ceramic fuel effects.

16.13.4 Disconnect the inlet pipe from the lower joint of the in line connector - see figure 20.

16.13.5 Remove the two screws securing the bulkhead panel to the firebox right front flange and front cross member see figure 19.

16.13.6 Remove the screw securing the firebox front cross rail at the left side.

16.13.7 Remove the front burner tube - see section 16.5.6.

16.13.8 Remove the rear burner tube - see section 16.4.3

16.13.9 Remove the three screws securing the bulkhead panel inside the firebox right side - see figure 19.

16.13.10 Remove the screw securing the gas tap bracket to the appliance back panel - see figure 20 screw "A".

16.13.11 Detach the flue switch from the right side of the downdraught diverter by removing two screws (Fig. 21). Carefully pull the switch through the hole in the back panel.

16.13.12 To remove the control and pipework manifold, swing the rear of the unit away from the firebox until the gas tap bracket is clear of the cut-out in the back panel side flange then pull the unit up and sideways.

16.13.13 Refit in the reverse order. When reconnecting the thermocouple nut to interrupter block, make sure that the flue switch wires are properly located. Initially screw the thermocouple nut until finger tight, then finally tighten a further quarter turn with a spanner.

When relocating the unit, make sure that the thermocouple probe does not get damaged by contact with the firebox side.

16.14 To Remove the Thermocouple

16.14.1 Remove the control and pipework manifold - see section 16.13.

16.14.2 Undo the thermocouple from the interrupter block on the control tap (The flue switch wires will then be loose).

16.14.3 Undo the nut securing the thermocouple probe to the manifold panel and withdraw the thermocouple.

16.14.4 Refit in the reverse order.

When reconnecting the thermocouple nut to interrupter block, make sure that the flue switch wires are properly located. Initially screw the thermocouple nut until finger tight, then finally tighten a further quarter turn with a spanner. When relocating the manifold unit, make sure that the thermocouple probe does not get damaged by contact with the firebox side.

16.15 To Remove the Front or Rear Burner Injector

16.15.1 Remove the control and pipework manifold - see section 16.13

16.15.2 Loosen the pipe running to the relevant injector at the tap end.

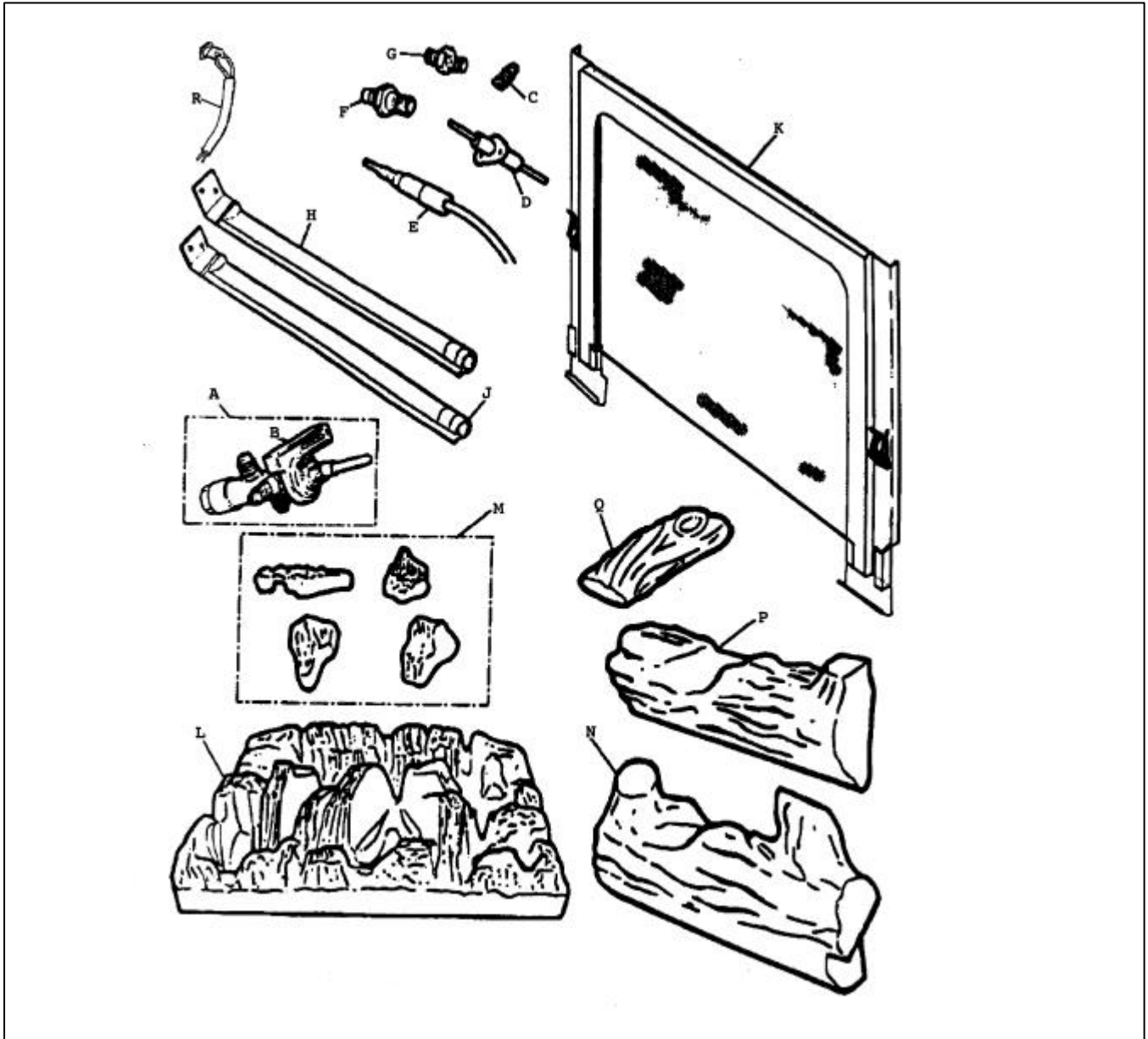
16.15.3 Disconnect the relevant pipe from the injector carrier and swing clear.

16.15.4 Dismantle the relevant injector from the carrier inside the bulkhead panel.

16.15.5 Refit in the reverse order. When reconnecting the thermocouple nut to interrupter block, make sure that the flue switch wires are properly located. Initially screw the thermocouple nut until finger tight, then finally tighten a further quarter turn with a spanner.

When relocating the manifold unit, make sure that the thermocouple probe does not get damaged by contact with the firebox side.

SHORT SPARES LIST



Key No.	Description	No. off	Part No.
A	Gas Tap & Spark Generator Copreci	1	561189
B	Spark Generator Copreci with 175mm long lead	1	525569
C	Pilot Injector Bray Cat. 960 Size 25	1	540069
D	Electrode APCO Ref. 50197	1	525599
E	Thermocouple Orkli T100/9 - 400mm long	1	522999
F	Injector Bray Cat. 77 Size 170	1	540079
G	Injector Bray Cat. 18 Size 220	1	540099
H	Rear Burner with Shutter	1	540129
J	Front Burner with Shutter	1	525669
K	Window Unit	1	540149
L	Coal Bed "A"	1	540199
M	Set of Coal Overlays "B" to "E"	1	540189
N	Front Log	1	540269
P	Rear Log	1	525979
Q	Cross Log	1	525989
R	Flue Switch	1	538949

Safety First.

Valor fires are CE Approved and designed to meet the appropriate British Standards and Safety Marks.



Quality and Excellence.

At the heart of every Valor fire.

All Valor fires are manufactured to the highest standards of quality and excellence and are manufactured under a BS EN ISO 9001 quality system accepted by the British Standards Institute.



The Highest Standards

Valor is a member of the Society of British Gas Industries which works to ensure high standards of safety, quality and performance.



Careful Installation

Valor is a Corgi registered company. All our gas fires must be installed by a competent Corgi Registered Installer in accordance with our Installer Guide and should not be fitted directly on to a carpet or floor of combustible material.



Valor Heating, Erdington, Birmingham B24 9QP

Because our policy is one of constant development and improvement, details may vary slightly from those given in this publication