

# TRIANCO



## Electric Boilers USER & SERVICE INSTALLATION INSTRUCTIONS



G.C.No. EB 897 01 [ 2 kW]  
G.C.No. EB 897 02 [ 6 kW]  
G.C.No. EB 897 03 [ 9 kW]  
G.C.No. EB 897 04 [ 11 kW]  
G.C.No. EB 897 05 [ 12 kW]



KM 59690

# TRIANCO

**Notes:**

**ELECTRICAL SAFETY CHECKS SHOULD BE CARRIED OUT BY A QUALIFIED ELECTRICAL ENGINEER**

- (a) It is the responsibility of the Installer to ensure proper commissioning is carried out.
- (b) It is a requirement of the boiler's guarantee and any extended warranty that an annual service is carried out by a qualified engineer.

Installation Engineer's Signature .....

Company Name .....

Address .....

.....

Tel. No: .....

---

## HEALTH AND SAFETY

---

### INFORMATION FOR THE INSTALLER AND SERVICE ENGINEERS

Under the Consumer Protection Act 1987 and the Health and Safety at Work Act 1974, it is a requirement to provide information on substances hazardous to health (COSHH Regulations 1988).

The Company takes every reasonable care to ensure that these products are designed and constructed to meet these general safety requirements, when properly used and installed.

To fulfil this requirement products are comprehensively tested and examined before despatch.

This appliance may contain some of the items below.

When working on the appliance it is the Users/Engineers responsibility to ensure that any necessary personal protective clothing or equipment is worn appropriate to parts that could be considered as being hazardous to health and safety.

#### INSULATION AND SEALS

Mineral Fibre, Insulation.

May be harmful if inhaled. May be irritating to the skin, eyes, nose or throat. When handling avoid inhalation and contact with eyes. Use (disposable) gloves, face masks and eye protection.

After handling wash hands and other exposed parts. When disposing, reduce dust with water spray, ensure parts are securely wrapped.

#### GLUES, SEALANTS & PAINT

Glues, Sealants and Paints are used in the product and present no known hazards when used in the manner for which they are intended.

# IMPORTANT PRE-INSTALLATION NOTES

Before installation, it is imperative that the following guidelines are heeded to ensure the trouble-free and efficient operation of the boiler:

## • Ventilation and Siting

When siting the boiler in a confined space it is essential that adequate ventilation be provided. This will ensure that air is allowed to circulate freely around the appliance keeping down the ambient temperatures.

Refer to Ventilation Requirements (page 6) for further details.

Ensure that the area surrounding the boiler is kept free of items which would impede the good ventilation of the appliance (eg. towels, linen, etc)

When siting the boiler, take into account the potential requirement for future servicing. Enough space should be provided at the front of the boiler to enable an engineer to adequately service and/or replace items such as the PCB or heat exchanger. Space should also be available for the removal of the front casing panel. Please refer to Siting Information (page 5) for clearance dimensions.

## • Power Supply and Wiring

The power supply to the premises must meet the minimum requirements of the unit being installed, with special attention paid to the supply current, cable size, and RCD recommendation (see page 4 for details).

When fitting external controls, such as a room thermostat or programmer, particular consideration should be given to the wiring of these secondary items into the appliance. Please refer to the wiring instructions (pages 10 to 17) for full details. Any breakdown attended to by Trianco which is found to be caused by an incorrectly wired appliance will be chargeable.

It is important that the pump is wired back to the boiler as shown in the wiring diagram as the pump operates on a switched neutral.

## • System

We recommend the placement of isolation valves on both the flow and return pipework of each boiler to be installed. These are useful as - from time to time - the boiler may require draining of water, and the lengthy drawing-off process can be avoided by the astute placement of these valves. Please refer to page 8 for further details.

Ensure that any isolation valves are open before first use.

The boiler can be fitted only in an upright position, with the flow connections to the top of the boiler.

## CONTENTS

|  | PAGE         |
|--|--------------|
| <b>1. INTRODUCTION</b>                 | <b>1/2</b>   |
| <b>After sales service information</b> | <b>1/2</b>   |
| <b>2. USER INSTRUCTIONS</b>            | <b>3</b>     |
| <b>Simple Fault Finding</b>            | <b>4</b>     |
| <b>3. TECHNICAL SPECIFICATION</b>      | <b>4</b>     |
| <b>4. INSTALLATION INSTRUCTIONS</b>    | <b>5</b>     |
| <b>Regulations</b>                     | <b>5</b>     |
| <b>Health and Safety</b>               | <b>5</b>     |
| <b>Siting the Boiler</b>               | <b>5</b>     |
| <b>Fixing to the Wall</b>              | <b>5</b>     |
| <b>Dimensional Details</b>             | <b>5</b>     |
| <b>Ventilation</b>                     | <b>6</b>     |
| <b>Water Systems</b>                   | <b>7/8/9</b> |
| <b>Multiple Boiler Installations</b>   | <b>8</b>     |
| <b>Wiring Instructions</b>             | <b>10-17</b> |
| <b>5. SERVICE INSTRUCTIONS</b>         | <b>18</b>    |
| <b>Parts Replacement</b>               | <b>18/19</b> |
| <b>Wiring Diagram</b>                  | <b>20</b>    |
| <b>Fault Finding</b>                   | <b>21</b>    |
| <b>Spares List</b>                     | <b>22/23</b> |

### Important

#### General Information:

To keep your boiler running efficiently DO NOT OBSTRUCT OR COVER any ventilation air inlet on the appliance or the compartment where it is installed.

To keep the casing clean, switch 'OFF' the boiler at the electrical supply, and simply wipe with a damp cloth. DO NOT use abrasive cleaning fluids as this may damage the stove enamel paintwork.

### Important

The electrical supply requirements:-

The 2 kW boilers and 6 kW boilers meet the requirements of EN 61000-3.3.

The 9 kW and 11 kW boiler must be installed in premises having a service supply of  $\geq 100A$  per phase.

The 12 kW boiler must be installed in premises having a system impedance of not more than  $0.1939 + j 0.1939\Omega$ .

# TRIANCO

## CUSTOMER AFTER SALES SERVICE INFORMATION

### A step by step guide to reporting a fault with your appliance

A qualified field SERVICE ENGINEER is available to attend a breakdown or manufacturing fault occurring whilst the appliance is under guarantee.

The appliance must be made available for service during normal working hours, Monday to Friday (no weekend work or bank holidays accepted).

### A charge will be made where:

- Our Field Service Engineer finds no fault with the appliance  
or
- The cause of a breakdown is due to other parts of the plumbing/heating system or with equipment not supplied by Trianco.  
or
- Where the appliance falls outside the guarantee period (see terms and conditions enclosed).  
or
- The appliance has not been correctly installed, as recommended (see installation, operating and servicing instructions.)

**NOTE: Over 50% of all service calls made are found to have no appliance fault.**

### What to do in the event of an appliance fault or breakdown:

**Step 1:** Always contact your installer in the first instance, who must thoroughly check all his work PRIOR to requesting a service visit from Trianco.

**Step 2:** If your appliance has developed an in-guarantee fault your installer should contact Trianco for assistance.

### What happens if my installer/engineer is unavailable?

**Step 3:** Contact Trianco. We will provide you with the name and telephone number of our Service Agent. However, a charge may apply if the fault is not covered by the appliance guarantee (payment will be requested on site by our independent Service Agent).

**PLEASE NOTE:  
UNAUTHORISED INVOICES FOR ATTENDANCE AND REPAIR WORK CARRIED OUT ON THIS APPLIANCE BY ANY THIRD PARTY WILL NOT BE ACCEPTED BY TRIANCO.**

### SERVICE CENTRE AND TECHNICAL SUPPORT

Tel: 0114 257 2300 Fax: 0114 257 2338

Hours of Business Monday to Thursday 8.30am - 4.45pm

Friday 8.30am - 2.30pm

# 1. INTRODUCTION

The Aztec Electric Boiler is a wall mounted electric central heating boiler designed with smaller properties in mind. Fitted vertically only and requiring access to the front and the right hand side of the boiler for servicing. Once the boiler is switched on it is fully controlled by an automatic management system which monitors the safety and running functions of the boiler. Designed to work on a fully pumped wet system only. The boiler produces hot water by passing water over electric heating elements housed in an insulated copper heat exchanger.

There are five boilers in the range with outputs ranging from 2 kW (6825 Btu/hr) to 12 kW (41.000 Btu/hr).

## IMPORTANT SAFETY NOTES

**Read these instructions before installing your boiler.**

The heating system must comply with the latest editions of British Standards 5449 and The Building Regulations, and Electrical Wiring Regulations BS 7671.

1. Always switch OFF the electrical supply before removing the cover.
2. If any part of the boiler is modified, then the guarantee /warranty will be invalidated.

We recommend that you keep these instructions in a place near your appliance for easy reference.

**The Trianco Aztec Wall Mounted Boiler has been designed to conform to European Directive/Standards.**

**EN60335-1:1994/A16:2001, EN60335-2-35:1998/A1:2000, EN55014-1:2000, EN55014-2:1997, EN61000-3-2:2000 and EN61000-3-3:1995.**

**THE PERSON(S) WHO INSTALLS THIS APPLIANCE, SERVICES OR CARRIES OUT ANY REMEDIAL WORK, I.E. ELECTRICAL FAULT FINDING, MUST HAVE SUITABLE ENGINEERING QUALIFICATIONS.**

**WARNING: DO NOT SWITCH ON THIS APPLIANCE IF THERE IS ANY POSSIBILITY THAT THE WATER HEAT EXCHANGER IS FROZEN.**

**THE INSTALLATION OF THIS APPLIANCE MUST MEET THE REQUIREMENTS OF THE CURRENT ISSUE FOR ELECTRICAL INSTALLATIONS IEE WIRING REGULATIONS (SIXTEENTH EDITION)**

## 2. USERS INSTRUCTIONS

The boiler thermostat control is located on the front face at the top right hand side of the boiler.

The Trianco Aztec boiler has been designed and constructed to give years of trouble free service and these instructions are provided to assist you in obtaining the best performance with the least trouble and cost.

The boiler is fully automatic in operation and requires little attention other than the setting of the thermostat and any external system controls such as a room thermostat and time switch.

### IMPORTANT

**DO NOT COVER OR BOX IN YOUR BOILER, ALLOW AIR TO CIRCULATE FREELY AROUND THE APPLIANCE**

**WARNING: DO NOT ATTEMPT TO SWITCH ON THE BOILER IF THERE IS ANY POSSIBILITY THAT THE WATER HEAT EXCHANGER IS FROZEN**

Before firing the boiler, ensure the system is full of water and any valves fitted to system are open.

**1**

Check that the time switch/programmer (if fitted) is ON and the room thermostat is calling for heat.

**2**

Set the boiler thermostat to the required temperature.

**3**

Switch on the electrical supply to the boiler and after a few seconds the boilers' green and amber light should illuminate.

**4**

Set the time switch/programmer (if fitted) to the times and programmers required.

**5**

The boiler will now operate automatically, cutting in and out according to heat demand.

### TO TURN OFF THE BOILER

**1**

Switch off the boiler at the time switch/programmer (if fitted)

**2**

If the boiler is to be switched off for any length of time it is recommended that the mains supply to the boiler is switched OFF.

### BOILER CONTROL THERMOSTAT

The boiler control thermostat enables you to select the temperature of the water leaving the boiler. It is calibrated between Low and High.

Using a small screwdriver set the temperature by turning the knob to the required setting.

The thermostat switches between low and high (50°C and 80°C).

### BOILER INDICATOR LIGHT

There are three LED indicator lights on the boiler fascia panel these are:

|              |  |
|--------------|--|
| <b>GREEN</b> | Power on to the boiler   |
| <b>AMBER</b> | Illuminated - In run mode<br><b>Flashing</b> - Temperature Satisfied |
| <b>RED</b>   | Boiler Fault   |

If the red LED light flashes, this means a fault has occurred. This would result in the boiler continuing to operate at a reduced output.

If the red LED is permanently on, this indicates a fault has occurred. (See simple fault finding chart on page 4).

### ROOM THERMOSTAT

The room thermostat should not be positioned near a source of heat such as a radiator or exposed to the sun as this will cause the central heating to switch off before the room is up to temperature. Follow the manufacturer's instructions for best siting position for the thermostat.

### FROST PROTECTION

If the boiler and central heating is shut down for many hours during very cold weather, the water may be in danger of freezing and, as such, it is advisable to protect the installation with a frost thermostat.

Where the system is not protected, the boiler should be left switched on and the room thermostat set to a low setting e.g. 7°C (45°F) to prevent the building temperature falling too low.

If the system is shut down for a long period during very cold weather, it is advisable to completely drain the system. However, frequent draining should be avoided, especially in hard water areas, as this could lead to scaling of the boiler waterways.

**WARNING: DO NOT SWITCH ON THIS APPLIANCE IF THERE IS ANY POSSIBILITY THAT THE WATER HEAT EXCHANGER IS FROZEN.**

### TIME SWITCH/PROGRAMMER

When choosing the operating times for your boiler, it is useful to remember that central heating usually takes between half an hour to an hour before it becomes effective.

It is suggested that the Time Switch/ Programmer is set to bring on the heating about an hour before heating is required.

It is also worth noting that the heating system will usually remain effective for up to half an hour after boiler shutdown. The timer can therefore be switched off earlier as an economy measure.

### Cleaning Casings

Use hot soapy water applied with a damp cloth for the enamel, then dry with a soft dry cloth.

### Simple Maintenance

Ensure that the natural ventilation around the boiler is not obstructed. If fitted in a compartment ensure all ventilation grilles are clear.

## SIMPLE FAULT FINDING

If the boiler fails to start for no apparent reason make the following checks before calling your service engineer.

**1**

Is green LED light illuminated?

**No**

Check for blown fuse or thrown power breaker. If replacement fuse or power breaker fail again call service engineer.

**2**

If the red LED is permanently illuminated contact your service engineer.

**3**

Flashing red LED indicates an open circuit. The boiler can still be operated. Service engineer should be contacted.

**4**

Check to see if all external controls ie programmer or room thermostat are calling for heat.

### Resetting the Boiler

If a fault has occurred and the red LED is illuminated but the pump continues to run, then switching the power off for 30 seconds and then on again should reset the light. This may be caused by the ambient temperature around the boiler being too high. Check to ensure that any boiler ventilation is not obstructed. If the fault reoccurs contact your engineer.

**IMPORTANT: Electrical safety checks should be carried out by a qualified electrical engineer.**

## 3. TECHNICAL SPECIFICATION

| MODEL   | AZTEC<br>2 KW     | AZTEC<br>6 KW | AZTEC<br>9 KW | AZTEC<br>11 KW | AZTEC<br>12 KW |
|---|-------------------|---------------|---------------|----------------|----------------|
| ELECTRICAL INPUT  | 2 KW              | 6 KW          | 9.15 KW       | 11 KW          | 12 KW          |
| SUPPLY CURRENT (amp)  | 8.5A              | 25A           | 39A           | 45A            | 51A            |
| RCD RATING (amp)  | 13A               | 32A           | 40A           | 50A            | 63A            |
| MINIMUM CABLE SIZE (mm)   | 1                 | 4             | 6             | 10             | 16             |
| WEIGHT (kg)   | 7.0               | 8.1           | 10.6          | 10.8           | 10.8           |
| WATER CONTENT (litres)  | 1.0               | 2.1           | 3.2           | 3.2            | 3.2            |
| WIDTH (mm)  | 164               | 164           | 164           | 164            | 164            |
| DEPTH (mm)  | 130               | 130           | 130           | 130            | 130            |
| HEIGHT (mm)   | 550               | 823           | 1073          | 1073           | 1073           |
| MAINS SUPPLY  | 230V 50Hz         |               |               |                |                |
| MAX OPERATING PRESSURE  | 3 bar<br>43.5 psi |               |               |                |                |
| TEST PRESSURE   | 6 bar<br>87 psi   |               |               |                |                |
| <b>BOILER FLOW TEMPERATURE - Adjustable between 50°C and 80°C</b><br><br><b>LIMIT THERMOSTAT - Factory set at 100°C</b><br><br><b>CASING FINISH - Stove enamelled white</b><br><br><b>THERMAL INSULATION - Insulated with mineral fibre</b> |                   |               |               |                |                |

## 4. INSTALLATION

### Regulations

Installation of the boiler must comply with the following British Standards and Regulations:

BS 5449 - Forced Circulation Hot Water Central Heating Systems.

BS 7074 - Part 1 - Code of Practice for Sealed Water Systems.

The Building Regulations:  
Part 'L' (Northern Ireland)  
Current I.E.E. Regulations  
Local water undertaking By-Laws

### Health & Safety at Work Act

The installer should be aware of his responsibilities under the Act and provide where necessary, appropriate protection for persons carrying out the installation. In the interests of safety a competent engineer should install the boiler and all wiring must be carried out in accordance with current IEE wiring regulations.

### IMPORTANT

**ALL ELECTRICAL WORK MUST BE CARRIED OUT BY A QUALIFIED ELECTRICAL ENGINEER TO CURRENT IEE WIRING REGULATIONS.**

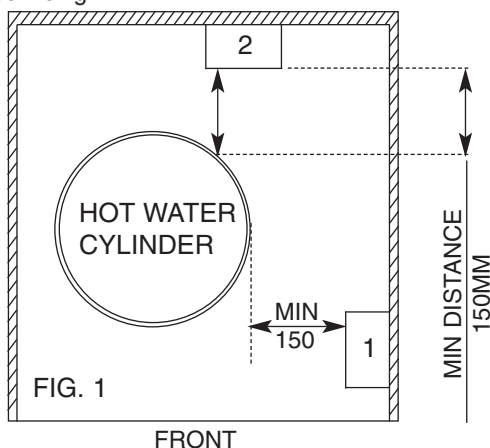
### SITING THE BOILER

**IMPORTANT: NOT TO BE INSTALLED IN A SHOWER COMPARTMENT OR BATHROOM**

The boiler is designed to be fitted in an **upright position only**. Ensure adequate clearance is allowed for making water connections as the boiler can be fully serviced from the front. The boiler must also be fitted in a dry well ventilated position, which is not subject to adverse temperature conditions. (See Ventilation Requirements)

Care should be taken when siting the appliance to make sure adequate access is available for future servicing of the appliance. Please note that the PCB and heat exchanger assembly may require removal during such times.

When installed in a compartment with a hot water cylinder (see Fig. 1), we recommend that the boiler is fitted in position 1; if fitted in position 2, provision should be made at the front of the boiler to enable the removal of the front casing. In both cases, where any additional equipment like a hot water cylinder or system controls are to be fitted after the boiler has been installed, attention should be given to ensure that they do not restrict access to the boiler for servicing.



### UNPACKING THE BOILER

Carefully open the boiler carton, remove boiler and place in a safe place until required.

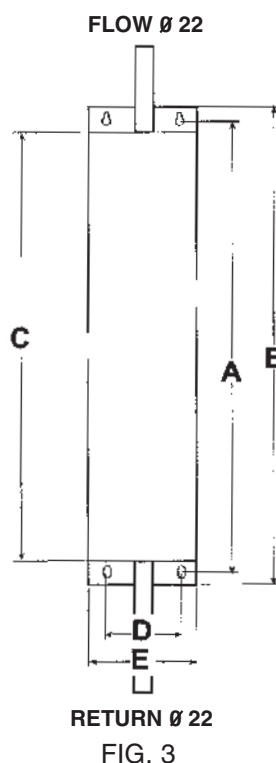
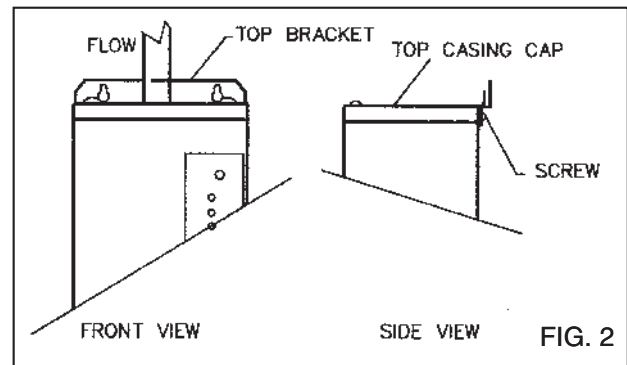
**NOTE - ALWAYS STORE THE BOILER IN A DRY PLACE PRIOR TO FITTING.**

### FIXING BOILER TO WALL

**IMPORTANT:  
DO NOT CUT FLOW AND RETURN PIPES**

1. The boiler should be fitted to a suitable wall in an upright position. Flow tapping must be at top of boiler.
2. Using fixing dimensions supplied work out position of boiler, mark four mounting holes and drill 6mm diameter to a depth of 38 mm.
3. Fit plastic wall plugs into holes and fit bottom two mounting screws.
4. Hang boiler on bottom two screws and push the boiler back towards the wall and secure in position with top two fixing screws. The flow tapping must be at top of the boiler.

(continued, page 6)



|   | 2kW | 6kW | 9 - 12kW |
|---|-----|-----|----------|
| A | 566 | 839 | 1089     |
| B | 586 | 859 | 1109     |
| C | 550 | 823 | 1073     |
| D | 107 | 107 | 107      |
| E | 164 | 164 | 164      |

### MINIMUM CLEARANCES:

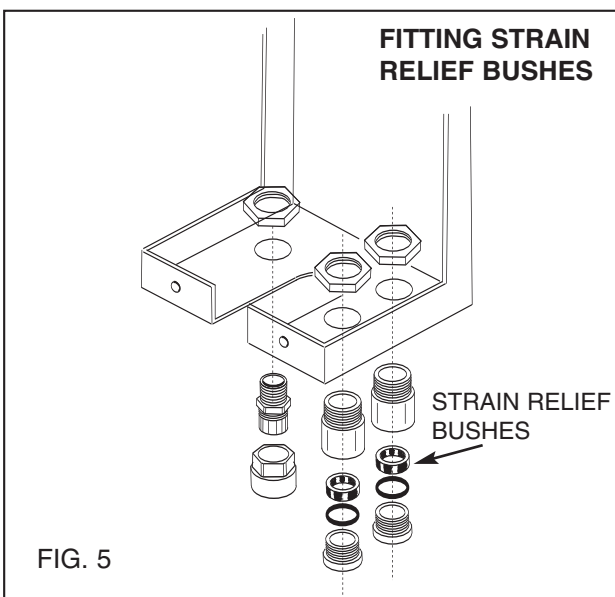
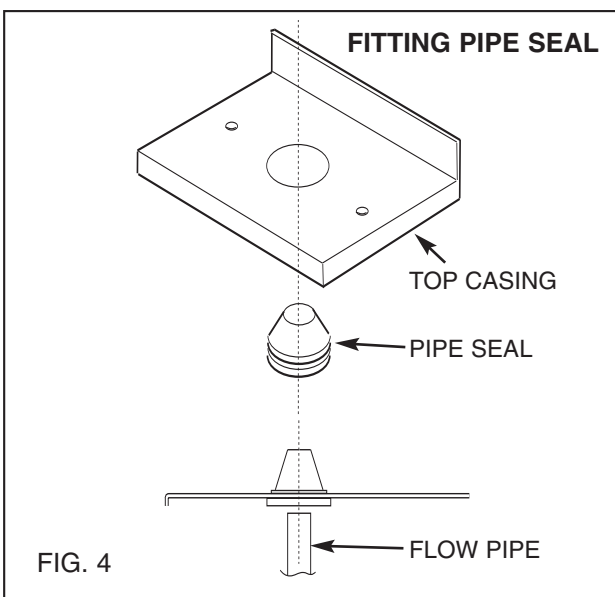
FRONT - 150mm  
FROM OTHER FIXED EQUIPMENT  
TOP - 100mm  
BOTTOM - 100mm  
L/H SIDE - 50mm  
R/H SIDE - 100mm

NOTE: APPROXIMATELY 750MM WILL BE REQUIRED AT THE FRONT OF THE APPLIANCE TO ENSURE ADEQUATE ACCESS BY AN ENGINEER DURING ROUTINE SERVICING.

5. Removing four casing securing screws and washers will allow casing to be removed.
6. Slide top casing cap upwards this will allow front casing to slide forward.
7. With the front casing removed fit the three strain relief bushes into base of back panel.
8. Fit pipe sealing grommet into top casing panel and cut off end to allow pipe to slide through (see diagram)

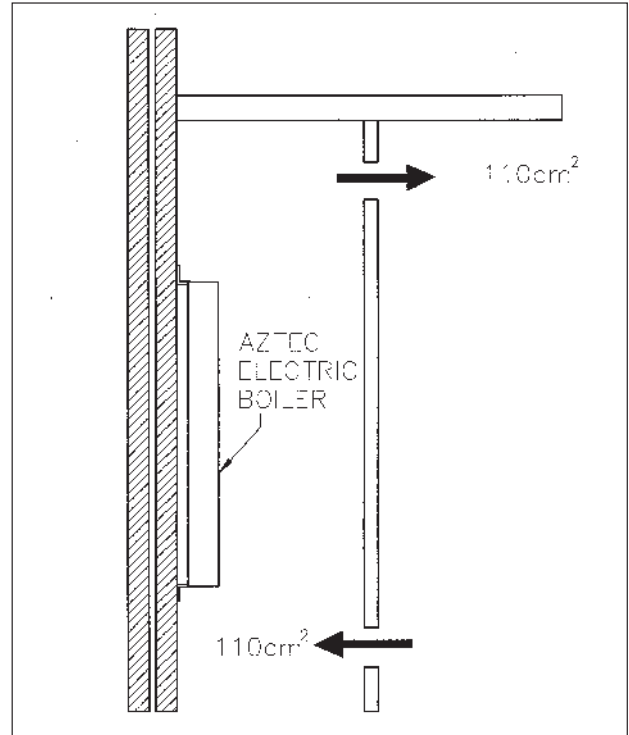
**IMPORTANT TOP CASING PANEL WITH GROMMET MUST BE RE-FITTED BACK IN POSITION BEFORE MAKING TOP PIPE CONNECTION.**

9. When re-fitting casings slide front casing back into position ensure small temperature adjuster on PCB passes through the hole on the control panel. Slide the top-casing panel down into position and secure panels into position using the four screws.



## VENTILATION REQUIREMENTS

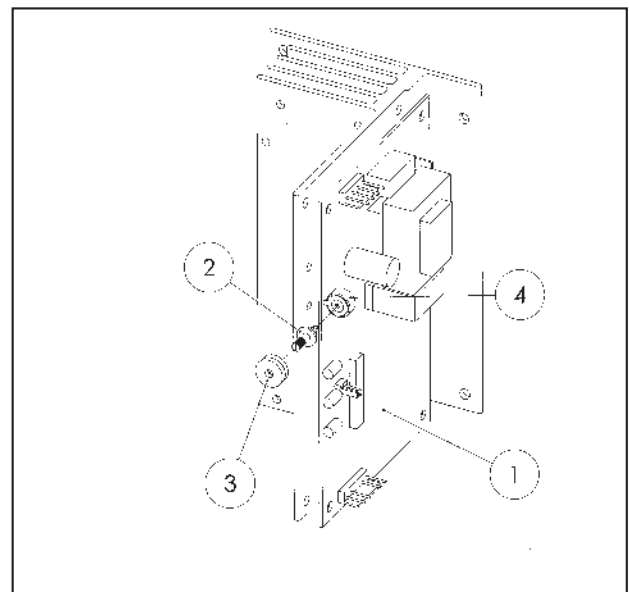
If the appliance is to be fitted in a confined space or compartment with a potential ambient temperature of 60°C or above, it is strongly recommended that adequate ventilation is provided to prevent the overheating of the boiler controls. Aeration of 100cm<sup>2</sup> will be required to the compartment, in both high and low level positions.



## CONTROL KNOB FITTING

To prevent damage to the PCB (1), the control knob (2) and rubber sealing gasket (3) are packed within the literature bag and should be fitted during the installation of the appliance.

To fit, with the front casing removed, simply place the knob into the location hole on the thermostat (4), then fit the rubber sealing gasket onto the control knob.



# WATER SYSTEM

## IMPORTANT: USE ONLY COMPRESSION FITTINGS WHEN CONNECTING THE BOILER TO THE CENTRAL HEATING SYSTEM

The installation must comply with the requirements of the following codes of practice.

BS 5449 Part 1 Forced Circulation Hot Water Systems.

BS 7074 Part 1 Code of practice for Sealed System water systems.

BS 7593 Treatment of water in domestic hot water central heating systems.

The water system must be thoroughly flushed out with cold water without the pump in position. Refit the pump and fill the system. Vent all air from system. Clear any air locks and examine the system for water leaks.

## IMPORTANT: ENSURE ALL SERVICE VALVES ARE IN OPEN POSITION.

Ensure boiler is fitted with flow pipe at top and return pipe at bottom.

The boiler is supplied with dia 22mm tail pipes top and bottom for connection to system.

The boiler must be installed using 22mm compression fittings both top and bottom.

The AZTEC range of boilers are low water content boilers so require a good flow rate at all times (see chart).

| MODEL       | MIN FLOW RATE / Min |
|-------------|---------------------|
| AZTEC 2 Kw  | 4 LTRS              |
| AZTEC 6 Kw  | 8 LTRS              |
| AZTEC 9 Kw  | 10 LTRS             |
| AZTEC 11 Kw | 11 LTRS             |
| AZTEC 12 Kw | 12 LTRS             |

AZTEC boilers are approved for use on fully pumped open vented systems and sealed systems. When fitting on a sealed system a 3 bar safety valve **must be fitted** to system, where thermostatic radiator valves are fitted it will be necessary to fit a bypass to obtain min flow rates.

## IMPORTANT: IF MIN FLOW RATES ARE NOT OBTAINED THE BOILER MAY GO TO LOCK OUT ON HIGH LIMIT THERMOSTAT.

Where more than 1 boiler is fitted refer to multiple boiler instructions.

System must be flushed out before adding inhibitor to BS 7593: 1992 treatment of water in central heating boiler.

## IMPORTANT: THIS BOILER IS TO BE FITTED ON FULLY PUMPED SYSTEMS ONLY.

# SEALED WATER SYSTEM REQUIREMENTS

The installation must comply with the appropriate requirements of the current issue of BS4814, BS5449, BS6798 and BS7074 Part 1 and 2.

## THE INSTALLATION ENGINEER MUST BE REGISTERED AS A COMPETENT UDHSS INSTALLER.

### Safety Valve

A safety valve set at 3 bar must be fitted with the drain routed to the outside of the building. The drain must not discharge above an entrance or a window or any public access area, be clear of any electrical fittings and positioned so that any discharge can be seen.

### Expansion Vessel Capacity

A diaphragm type expansion vessel, conforming to the current issue of BS4814. The expansion vessel must be connected to the systems at a point close to the inlet side of the circulating pump. The expansion vessel volume depends on the total water system volume and the initial system design pressure. For any system an accurate calculation of vessel size is given in the current issue of BS5449 and BS7074 Part 1.

The water content of the boiler is given in Technical Specification Note a higher initial design pressure requires a larger volume expansion vessel.

The charge pressure must not be less than the static head of the system, that is the highest point of the system above the expansion vessel.

### Capacity of expansion vessel

Where design information is not complete the following chart (page 8) can be used for selecting the size of the vessel, it should be noted that the size given in the table take account of fault conditions.

### System Temperature

The normal running temperature of the system is 80°C, if a fault was to occur then the safety device would allow the system temperature to rise to 100°C. It is recommended that this figure be used in the calculations of vessel size.

### Connection of the expansion vessel

The expansion vessel should be connected in the neutral part of the system this being the return pipe work close to the boiler, refer to sealed system pipework layout drawing.(Fig. 12)

### Pressure Gauge

A pressure gauge must be permanently fitted in the system covering a range from 0 to 4 bar. Position where it can be seen when filling system.

### Inhibitor

If using an existing system, take care to drain down the entire system including the radiators then thoroughly clean out before fitting the boiler.

Attention is drawn to the current issue of BS5449 and BS7593 on the use of inhibitors in central heating systems

### Drain Tapping

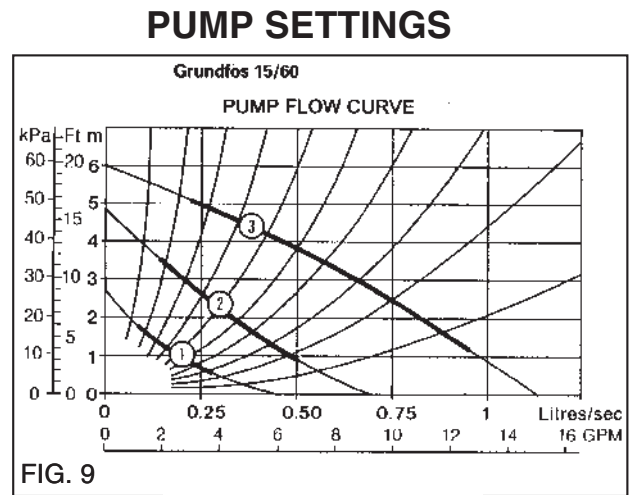
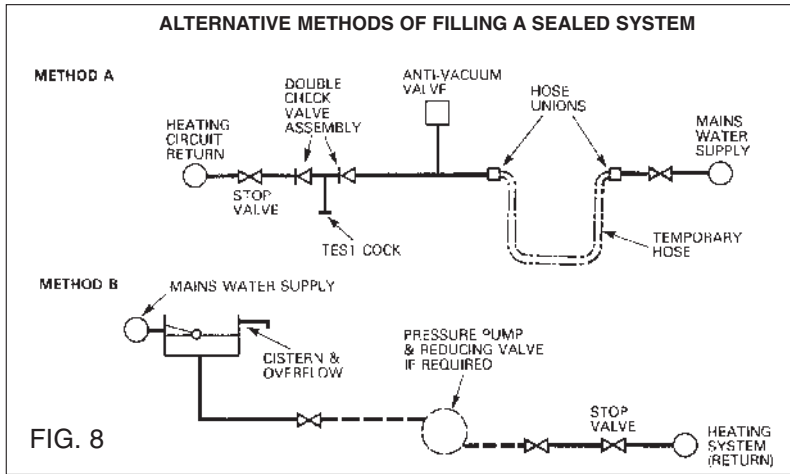
A drain tapping must be provided at lowest point of the system, which will allow the entire system to be drained.

**NOTE: Failure to ensure the correct vessel size could result in premature failure of the expansion vessel which in turn may adversely effect other components in the system i.e, circulating pump and diverter valve.**

## System Makeup

Water loss from the system should be replaced from a makeup vessel connected to the system. This vessel should be higher than the top of the system. Alternatively provision can be made by pre-pressurisation of the system via a temporary hose connection and through a double check valve (non-return) and stop valve.

There must be no permanent connection to the mains water valve supply even through a non return valve.



|  |                      |              |              |
|--|----------------------|--------------|--------------|
| <b>Safety valve setting (bar gauge)</b>                      | 3 bar                |              |              |
| <b>Vessel charge and initial system pressure (bar gauge)</b> | 0.5                  | 1.0          | 1.5          |
| <b>Total water content of system</b>                         | <b>Vessel Volume</b> |              |              |
| <b>Litre</b>   | <b>Litre</b>         | <b>Litre</b> | <b>Litre</b> |
| 25   | 2.3                  | 3.3          | 5.9          |
| 50   | 4.7                  | 6.7          | 11.8         |
| 75   | 7.0                  | 10.0         | 17.7         |
| 100  | 9.4                  | 13.4         | 23.7         |
| 125  | 11.7                 | 16.7         | 29.6         |
| 150  | 14.1                 | 20.1         | 35.5         |
| 175  | 16.4                 | 23.4         | 41.4         |
| 200  | 18.8                 | 26.8         | 47.4         |

## MULTIPLE BOILER INSTALLATIONS

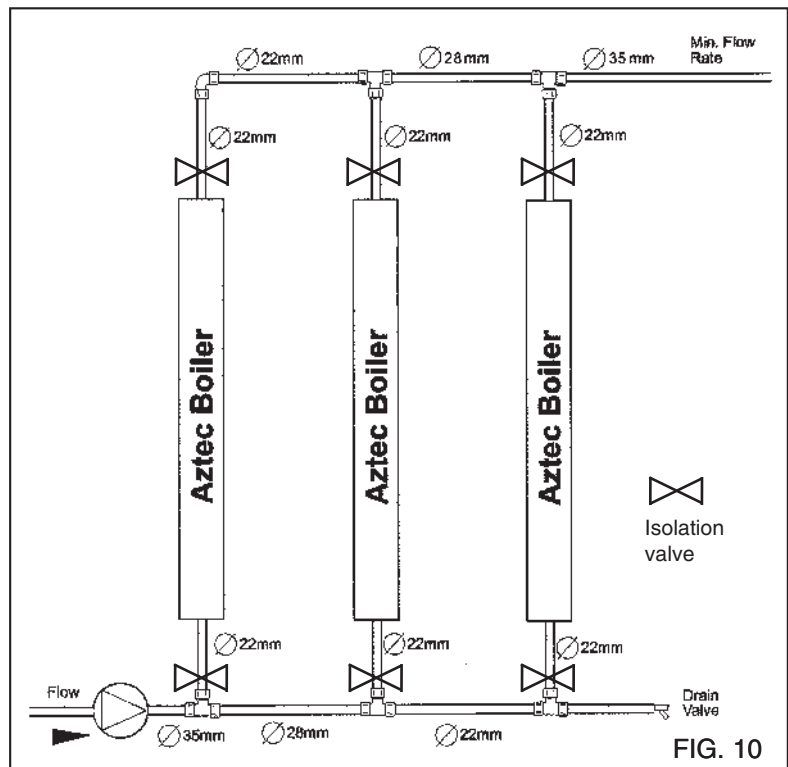
### Important

Where a greater output is required, more than one boiler can be used in the same system. However, if installing a circulating pump with a higher power demand, the PCB circuit protection fuse may require up-rating from the 630ma one supplied as standard. Alternatively, the pump could be wired using a relay. See Wiring Instructions (page 10) for further details.

The boilers must be fitted side by side using common flow & returns. For each additional boiler fitted, it is recommended that the pipe work is increased in size and the pump set to deliver the combined flow rates. The circulating pump will be connected to one of the boilers with the up-rated PCB fuse.

We strongly recommend the positioning of isolation valves on the flow and return pipework of each boiler, as there may be a need to isolate one or more during servicing. (see Fig. 10)

Please contact the Technical Support team for further information.



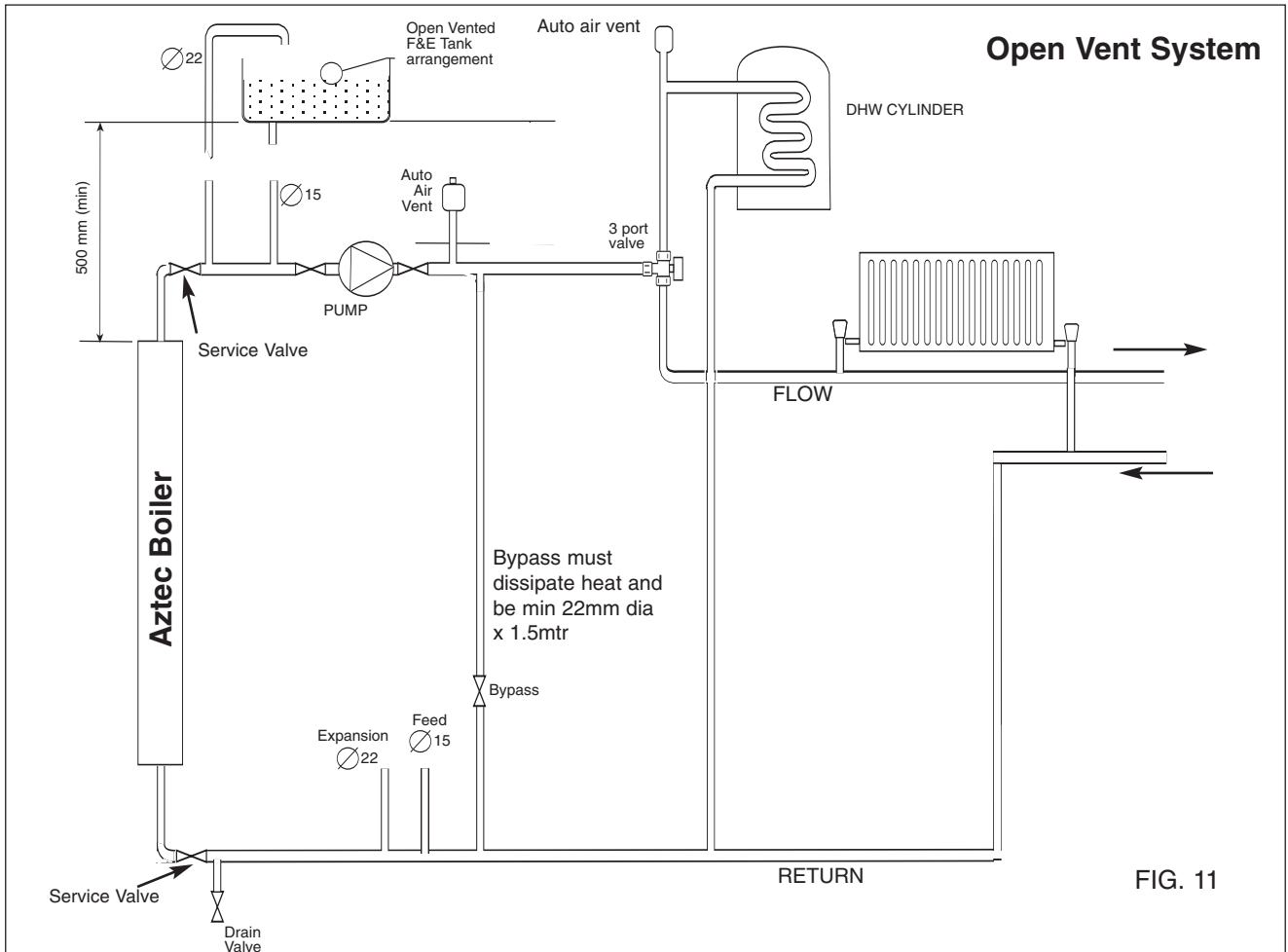


FIG. 11

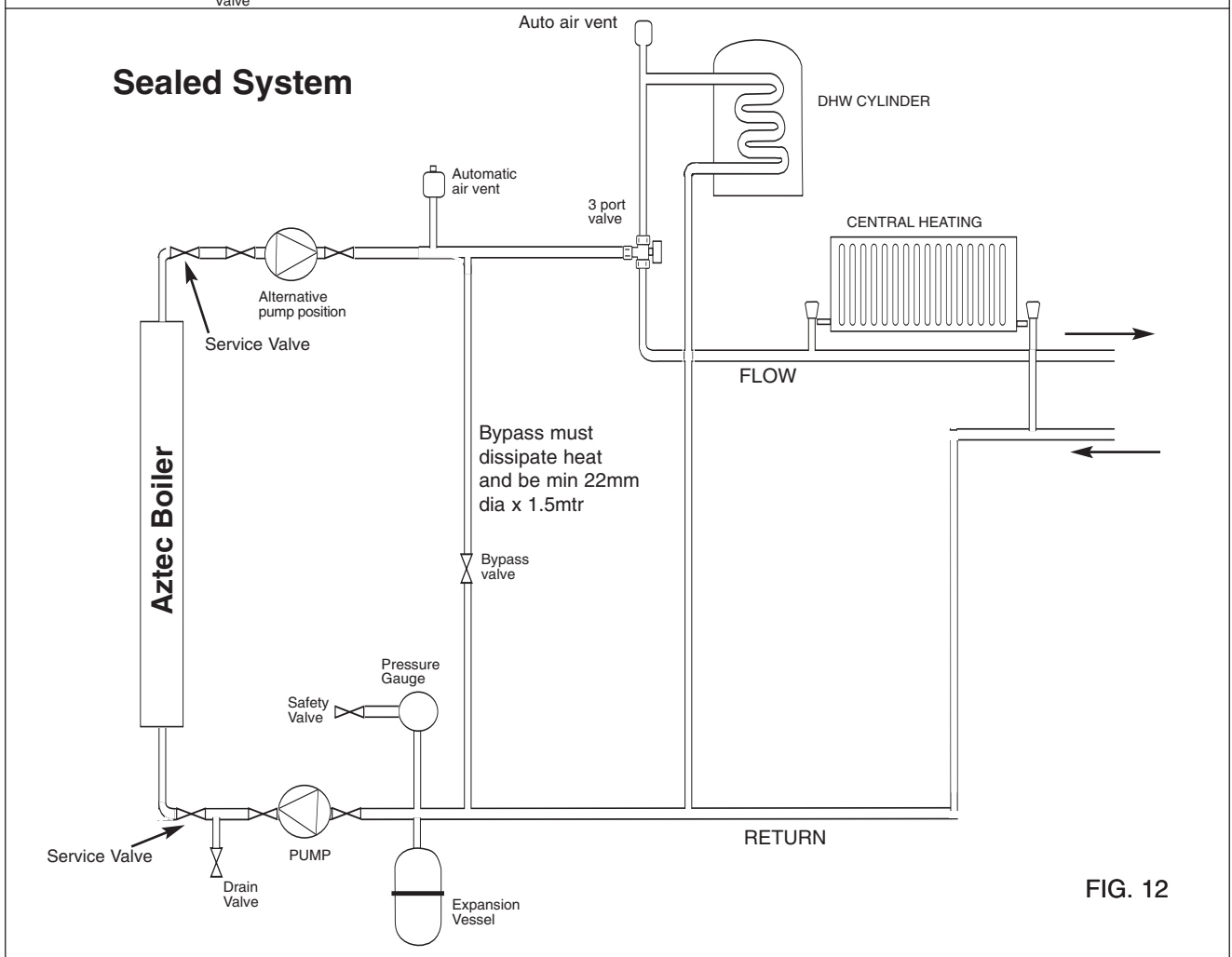


FIG. 12

# WIRING INSTRUCTIONS

**ALL ELECTRICAL WORK MUST BE CARRIED OUT IN ACCORDANCE WITH CURRENT IEE WIRING REGULATIONS (SIXTEENTH EDITION).**

**BEFORE COMMENCING INSTALLATION CHECK POWER SUPPLY TO PROPERTY TO ENSURE THAT THERE IS SUFFICIENT CURRENT AND VOLTAGE AVAILABLE FOR SIZE OF BOILER BEING FITTED. TAKE INTO ACCOUNT REQUIREMENTS OF OTHER ELECTRICAL APPLIANCES. THE BOILER MUST BE CONNECTED TO THE MAINS SUPPLY BY MEANS OF A DOUBLE POLE LINKED SWITCH WITH 3MM CONTACT GAP IN BOTH POLES.**

**IMPORTANT:** After completing electrical installation work preliminary safety checks should be carried out as described in BS 7671:2001

**IMPORTANT:**

The electrical supply requirements:-  
 The 2 kW boilers and 6 kW boiler supplies should meet the requirements of EN 61000-3.3.  
 The 9 kW and 11 kW boiler must be installed in premises having a service supply of  $\geq 100A$  per phase and meet the requirements of IEC 60417-5855.  
 The 12 kW boiler must be installed in premises having a

A double pole RCD with trip level sensitivity of 30ma can be used capable of breaking full load current to BS EN61008: 1994

**NOTE RCD UNIT** can be used as the isolating switch if mounted close enough to the boiler.  
 Miniature circuit breakers MCB **MUST** be fitted between RCD unit and boiler and RCD and any external controls. Refer to technical specification. For MCB ratings refer to wiring diagram.

It is important the correct size MCB is used in the supply from the RCD to the boiler. An additional MCB rated 6 A will be required to supply the external controls.

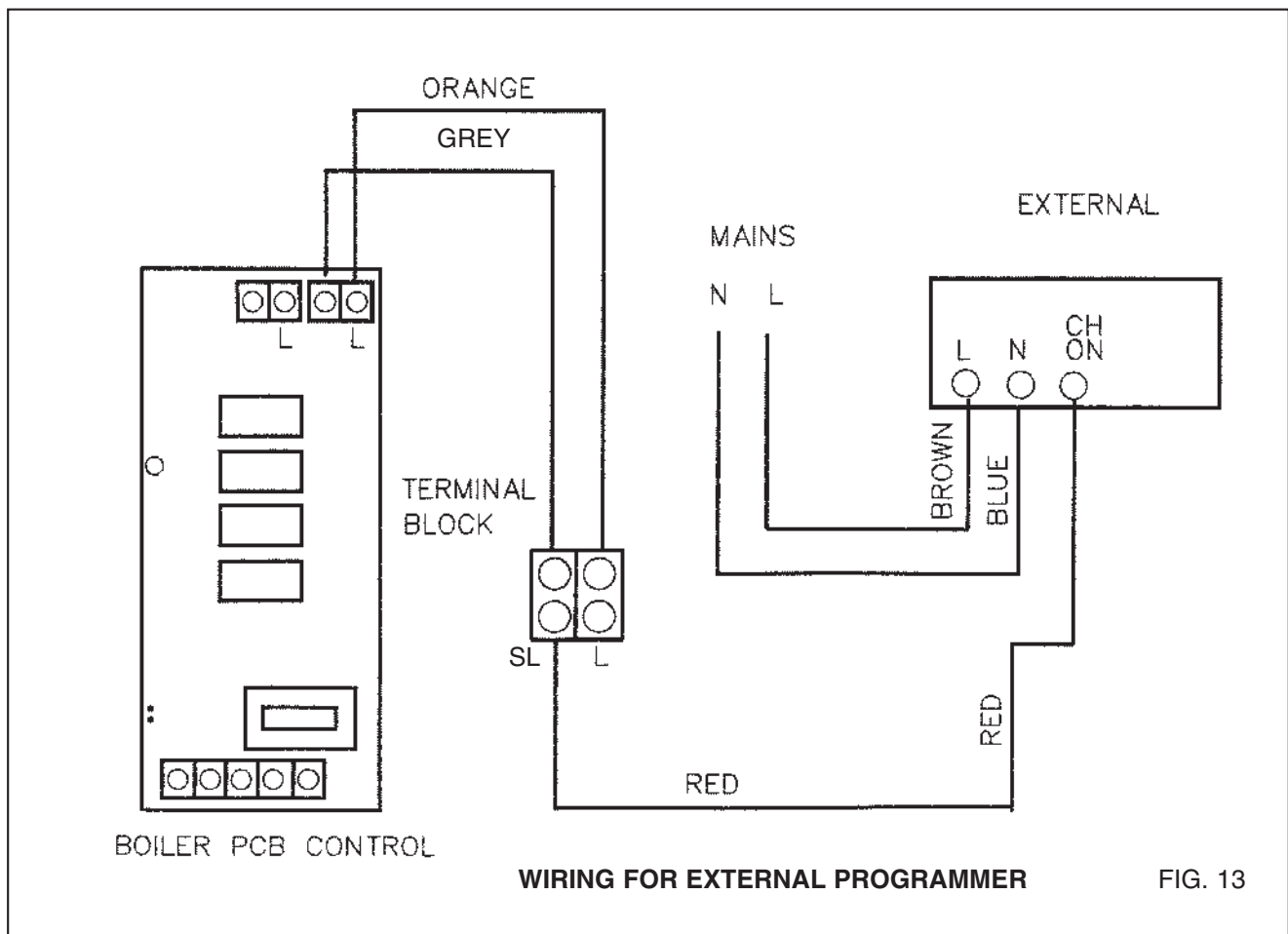
**ELECTRICAL CONNECTIONS**

**WARNING: THIS APPLIANCE MUST BE EARTHED.**

The mains connection block is located inside the boiler on a bracket at top left hand side of the boiler which can be directly wired to the boiler MCB. Use the correctly rated cable.

Where the pump is wired directly back to the boiler both live and neutral connection must be used with the earth being wired back to the earth post. This is important as the pump is controlled by a switched neutral. This also applies to pumps being controlled by a relay.

**IMPORTANT: CORRECT POLARITY MUST BE OBSERVED WHEN BRINGING THE MAINS SUPPLY INTO THE BOILER.**



# WIRING INSTRUCTIONS

## (continued)

### 3 PHASE SUPPLY CONNECTIONS FOR 2 OR MORE BOILERS

#### MAINS SUPPLY CABLES

Connect each boiler to each phase.

#### CONTROLS SIGNAL

Wire as shown in wiring diagram.

#### PUMP CONNECTIONS

The pump to be connected to one boiler only.

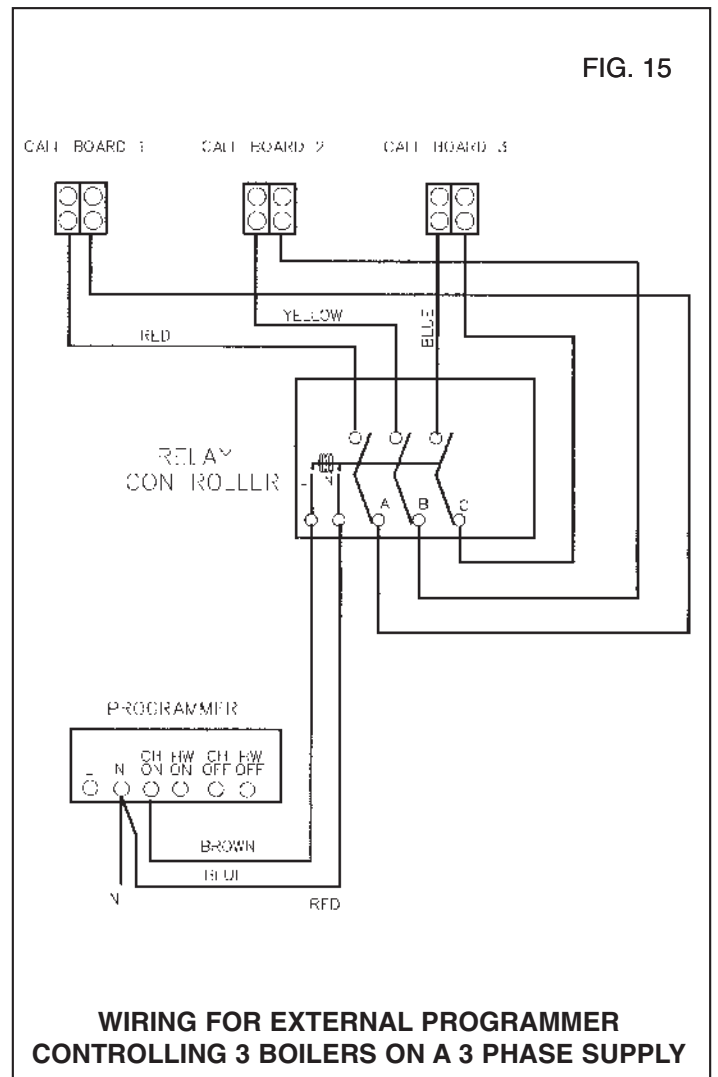
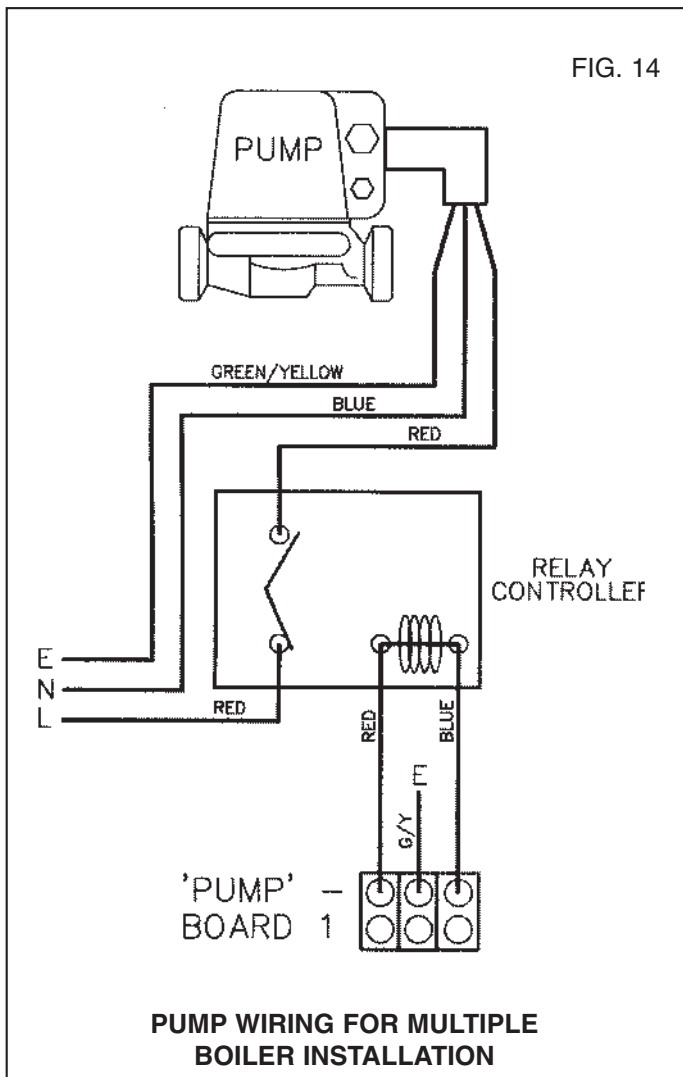
See wiring diagram

**IMPORTANT: ALL ELECTRICAL CONNECTIONS SHOULD BE CHECKED, LOOSE CONNECTIONS CAN CAUSE PROBLEMS.**

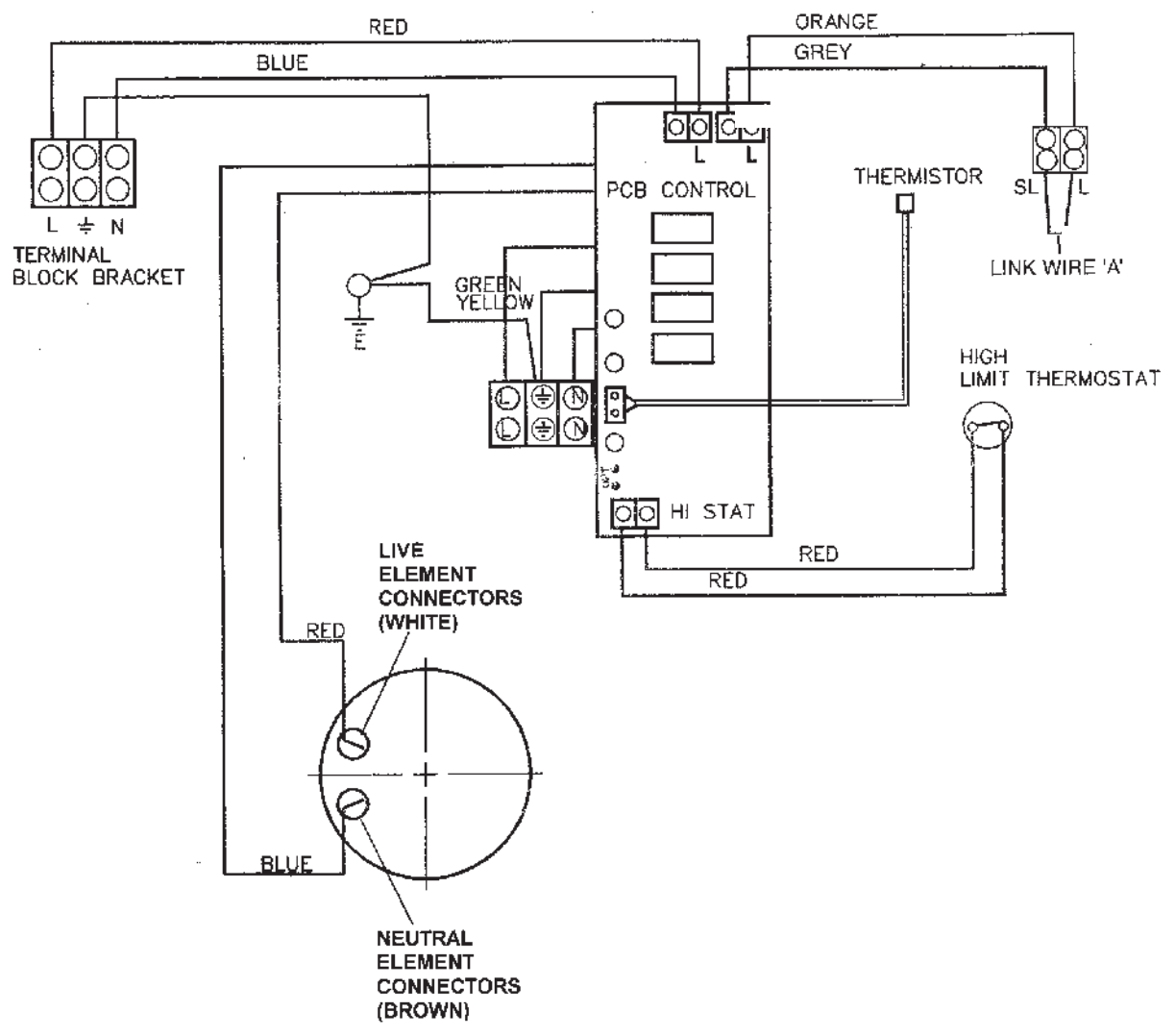
#### WARNING: THIS APPLIANCE MUST BE EARTHED

1. Any exposed pipe work must be earthed in accordance with IEE regulations.
2. On completion of installation all electrical; work must be tested to IEE regulations and NICEIC inspection and completion certificate must be issued.

**IMPORTANT:** When a 3-phase supply, a warning notice **MUST** be placed by the boiler to indicate a voltage in excess of 250v.



**IMPORTANT: REMOVE LINK WIRE 'A' WHEN WIRING CALL SIGNAL INTO 'SL' TERMINAL**

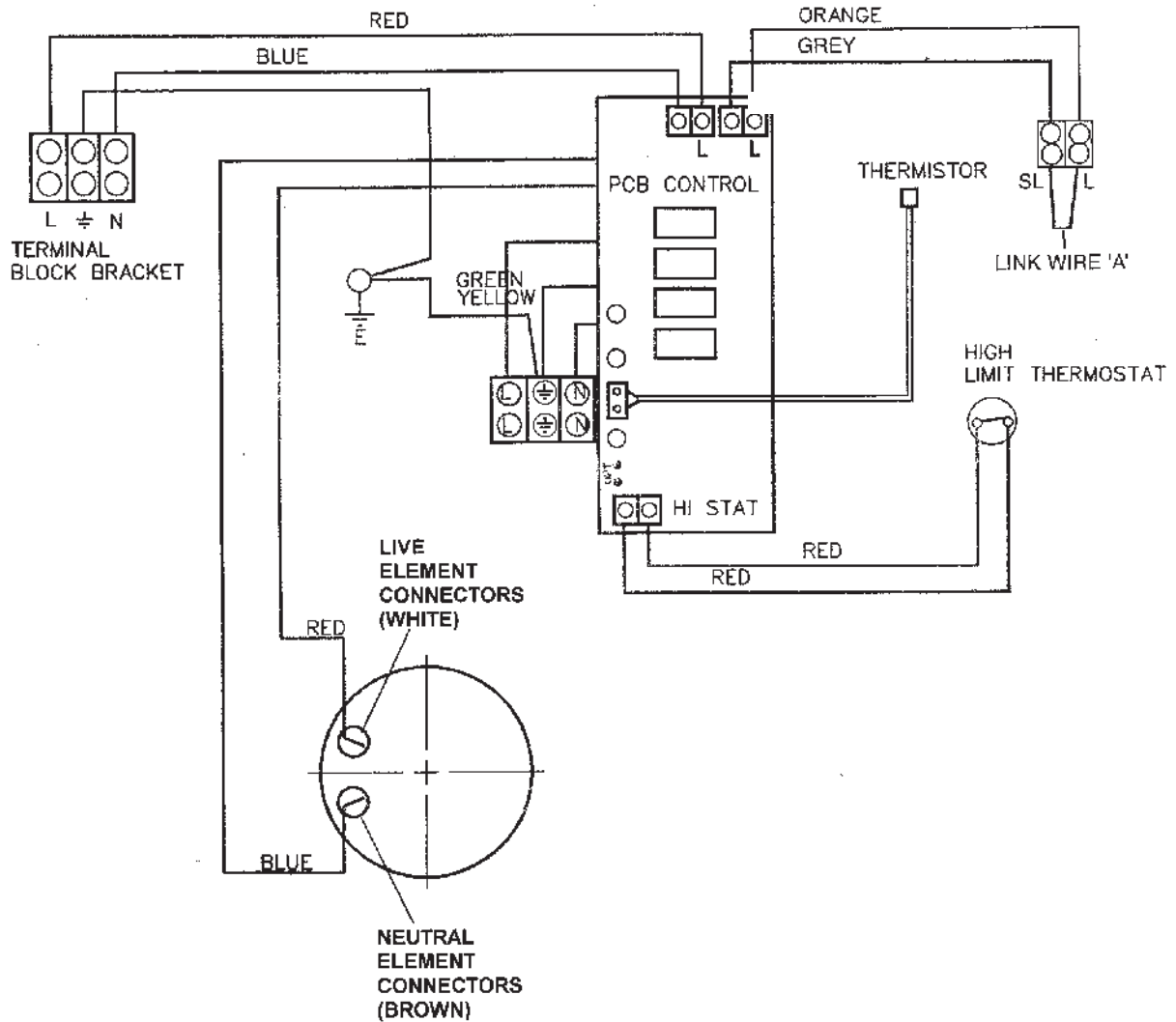


**INTERNAL WIRING  
(SHOWING 1 ELEMENTS 2 KW MODEL)**

**IMPORTANT**  
When fitting programmer always connect to boiler as shown in wiring diagram

FIG. 16

**IMPORTANT: REMOVE LINK WIRE 'A' WHEN WIRING CALL SIGNAL INTO 'SL' TERMINAL**

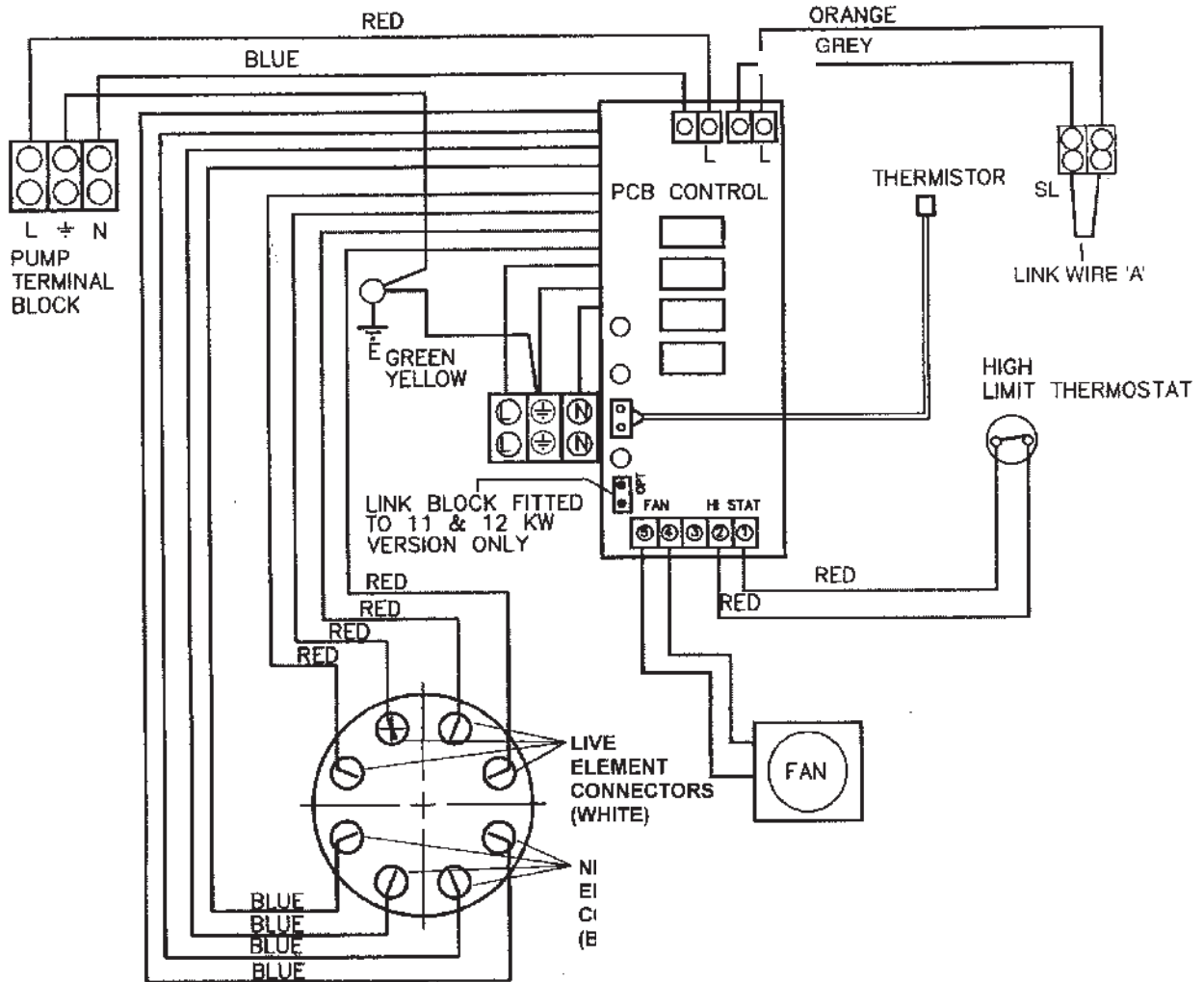


**INTERNAL WIRING  
(SHOWING 3 ELEMENTS 6 & 9 KW MODEL)**

**IMPORTANT**  
When fitting programmer always connect to boiler as shown in wiring diagram

FIG. 17

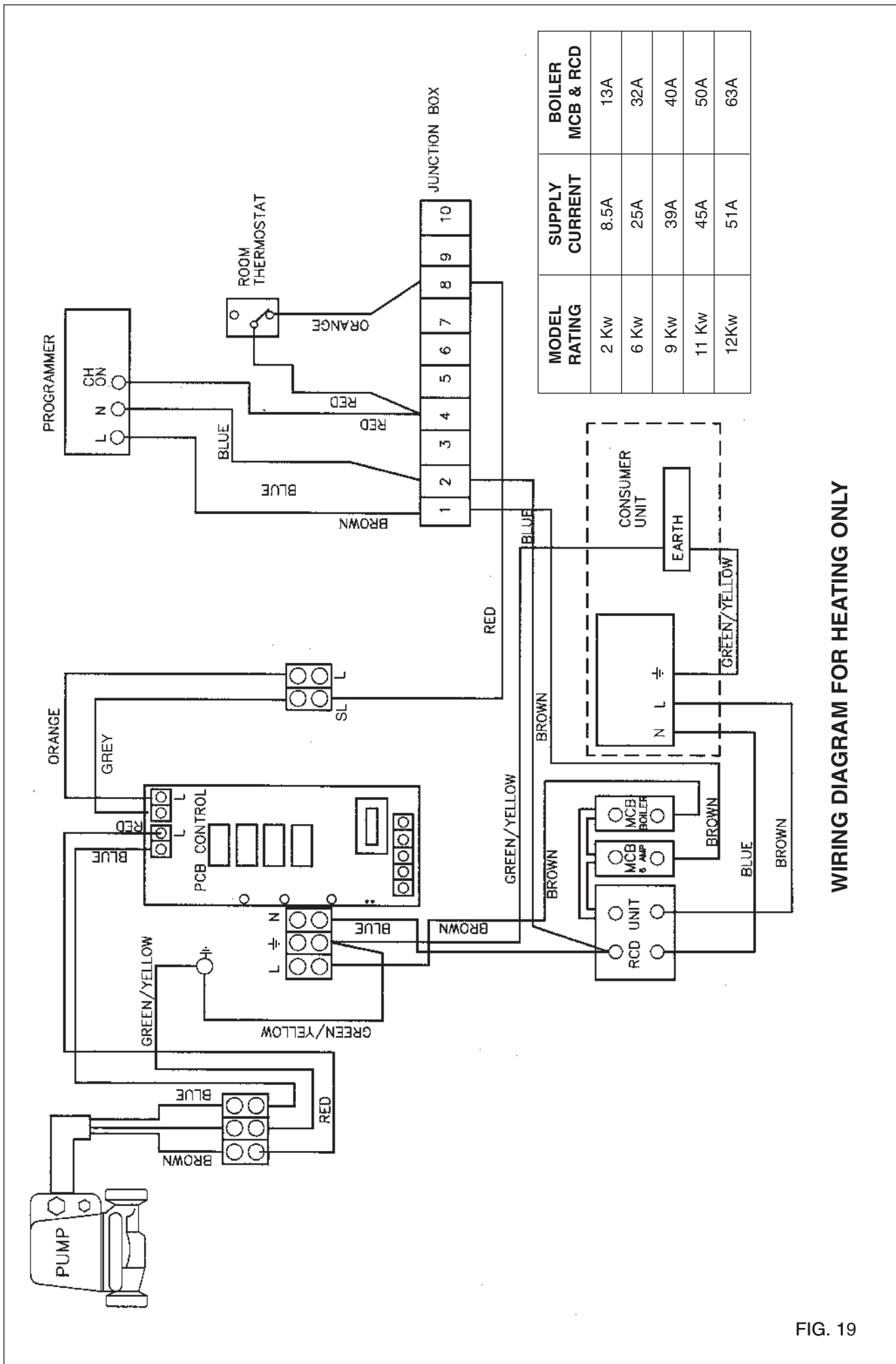
**IMPORTANT: REMOVE LINK WIRE 'A' WHEN WIRING CALL SIGNAL INTO 'SL' TERMINAL**



**INTERNAL WIRING  
(SHOWING 4 ELEMENTS 11 & 12 KW MODEL)**

**IMPORTANT**  
When fitting programmer always connect to boiler as shown in wiring diagram

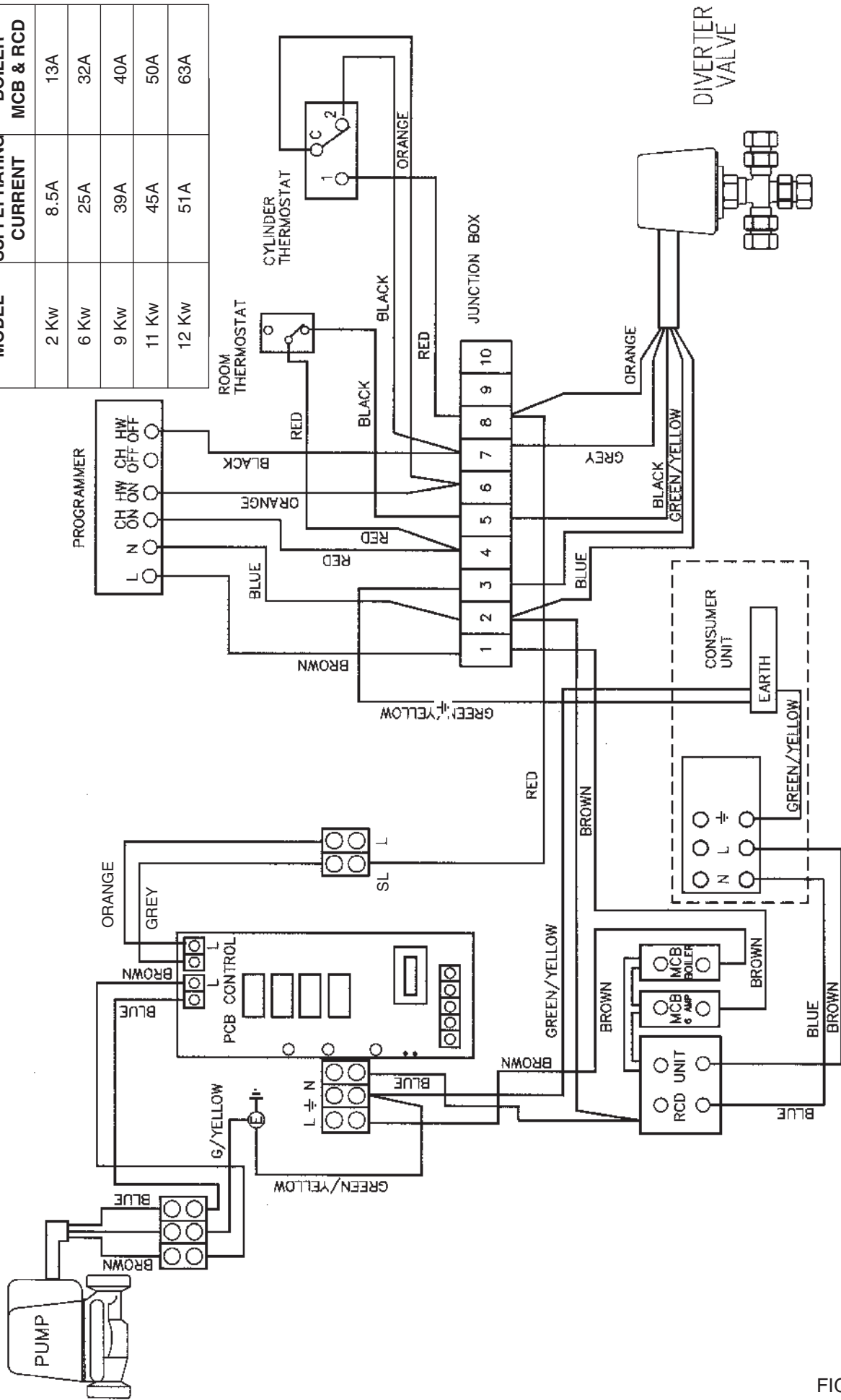
FIG. 18



WIRING DIAGRAM FOR HEATING ONLY

FIG. 19

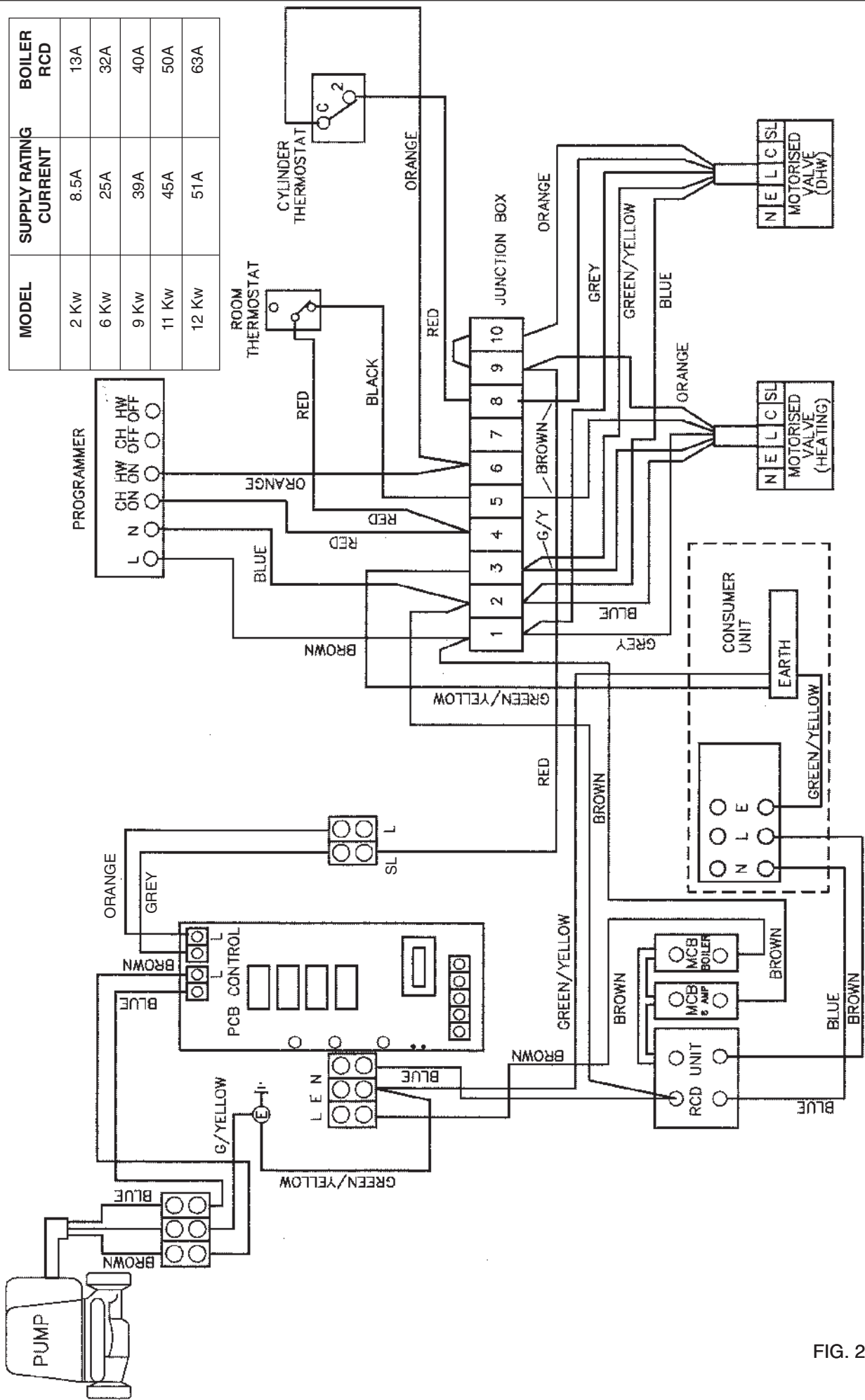
| MODEL | SUPPLY RATING CURRENT | BOILER MCB & RCD |
|-------|-----------------------|------------------|
| 2 Kw  | 8.5A                  | 13A              |
| 6 Kw  | 25A                   | 32A              |
| 9 Kw  | 39A                   | 40A              |
| 11 Kw | 45A                   | 50A              |
| 12 Kw | 51A                   | 63A              |



WIRING DIAGRAM FOR Y PLAN CONTROL SYSTEM

FIG. 20

| MODEL | SUPPLY RATING CURRENT | BOILER RCD |
|-------|-----------------------|------------|
| 2 Kw  | 8.5A                  | 13A        |
| 6 Kw  | 25A                   | 32A        |
| 9 Kw  | 39A                   | 40A        |
| 11 Kw | 45A                   | 50A        |
| 12 Kw | 51A                   | 63A        |



WIRING DIAGRAM FOR S PLAN CONTROL SYSTEM

FIG. 21

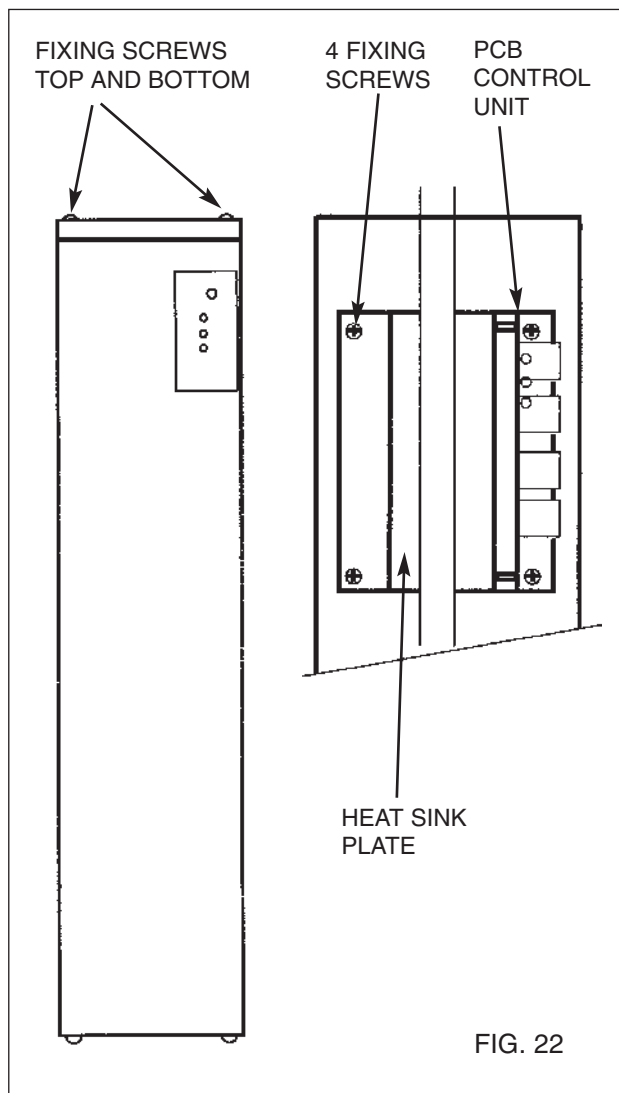
## 5. SERVICING

To ensure reliable operation of your Aztec electric boiler, it is recommended that you have your boiler serviced once a year.

**The person(s) who services or carries out any remedial work, ie electrical fault finding, must have suitable engineering qualifications.**

**Isolate mains supply before carrying out any service work.**

1. Check all electrical connections on PCB and electric elements to ensure they are secure and clean
2. Check electrical insulation on wiring.
3. Inspect fan unit (9, 11 and 12kW boilers) and clean away any deposits
4. Ensure all air grilles are clean and free from obstructions.
5. Inspect seals around elements and also the heat exchanger top and bottom flanges.



## PARTS REPLACEMENT

### CASING REMOVAL

#### IMPORTANT

Isolate mains electrical supply to the boiler before carrying out any maintenance work.

1. Isolate electrical supply to boiler.
2. Remove 4 fixing screws securing front casing in position.
3. Slide top casing upwards this will allow front casing to slide forward.

**IMPORTANT: All electrical connections should be checked. Loose connections can cause problems.**

This boiler is fitted with a manual reset high limit thermostat. Before replacing any part, ensure that the thermostat does not require re-setting.

### PCB ASSEMBLY REPLACEMENT

Note: The PCB is supplied with the element jumper fitted suitable for 11kW and 12kW boilers. When fitted to a 6kW or 9kW boiler, the element jumper must be removed. This is not applicable to the 2kW unit.

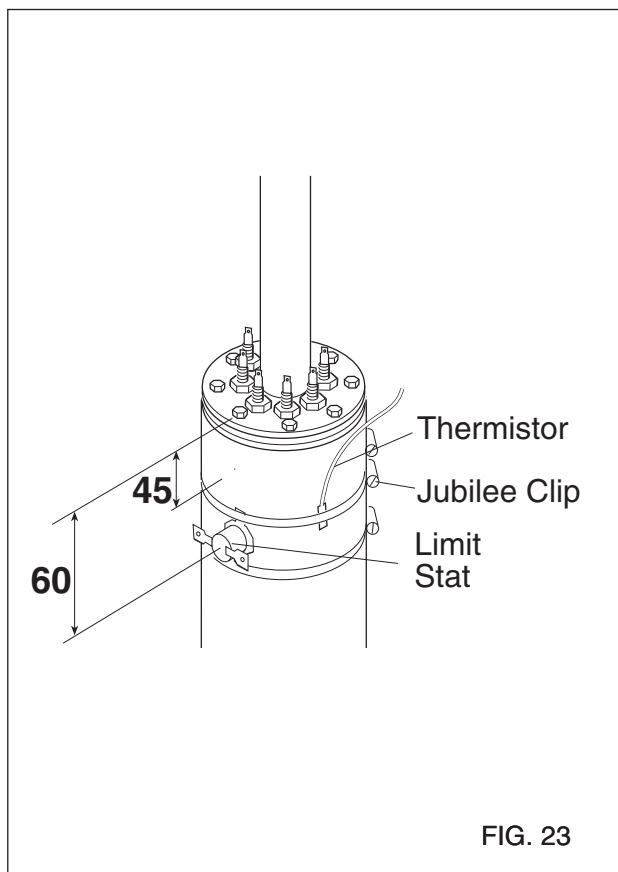
1. Ensure electrical supply is isolated to boiler.
2. Remove the 4 fixing screws and washers (2 at top/2 at bottom), lift up the top-plate and carefully slide off the front casing panel.
3. Disconnect the Pump + Call plug, the Thermistor plug and the fan (where fitted) and high limit stat. plug.
4. Disconnect all element cables apart from the rear element. N.B. Take note of wiring arrangement before disconnecting.
5. Now remove the grey pipe insulation, it is now possible to disconnect the remaining element.
6. With all elements disconnected, again taking note of wiring arrangement, carefully disconnect and remove the element cables from the PCB.  
Important: care MUST be taken when handling the PCB.
7. Disconnect the remaining red + black power cables from the PCB.
8. For ease of access disconnect from the main terminal block both the red + black cables and also the power input cables, leaving the earth cable connected
9. Free both the pump and call terminal blocks by removing the terminal block fixing screws.
10. Now remove the fan cover from the LHS of the unit by removing the 2 fixing screws situated just behind the flow pipe.
11. Remove the fan from the back panel by removing the 2 fixing screws.
12. Now remove the screws which fasten the pipe bracket/air duct to the aluminium heatsink.
13. Finally remove the 4 fixing screws holding the heatsink in position and allow the PCB assembly to drop down about an inch before removing from the RHS of the unit.
14. Re-fit in reverse order – **on re-assembly always refer to wiring diagram.**

## HIGH LIMIT THERMOSTAT REPLACEMENT

1. Ensure electrical supply is isolated to boiler
2. The high limit thermostat can be found fixed to top front face of boiler.
3. Remove 2 terminal connectors from high limit thermostat loosen retaining straps and slide thermostat out from behind.
4. Important when replacing thermostat ensures a heat sink compound is used between back of thermostat and face of boiler. (See diagram for positioning)
5. Inspect retaining straps and replace where necessary.

## THERMISTOR REPLACEMENT

1. Isolate electrical supply to boiler.
2. Thermistor is located fixed to top front of boiler above high limit thermostat.
3. Disconnect from PCB board and slide out from behind retaining strap.
4. Important when replacing thermistor ensure a heat sink compound is used between thermistor and boiler body. (See diagram for positioning)
5. Inspect retaining strap and replace where necessary.
6. When replacing front casing, ensure the thermostat control shaft passes through hole in front control panel.



## ELEMENT REPLACEMENT

1. Isolate electrical supply to boiler.
2. Drain down system.
3. Disconnect terminal connectors from high limit thermostat.
4. Remove thermistor from behind retaining strap.
5. Disconnect electrical elements and earth wire.
6. Disconnect compression fitting top and bottom of boiler.
7. Remove securing bracket on bottom of boiler then carefully remove top bracket.
8. Boiler unit can now be carefully removed.
9. Remove eight fixing screws on top flange and with draw element assembly.
10. Remove bottom element positioning bracket.
11. Remove damaged element.
12. Refit in reverse order ensure element seals are fitted.
13. Check for continuity through two terminals on each element.

### IMPORTANT

**Inspect all seals and change where necessary**

## COOLING FAN REPLACEMENT (9, 11 & 12 kW MODELS ONLY)

1. Ensure electrical supply is isolated to boiler.
2. Remove the four casing screws (2 at top/2 at bottom) lift up the top casing and carefully slide off the front casing panel.
3. Taking note of which cable goes to which element, disconnect all elements apart from the rear element.
4. Remove the grey pipe insulation, after pipe insulation is removed it is now possible to disconnect the remaining element.
5. For ease of access disconnect the mains input cable from the main terminal block, also disconnect the pump cable from its terminal block.
6. Now unscrew the two terminal block fixing screws, freeing the pump terminal block from the back panel.
7. Remove both the screws holding the fan cover (situated just behind the flow pipe).
8. Now lift out the cover from the LHS of the appliance.
9. Noting its position remove the fan by disconnecting the plug from PCB and removing all 2 fixing screws.
10. Re-fit in reverse order – **on re-assembly always refer to wiring diagram.**

**NOTE:** Ensure that the fan is fitted in the correct orientation (label to face front of boiler).

WIRING ARRANGEMENTS FOR AZTEC 11 & 12 KW MODELS  
**ON AZTEC 6 & 9 KW MODELS ELEMENT 1  
 CONNECTIONS ARE NOT USED**

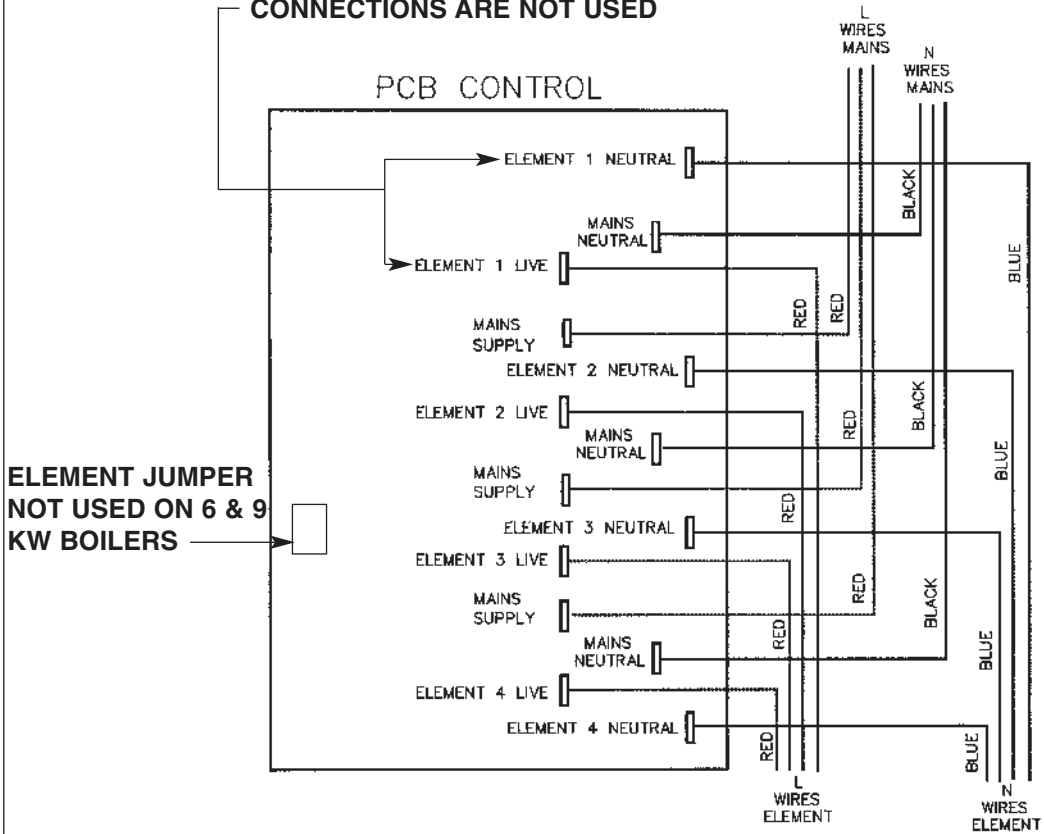


FIG. 24

WIRING ARRANGEMENT  
 ON AZTEC 2 KW MODEL

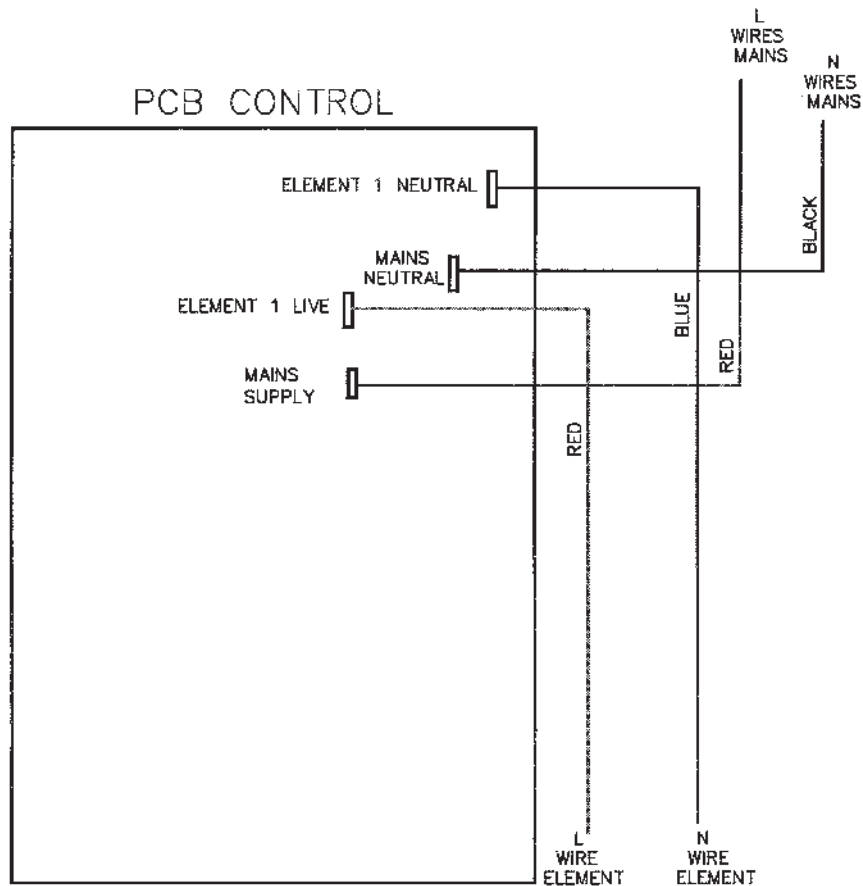


FIG. 25

## **FAULT FINDING**

### **Red LED permanently illuminated indicates one of the following faults.**

#### **High limit thermostat has operated or faulty electrical connections**

The high limit thermostat is fitted to the front top of the copper heat exchanger and secured in position with 2 retaining clamps.

Check electrical connections on thermostat and PCB to check thermostat has not failed using a multi meter check continuity across terminals of thermostat.

To reset press red button in centre of thermostat.

Thermostat may have tripped due to one of the following:-

1. Faulty circulation pump
2. Isolation valve on system closed
3. Air trapped in system
4. Out of calibration limit thermostat
5. Temperature settings on PCB board incorrect
6. No water in system

#### **Thermistor**

The thermistor is fitted to the front top of the heat exchanger and secured in position with a clamp, the other end terminates with a white connector that plugs on to the PCB

Check the connections on the board to make sure it is correctly fitted; also inspect the thermistor for any broken wires.

#### **Mains Inlet Wiring**

If the mains supply to the boiler is wired incorrectly on the inlet terminal block.

#### **PCB Board Damage**

Inspect the LED lights and the boiler temperature control adjuster for any damage to connections to PCB controller.

#### **Voltage Drop**

If the voltage drops below 207 volts.

### **Red LED flashes indicates one of the following faults.**

#### **Poor electrical connection**

Check the electrical connections to the elements and the PCB controller, a poor controller would show up a fault.

#### **Element Failure**

To check elements for failure, disconnect each individual element and check continuity through the element if there is continuity between the two terminals the element is ok. Check each element individually replacing the electrical connectors after testing.

#### **Element Cables**

If there is a break in the element cable, this would show up as a fault. Check all element cables and connections.

#### **PCB Running Temperature**

The PCB control unit has a built in temperature control sensor which protects the PCB from overheating, if the board was to overheat the sensor would detect the high temperature and shut off the power to the board until the board temperature has returned to normal running temperature. The boiler will resume operation but the red light will continue to flash to indicate a fault has occurred. To reset the board the power must be turned off for 30 seconds then switched on again.

On the 9, 11 and 12 kW boilers a cooling fan is fitted to the heatsink if this has failed, it would cause the PCB to overheat.

To differentiate between a temperature or element problem, switch off the power supply to the boiler allow the boiler to cool down then switch the power back on, if the LED continues to flash then check elements and connections.

#### **Green LED**

If the green LED is illuminated but the boiler is not functioning, check that any external controls fitted are calling for heat. If no external controls are fitted check that link wire is in place on call terminal block (refer to wiring diagram Fig 1)

#### **Blown Fuse on board**

If there is power to the boiler but no LED illuminated then the fuse on the PCB may have blown. The fuse is located above the PCB transformer (fuse type 20mm 630Ma anti surge Bessman type S560)

The fuse may have blown due to one of the following:-

1. When multiple boilers are fitted and a larger pump is used. If the pump is wired directly into the PCB the fuse may need upgrading. (see page 11)
2. If the call terminal is used to supply power to ancillary controls.

#### **Element Jumper Connection**

Fitted on 11 and 12 kw models only. If fitted to 6 and 9 kw models it will show up as a fault.

## **RCD UNIT TRIPS**

Check that the RCD unit is correctly rated for boiler size. If under size change.

Inspect mains terminal block wiring for short-circuiting. Check electrical elements for earth continuity, if element is found to be faulty fit new element.

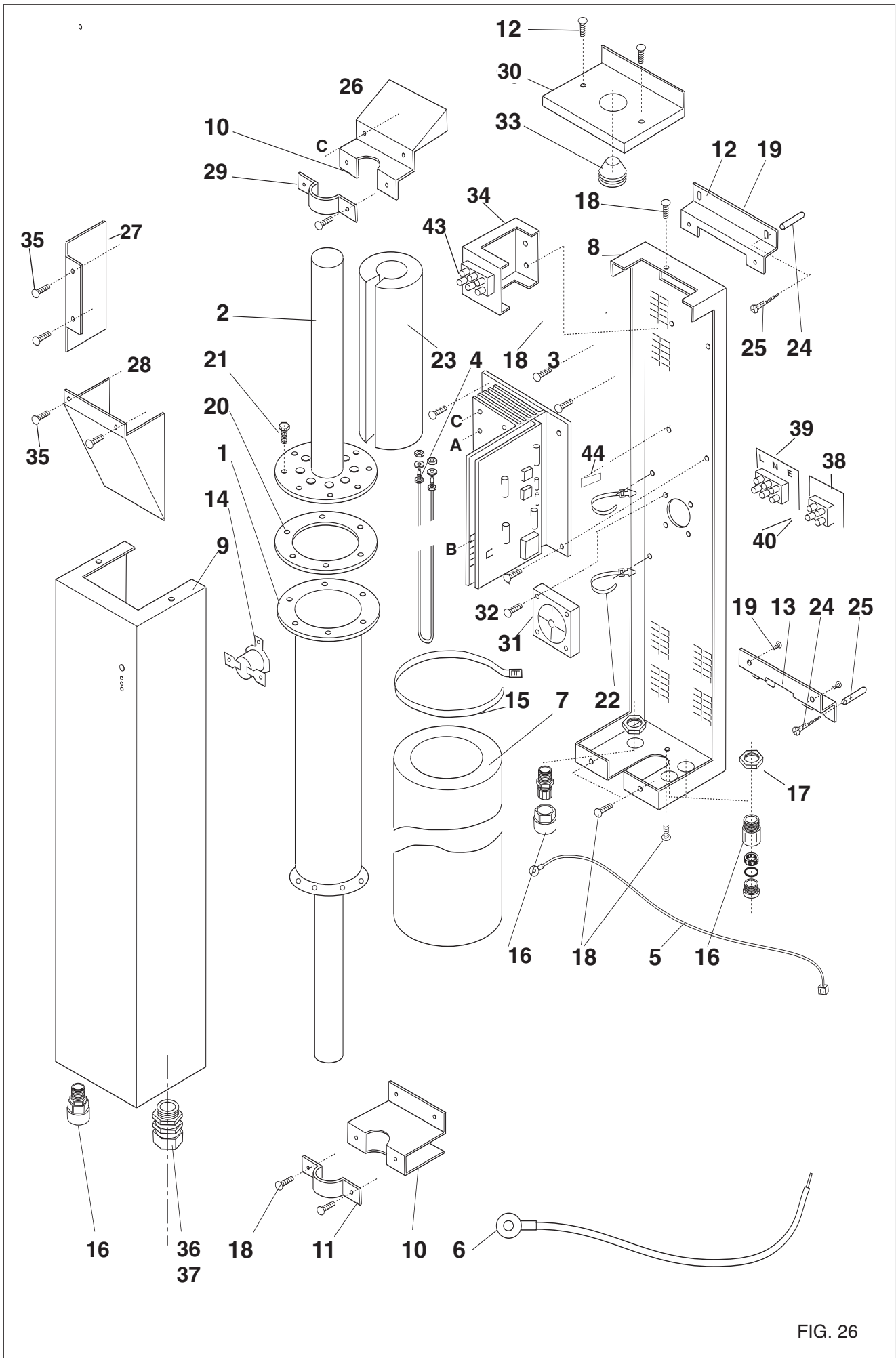


FIG. 26

## SPARES LIST

| KEY No | G.C No  | DESCRIPTION                                  | No OFF | TRIANCO PART NO |
|--------|---------|--|--------|-----------------|
| 1      | E94-755 | Boiler Tube Assembly 2 kW                    | 1      | 221881          |
| 1      | E94-756 | Boiler Tube Assembly 6 kW                    | 1      | 221882          |
| 1      | E94-757 | Boiler Tube Assembly 9 kW                    | 1      | 221883          |
| 1      | E94-757 | Boiler Tube Assembly 11 kW                   | 1      | 221884          |
| 1      | E94-757 | Boiler Tube Assembly 12 kW                   | 1      | 221880          |
| 3      | E94-759 | PCB Control Unit 2kW                         | 1      | 222558          |
| 3      | E94-760 | PCB Control Unit 6, 9, 11, 12 kW             | 1      | 221823          |
| 4      | E94-761 | 2 kW Electric Element 2 kW boiler            | 1      | 221838          |
| 4      | E94-762 | 2 kW Electric Element 6 kW boiler            | 3      | 221802          |
| 4      | E94-762 | 2 kW Electric Element 11 kW boiler           | 1      | 221802          |
| 4      | E94-763 | 3 kW Electric Element 6, 9, 11, 12 kW boiler | 3      | 221850          |
| 5      | E94-764 | Thermistor                                   | 1      | 221824          |
| 14     | E94-765 | High Limit Thermostat                        | 1      | 221825          |
| 31     | E94-766 | Fan & Wiring Assembly 9, 11 and 12 kW only   | 1      | 221786          |
| 44     | -       | Fuse (630ma)                                 | 1      | 221903          |



By appointment to H.M. Queen Elizabeth  
The Queen Mother  
Manufacturers of Domestic Boilers



**TRIANCO LIMITED**  
Thorncliffe, Chapeltown, Sheffield S35 2PH  
Tel: Sheffield (0114) 257 2300  
Fax: (0114) 257 1419  
[www.trianco.co.uk](http://www.trianco.co.uk)



© Trianco Limited, Copyright in this brochure and the drawings or illustrations contained in it is vested in Trianco Limited and neither the brochure or any part thereof may be reproduced without prior written consent.

Trianco Limited's policy is one of continuous research and development. This may necessitate alterations to this specification.