



Heat technology since 1959

# USER MANUAL

Model **RS 20 E / 40 - 60**

---

**TYPE C** ROOM SEALED



Model **RS 24 E / 70 - 90**

---

**TYPE C** ROOM SEALED



*The code of practice for the installation,  
commissioning & servicing of gas fires and wall heaters*

## BOILER OPERATION AND ADJUSTMENT PROCEDURES FOR USERS

### Before turning on the boiler read the following warnings carefully .

Make sure that the warranty booklet carries the stamp of the CORGI registered technician (you can check this by contacting corgi on 01256.372200) responsible for installing the boiler. Installation, starting up for the first time, adjustments and maintenance operations must all be carried out solely by qualified technicians. Incorrect installation may cause damage to persons, animals or property for which the manufacturer cannot be held liable.

### WARNING!

- ⇒ **Do not start the boiler unless you are sure it has been thoroughly tested by an authorised technician.**
- ⇒ **Check that the regulations regarding air intakes and ventilation of the room where the boiler is installed have been fully complied with.**
- ⇒ **If the boiler should freeze up, under no circumstances attempt to turn it on but call the **RADIANT HELP LINE** immediately.**

### LEGEND (see fig. 1)

1. ON-OFF SWITCH
2. BOILER THERMOSTAT KNOB
3. WARNING: LOCK-OUT INDICATOR
4. OPERATING/ POWER INDICATOR

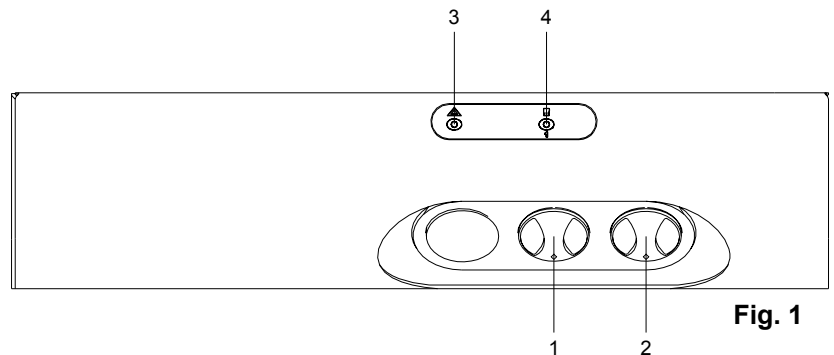


Fig. 1

### Turn ON/OFF switch to OFF position.

If the boiler will not be used for long periods it is recommended that the gas cock under the boiler be shut off.

## WARNINGS FOR THE USER

To keep the boiler in efficient and safe operating condition, carefully follow the instructions listed below:

- Have normal maintenance performed at least once a year by one of our authorised service centres (a fee will be charged), combustion tests are necessary every two years and should again be carried out by a qualified technician authorized by the manufacturer (in accordance with D.P.R. 412 regulations, 26-08-93).
- Periodically check system pressure on the pressure gauge and check that pressure is between 0.5 - 1.5 bar *with the system cold*.
- Do not clean the casing or internal parts of the boiler with thinners or solvents. Cleaning should always be done using only soap and water and be carried out by authorised personnel.
- Never leave flammable materials in the immediate vicinity of the boiler.
- For greater comfort and more rational use of heat, it is advisable to install a room thermostat connected to a clock timer to turn the boiler on and off during the course of the day or week with two temperature levels (in accordance with D.P.R. 412 regulations, 26-08-93).
- The boiler is equipped with an anti-freeze system, which comes into operation when the temperature reaches 5°C (heating sensor) and 4°C (hot water sensor), protecting the boiler down to a temperature of -2°C. *To protect the internal heating unit as well, fit a room thermostat or a remote control.*
- Please ensure you have a fully completed BENCHMARK BOOKLET and this is kept with your installation instructions.





Heat technology since 1959

**RADIANT BRUCIATORI s.p.a.**

Via Pantanelli, 164/166 - 61025 Loc. Montelabbate (PU)

Tel. +39 0721 9079.1 • fax. +39 0721 9079279

e-mail: tecnico@radiant • Internet: <http://www.radiant.it>

**UK – Radiant Helpline – 01329.828555**



***The code of practice for the installation,  
commissioning & servicing of gas fires and wall heaters***

ALL DESCRIPTIONS AND ILLUSTRATIONS CONTAINED IN THIS LEAFLET HAVE BEEN CAREFULLY PREPARED BUT WE RESERVE THE RIGHT TO MAKE CHANGES AND IMPROVEMENTS IN OUR PRODUCTS WHICH MAY AFFECT THE ACCURACY OF THE INFORMATION CONTAINED IN THIS LEAFLET. E + OE ALL RIGHTS RESERVED. NO PART OF THIS DOCUMENT MAY BE REPRODUCED, SAVED IN STORAGE SYSTEMS OR TRANSMITTED IN ANY FORM OR BY ANY MEANS, WHETHER ELECTRONIC, MECHANICAL, PHOTOCOPYING, RECORDING OR OTHERS, WITHOUT THE MANUFACTURER'S PRIOR AUTHORISATION IN WRITING.

**TA02B101.B1203**