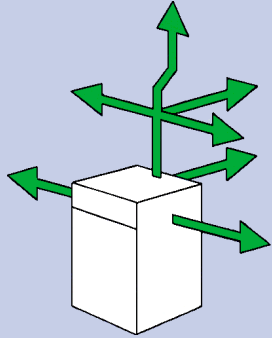
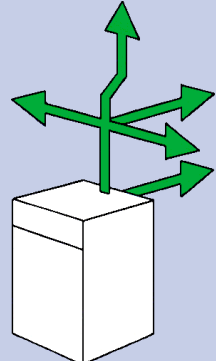


Flue Options

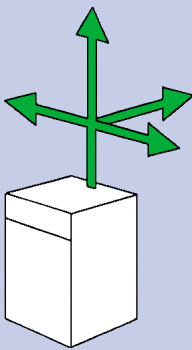
Camray 5, Camray 5 Utility, 40/65—95/130 And Bonus



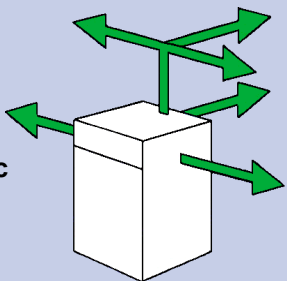
Camray 5 System and Camray 5 Utility System 40/65 - 95/130



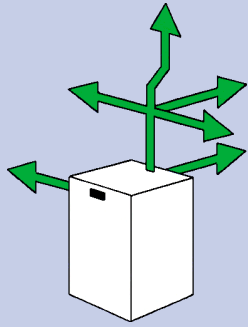
Camray 5 150/240



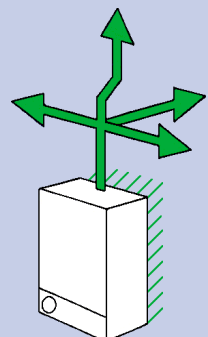
Classic



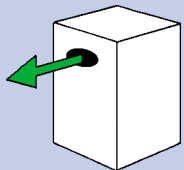
Camray 5 Combi



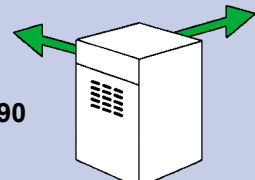
Camray 5 50/70 Wall hung



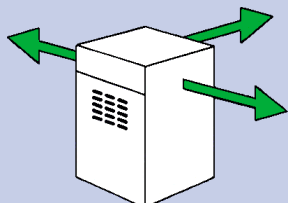
Camray 5 50/70 Wall hung (Integral)



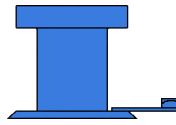
Camray 5 External Combi 90 (Flue supplied with boiler)



Camray 5 External 40/60 & 65/90 (Flue supplied with boiler)

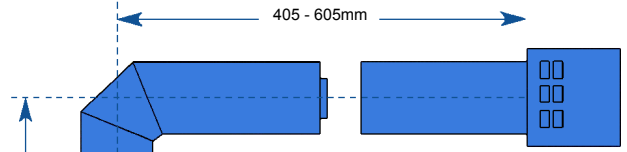


The Camray 5 150/240 Telescopic, Quick Fit Flue System



NB For conventional flue application the relevant flue adaptor **MUST** be fitted.

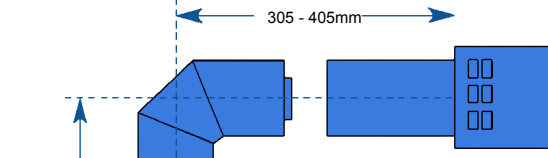
6" Conventional Flue Adaptor Part No. FC6CF



Standard High Level Flue Kit Part No. FC150HL

Use only One 460mm Ext. horizontally to give 700 - 1005mm
Use only One 870mm Ext. horizontally to give 1070 - 1415mm

CL of Flue to Floor 1310 - 1340mm



Short High Level Flue Kit Part No. FC150HLS

Use only One 460mm Ext. horizontally to give 605 - 805mm
Use only One 870mm Ext. horizontally to give 1015 - 1215mm

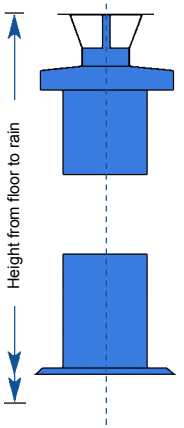
CL of Flue to Floor 1310 - 1340mm

Vertical Flue Kit Part No. FC150VL

For Vertical Flue Kit: Height from floor to rain cap.

Use two 870mm Ext. vertically to give 2910 - 3080mm
or use one 460mm & two 80mm Ext. vertically to give 3170 - 3480mm
or use three 870mm Ext. vertically to give 3580 - 3890mm
or use four 870mm Ext. vertically to give 4250 - 4700mm
or use five 870mm Ext. vertically to give 4920 - 5510mm

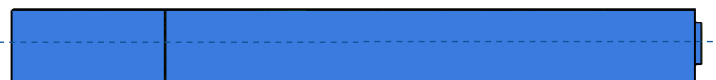
External diameter of vertical flue kit is 181mm



460mm Extension Part No. FL47330C



870mm Extension Part No. FL47335C



For High Level Horizontal Flue Kits:

Use one 460mm Ext. vertically to give 1680mm - 1740mm
or use 870mm Ext. vertically to give 2090 - 2150mm
or use one 460mm Ext. vertically to give 1940mm - 2140mm



INNER SEAL

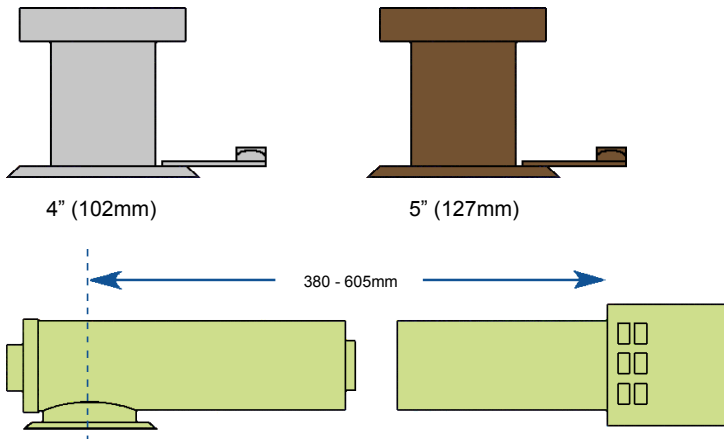


OUTER SEAL

NB All Camray 5 boilers are suitable for connection to open Flue with the fitting of appropriate adaptors, except for Camray 5 External models.

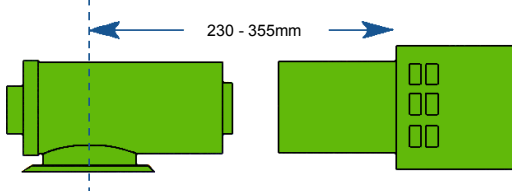
The Camray 5 floorstanding and Bonus Range Telescopic, Quick Fit Flue System for Sizes 40,000 - 130,000

NB For conventional flue application the relevant conventional flue adaptor **MUST** be fitted



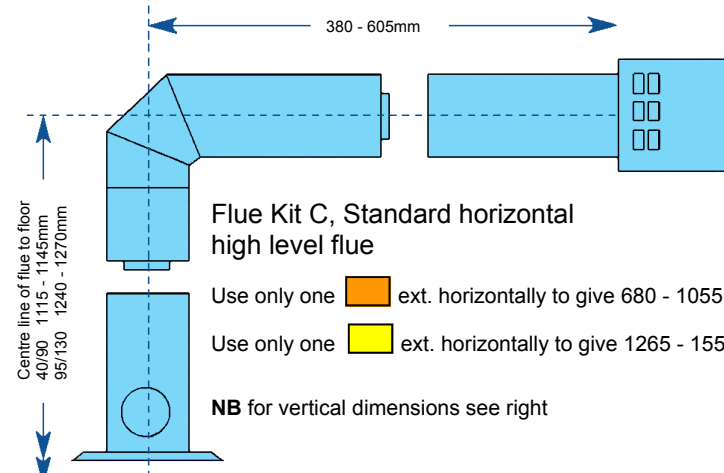
Flue Kit A, standard horizontal flue

Use only one ext. to give 680 - 1055mm
 or use only one ext. to give 1265 - 1555mm



Flue Kit B, short horizontal flue

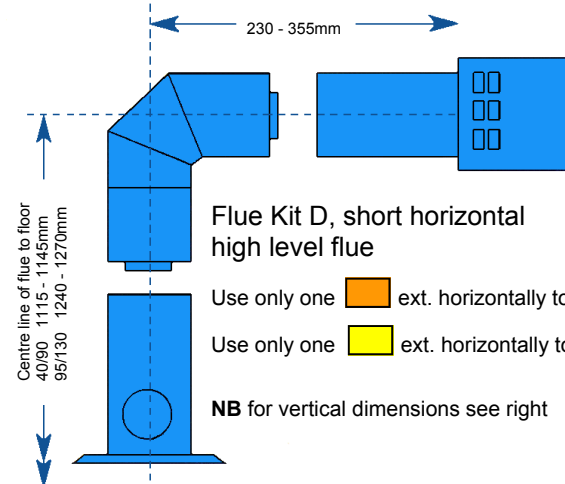
Use only one ext. to give 545 - 805mm
 or use only one ext. to give 1045 - 1305mm



Flue Kit C, Standard horizontal high level flue

Use only one ext. horizontally to give 680 - 1055mm
 Use only one ext. horizontally to give 1265 - 1555mm

NB for vertical dimensions see right

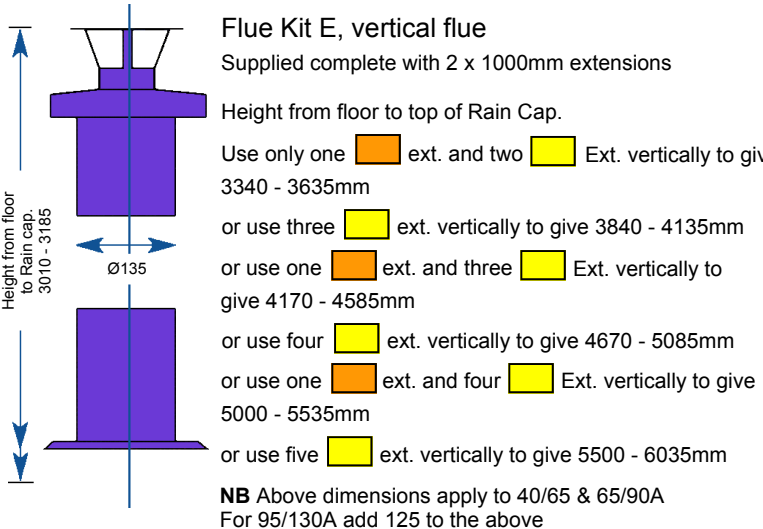


Flue Kit D, short horizontal high level flue

Use only one ext. horizontally to give 545 - 805mm
 Use only one ext. horizontally to give 1045 - 1305mm

NB for vertical dimensions see right

Colour	Part No.	Description
	FC4CF	4" (102mm) conventional flue adaptor 40/90
	FC5CF	5" (127mm) conventional flue adaptor 95/130
A	FC5LL	Standard horizontal flue
B	FC5LLS	Short horizontal flue
C	FC5HL	Standard horizontal level flue
D	FC5HLS	Short horizontal level flue
E	FC5VL	Vertical flue kit
	FL47130C	500mm extension vertical/horizontal
	FL47135C	1000mm extension vertical/horizontal
	FL55219C	45° bend (2 bends are required to form an offset)
	FL26160	Terminal guard



Flue Kit E, vertical flue
 Supplied complete with 2 x 1000mm extensions
 Height from floor to top of Rain Cap.
 Use only one ext. and two Ext. vertically to give 3340 - 3635mm
 or use three ext. vertically to give 3840 - 4135mm
 or use one ext. and three Ext. vertically to give 4170 - 4585mm
 or use four ext. vertically to give 4670 - 5085mm
 or use one ext. and four Ext. vertically to give 5000 - 5535mm
 or use five ext. vertically to give 5500 - 6035mm

NB Above dimensions apply to 40/65 & 65/90A
 For 95/130A add 125 to the above

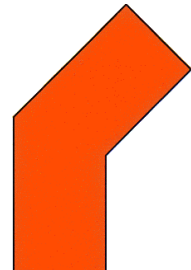
Applicable to both Flue Kit C and D	(mm)	
	40/90	95/130
Use only one ext. vertically to give	1510 - 1595	1640 - 1720
Use only one ext. vertically to give	2010 - 2095	2140 - 2220
Use only two ext. vertically to give	1810 - 2045	1940 - 2170



Extension 1 - 500mm



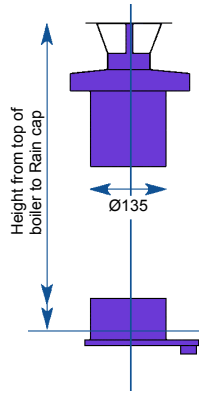
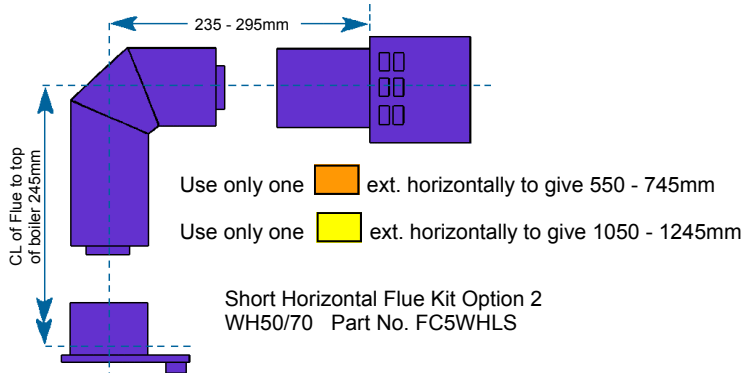
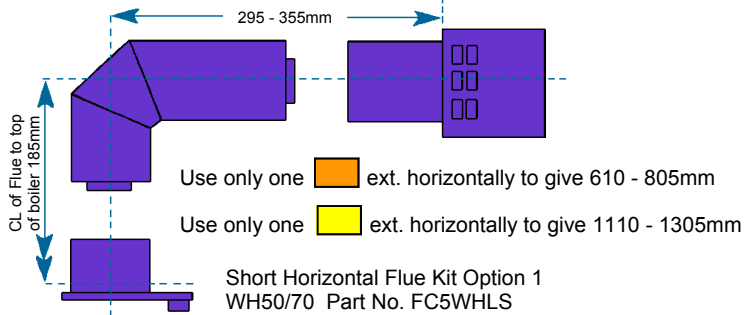
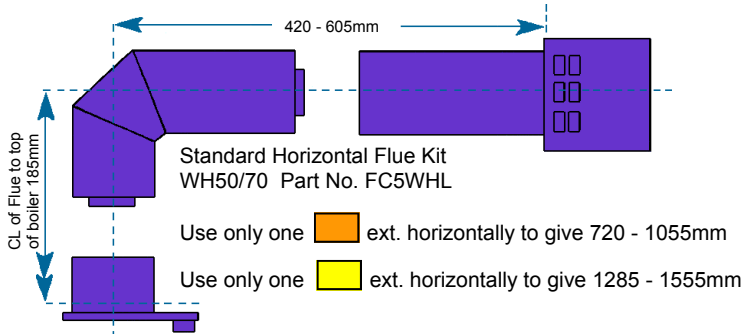
Extension 2 - 1000mm



45° Bend
 Each 45° bend reduces flue length by 500mm.
 Two bends are required to form an offset.

Notes: Lengths are all in millimetres.
 Do not cut flues or extensions

Camray 5 wall hung 50/70 Internal Flue Kit extensions



Vertical Flue Kit
WH50/70 Part No. FC5WVL
1 x 1000mm extension included

For Vertical Flue Kit

Height from top of boiler to Rain cap.

Use only one ext. vertically to give 1250 - 1275mm
or use one ext. and one Ext. vertically to give 1550 - 1725mm
or use two ext. vertically to give 2050 - 2225mm
or use one ext. and two Ext. vertically to give 2350 - 2675mm
or use three ext. vertically to give 2850 - 3175mm



500mm Extension Part No. FL47130C

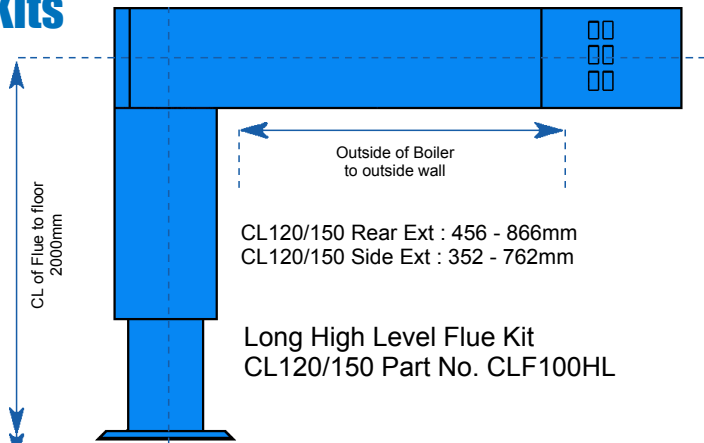
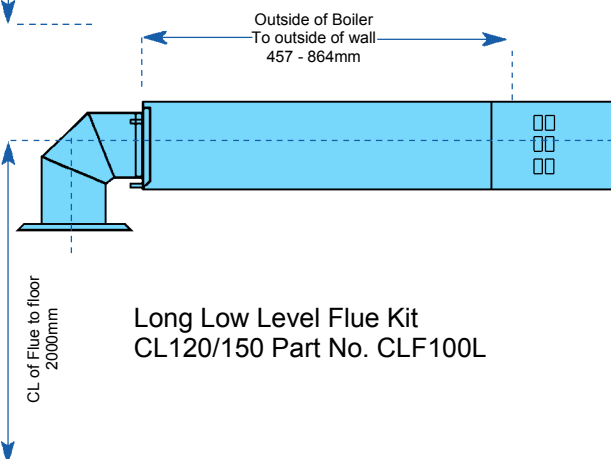
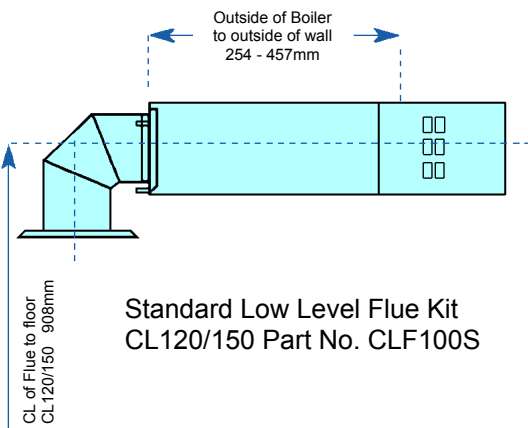


1000mm Extension Part No. FL47135C

For High Level Horizontal Flue Kits

Use only one ext. vertically to give 585 - 635mm
Use only one ext. vertically to give 1085 - 1135mm
Use two ext. vertically to give 885 - 1085mm

Classic 100mm Telescopic Flue Kits



600mm Vertical Extension Kit
CL120/150 Pat No. FL51234C Maximum Extension

