



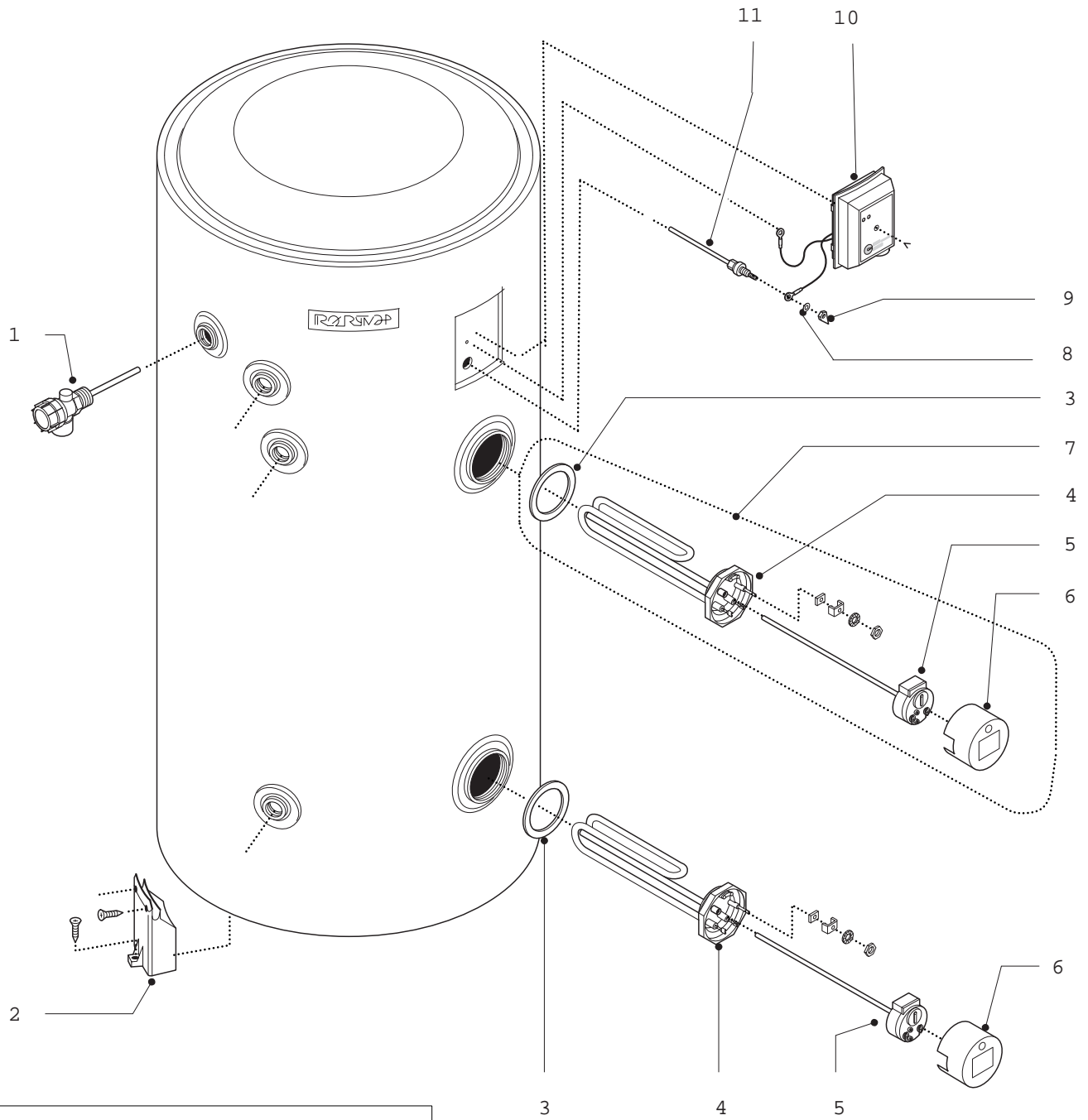
SPARE PARTS LIST
UNVENTED WATER HEATER

Models

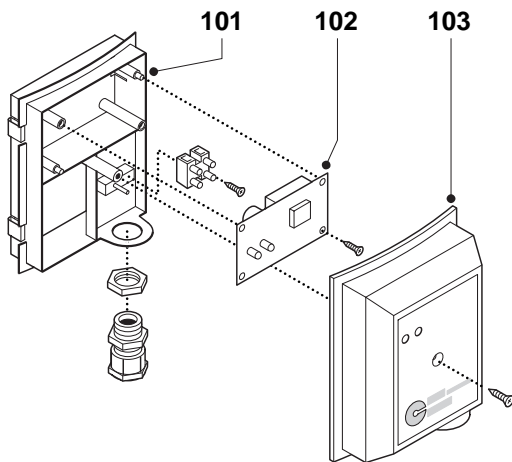
CONTRACT STD 125 PROTECH
CONTRACT STD 150 PROTECH
CONTRACT STD 210 PROTECH

Edition 1 of 9 November 2000





Code 925345



MODELS	CODE	SERIAL NO. VALIDITY	REF.
CONTRACT STD 125 PROTECH	893004	00000000893004	A
CONTRACT STD 150 PROTECH	893005	00000000893005	B
CONTRACT STD 210 PROTECH	893006	00000000893006	C

ER2000190533401001

PART.	CODE	DESCRIPTION	REF.	NOTE
1	969046	Temperature + pressure relief valve (1/2")		
2	926136	Foot (100mm)		
3	924087	Gasket (heating element)		
4	816557	Heating element (3kW 240V)		
5	691218	Thermostat (TBS 300)		
6	935182	Element cap		
7	935347	Element kit (2 1/4")		
8	918046	Washer (M4)		
9	918117	Nut (M4-ZN)		
10	925345	Printed circuit board (complete with covers)		
11	340407	Electrode (titanium)		
101	925344	Back cover (P.C.B.)		
102	925294	Printed circuit board		
103	926338	Cover (P.C.B.)		
201	918096	Fixing screw (3.5x16)		11

NOTE	DESCRIPTION
11	Not illustrated