



SPARE PARTS EXPLODED VIEW
UNVENTED CYLINDERS

Models

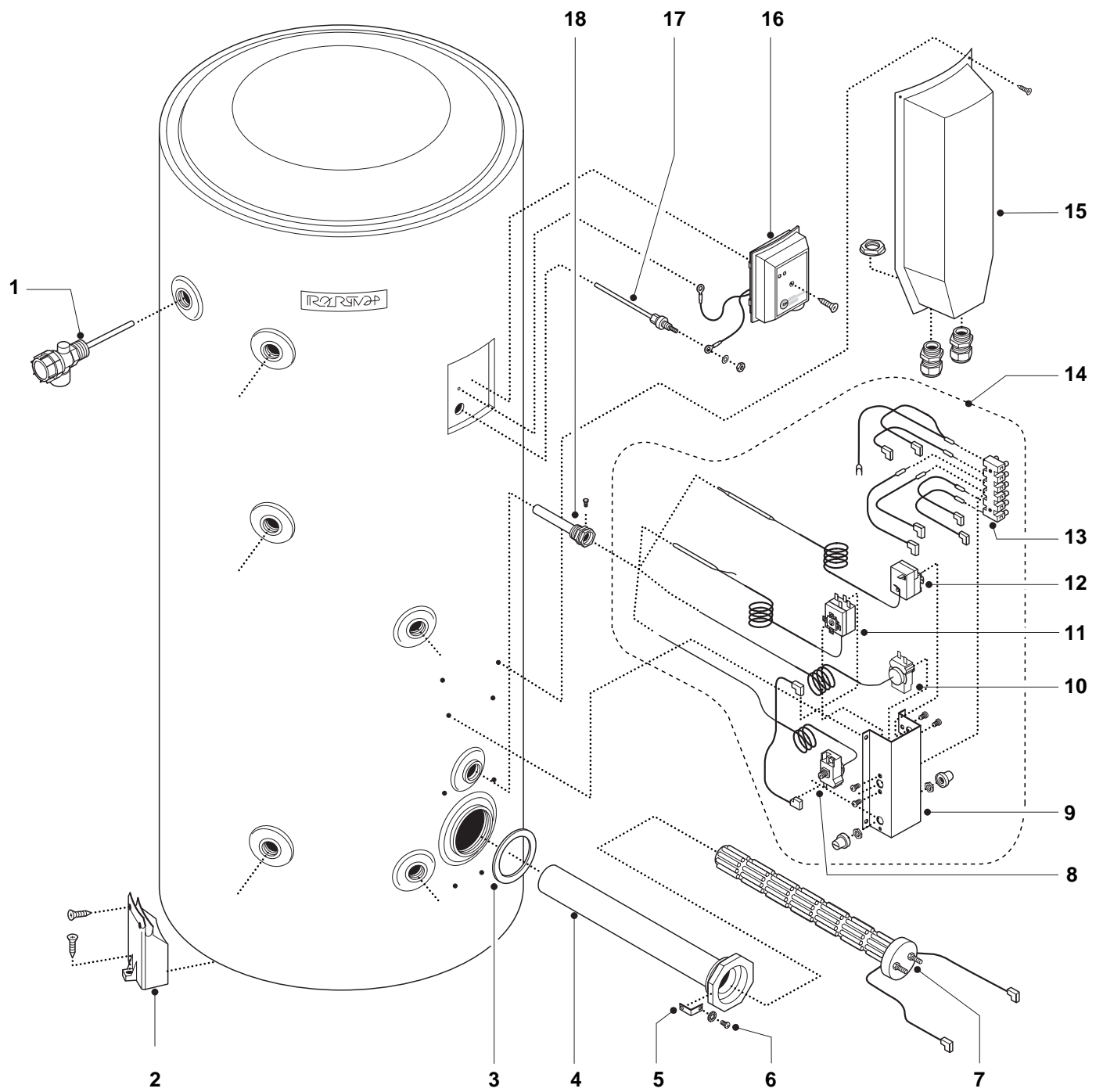
COMFORT STI 125 PROTECH
COMFORT STI 150 PROTECH
COMFORT STI 210 PROTECH

Edition 1

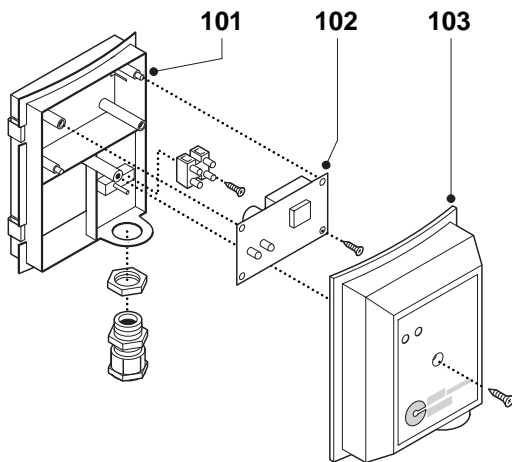
Current from Serial No:-

STI 125	000000000890215 to -----
STI 150	000000000890216 to -----
STI 210	000000000890217 to -----





Code 925345



MODELS	CODE	SERIAL NO. VALIDITY	REF.
COMFORT STI 125 PROTECH	890215	00000000890215	A
COMFORT STI 150 PROTECH	890216	00000000890216	B
COMFORT STI 200 PROTECH	890217	00000000890217	C

ER2000190533201001

PART.	CODE	DESCRIPTION	REF.	NOTE
1	969046	Temperature + pressure relief valve (1/2")		
2	926136	Foot (100mm)		
3	924087	Gasket (heating element)		
4	396146	Element pocket (2 1/4")		
5	323404	Fixing plate (heating element)		
6	318613	Screw (M5x30)		
7	396147	Heating element (steatite - 3000W 240V)		
8	921049	Thermostat (thermal cut-out)		
9	935190	Support (thermostat)		
10	921050	Thermostat (thermal cut-out - direct)		
11	921048	Thermostat (regulation)		
12	921047	Thermostat (regulation - direct)		
13	935189	Cable + terminal block kit		
14	925275	Thermostat + wiring assembly complete		
15	926276	Cover		
16	925345	Printed circuit board (complete wth covers)		
17	340407	Electrode (titanium)		
18	902188	Thermostat pocket		
101	925344	Back cover (P.C.B.)		
102	925294	Printed circuit board		
103	926338	Cover (P.C.B.)		
201	918046	Washer (M4)		11
301	918117	Nut (M4-ZN)		11
401	918096	Fixing screw (3.5x16)		11

NOTE	DESCRIPTION
11	Not illustrated

PART.	NOTIFICATION OF CHANGES	
	Spares listed below are not interchangeable with those for the Comfort Cylinders	
1	969046 - Temp. & Press. relief valve (7 bar - 1/2")	- replaces 998584 from serial number: 980000000890502
16	925345 - Printed circuit board (c/w covers)	- not listed on original drawing
17	340407 - Electrode (titanium)	- not listed on original drawing
101	925344 - Back cover (P.C.B.)	- not listed on original drawing
102	925294 - Printed circuit board	- not listed on original drawing
103	926338 - Cover (P.C.B.)	- not listed on original drawing