



SPARE PARTS EXPLODED VIEW  
UNVENTED CYLINDERS

Model

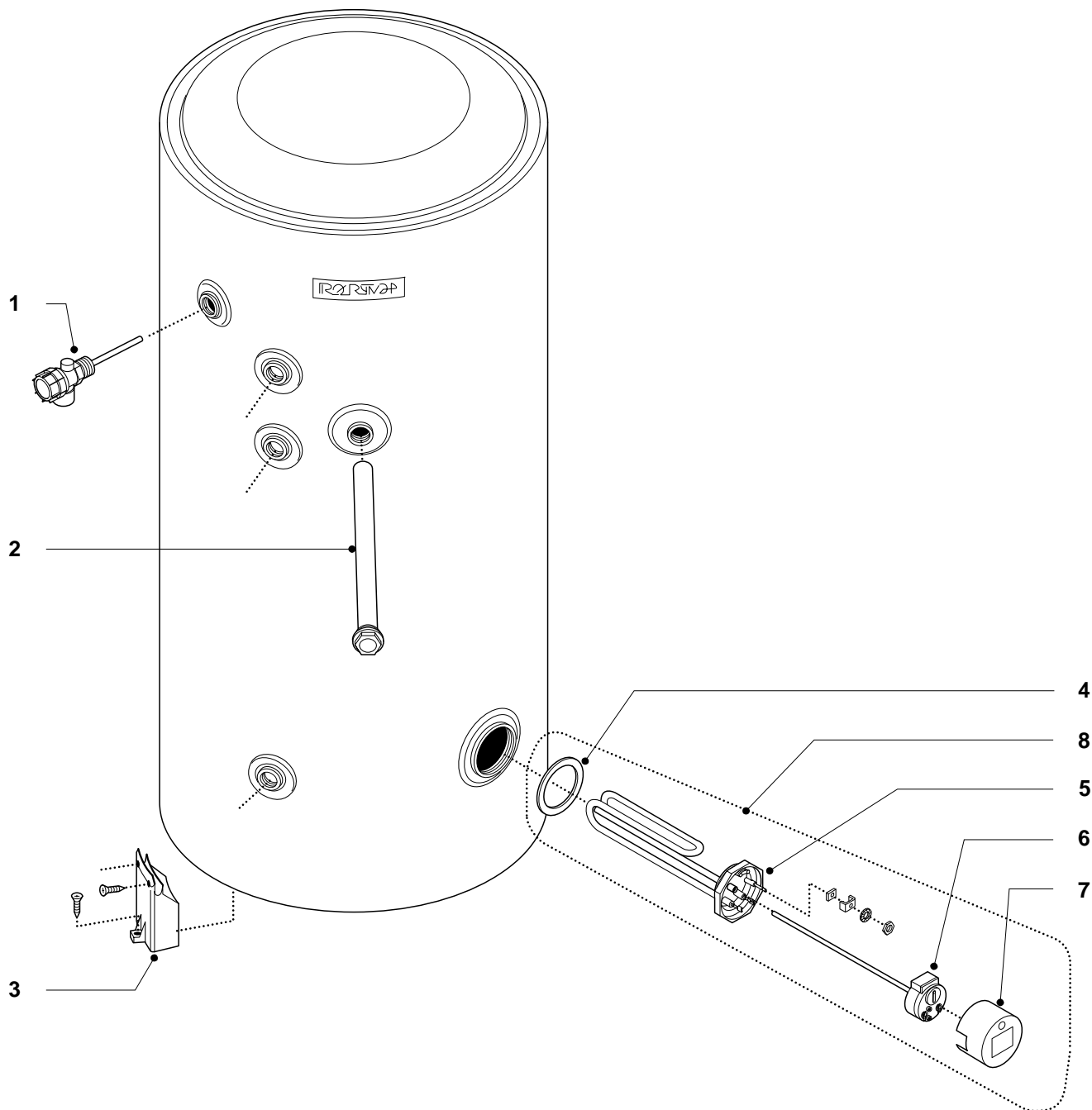
**CONTRACT STD 100**

---

Edition 1

Current from Serial No:- 970000000890495 to  
000000000893003





MODEL	CODE	FROM SERIAL NO.	REF.
CONTRACT STD 100	890495	970000000890495	A

<b>PART</b>	<b>CODE</b>	<b>DESCRIPTION</b>	<b>REF.</b>	<b>NOTE</b>
1	969040	Temperature + pressure relief valve 7 bar		
2	919054	Anode D.26 x 370 + 1" male		
3	926136	Feet 100 mm		
4	924087	Element gasket 2"1/4		
5	816544	Element RE UK 143 3 kW 240 V		
6	691218	Thermostat TBS 300		
7	935182	Element cap PVC for thermostat TBS 300		
8	935191	Element kit 2"1/4		11

<b>NOTE</b>	<b>DESCRIPTION</b>
11	Kit includes: element + thermostat + gasket