



SPARE PARTS EXPLODED VIEW
WALL-HUNG GAS BOILERS

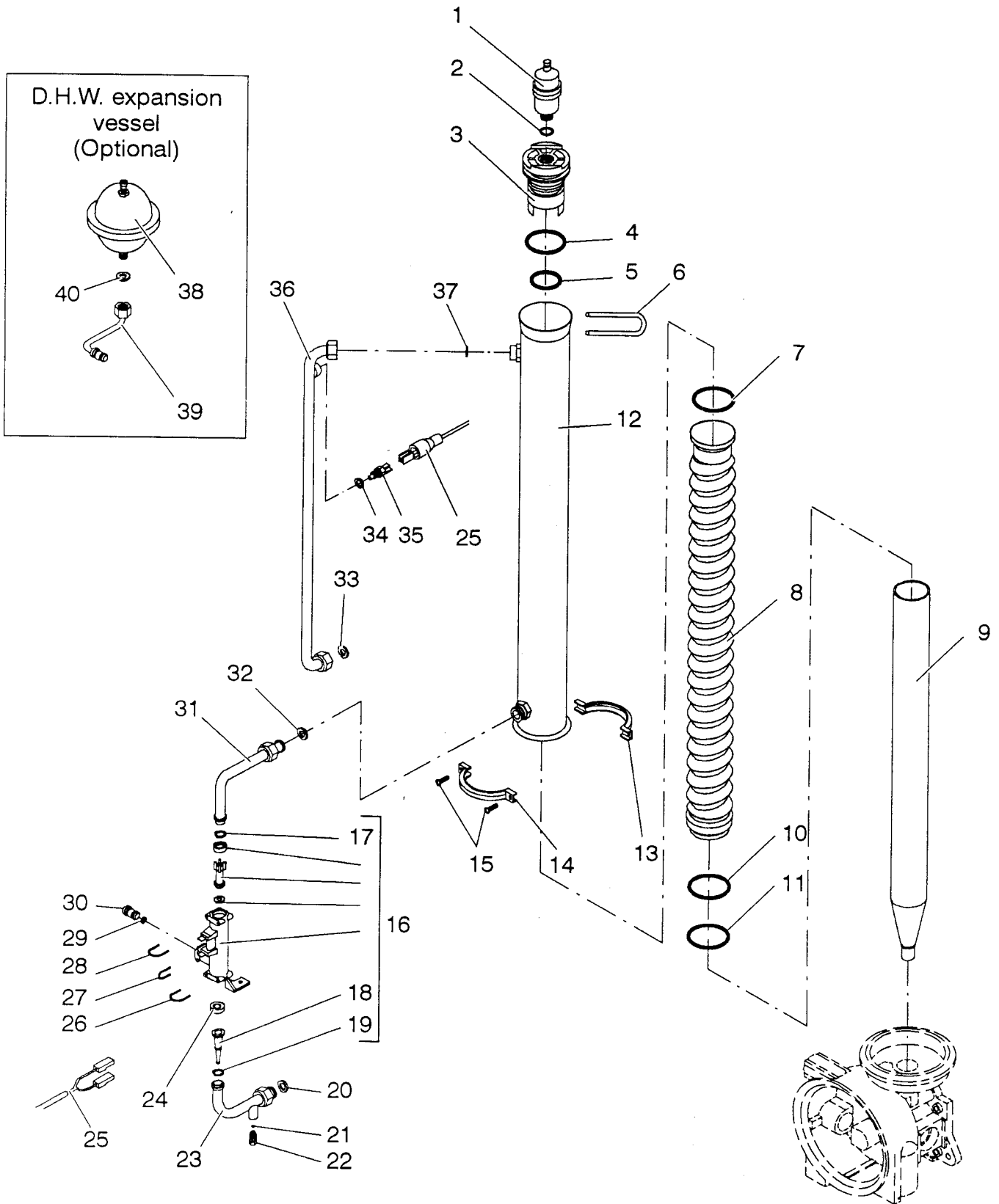
Model

20/1 MFS

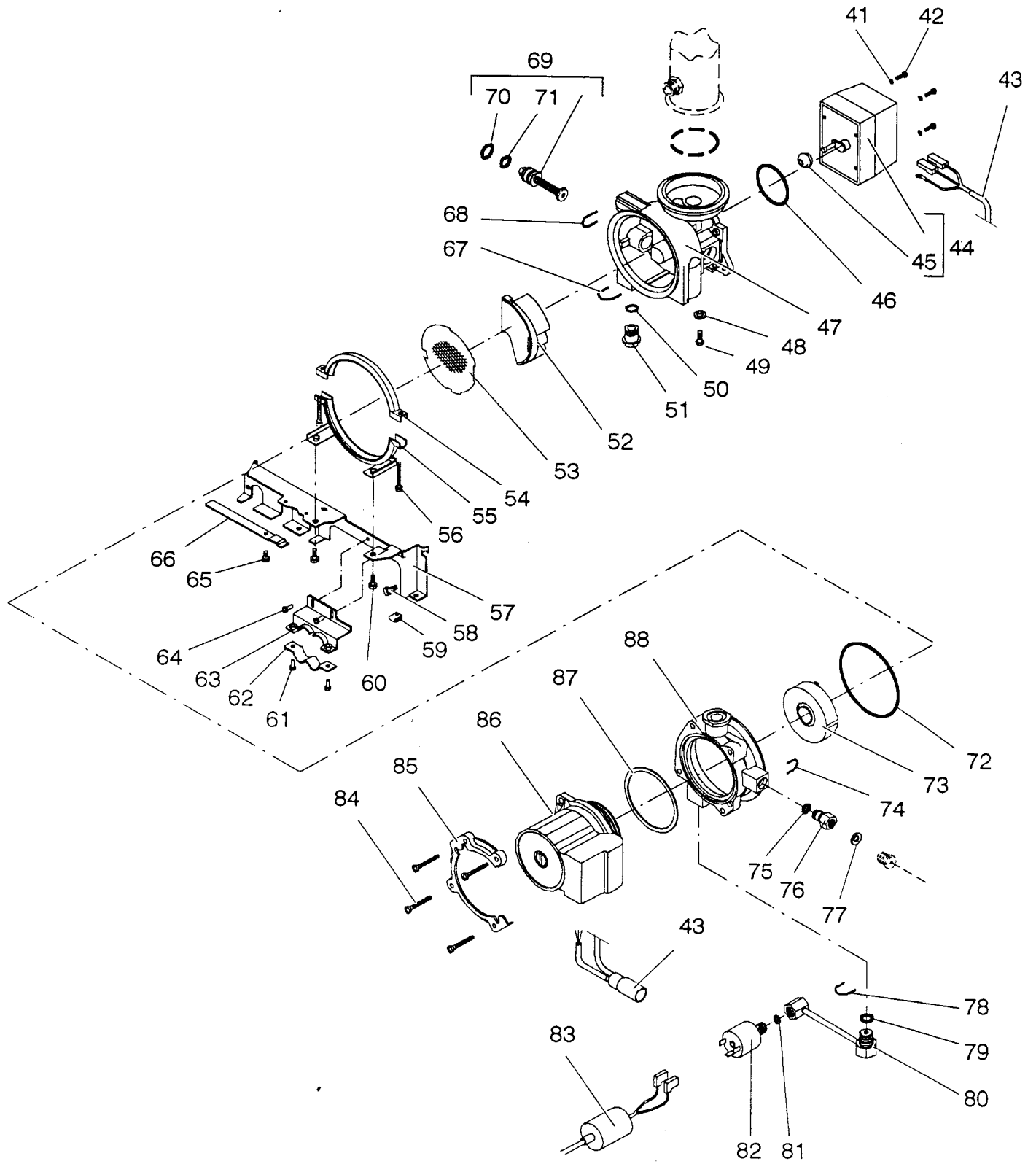


MODELS	CODE	SERIAL NO. VALIDITY	REF.
20/1 MFS	407001	From N00000693 to -----	A

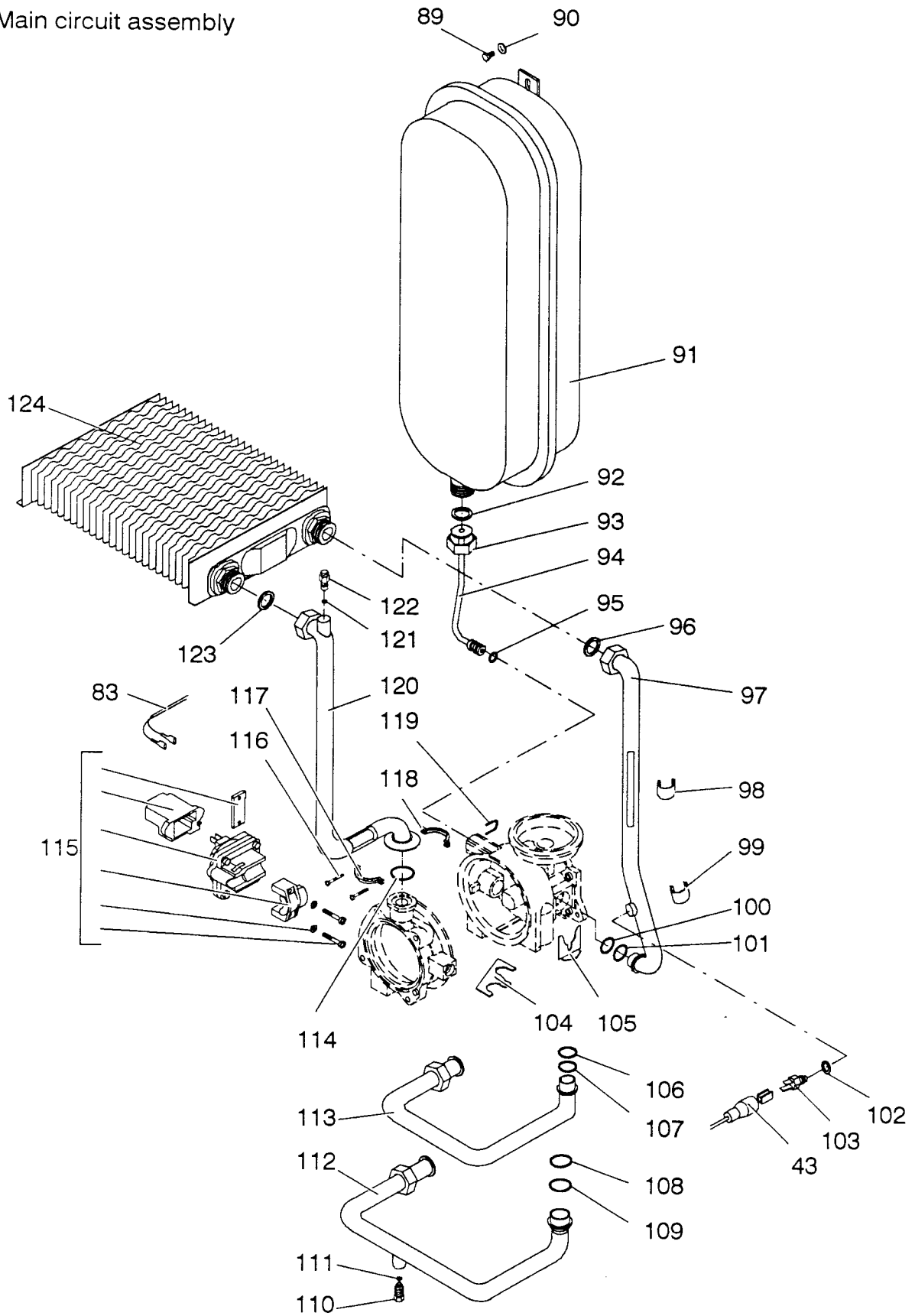
Domestic hot water group



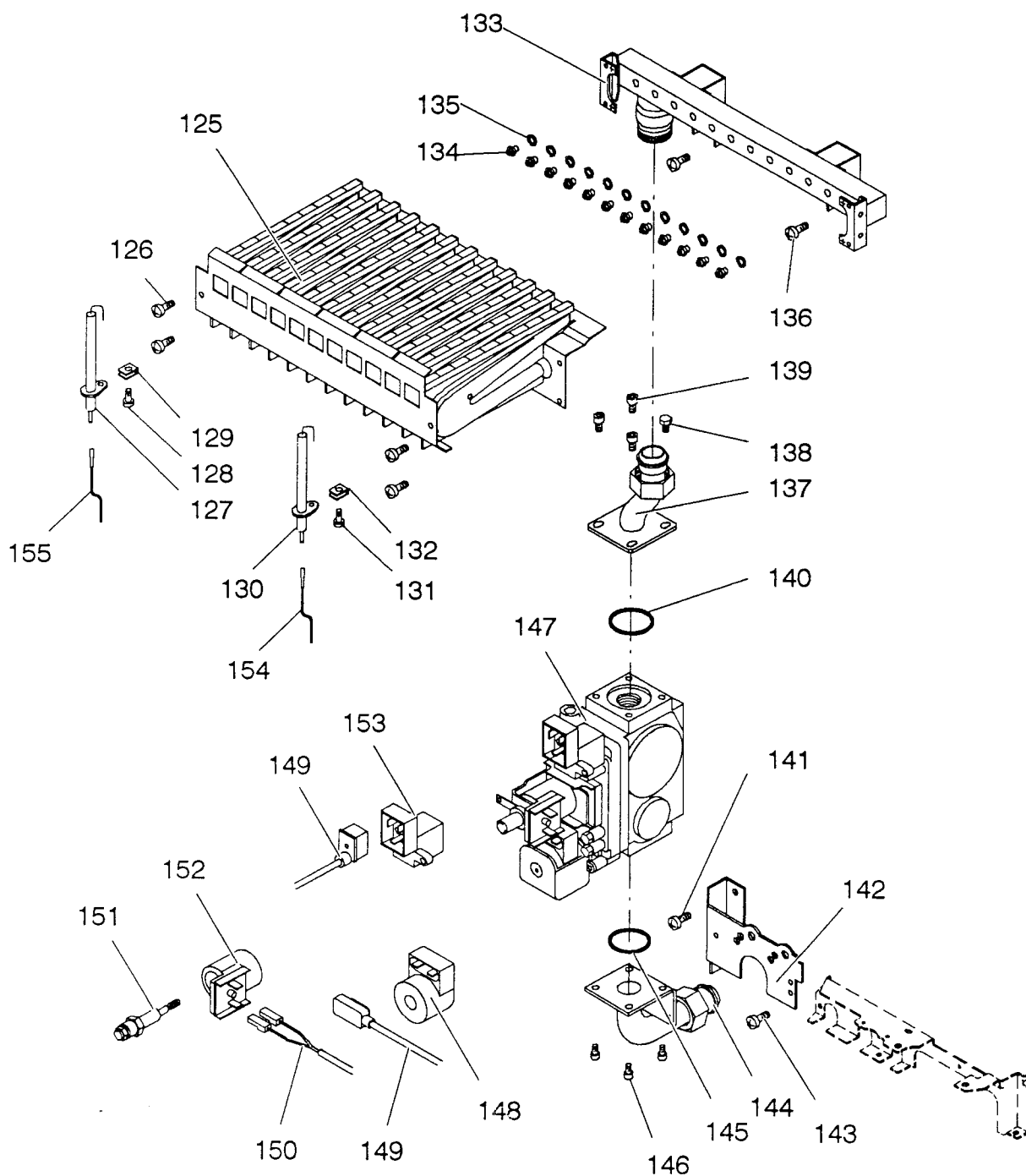
Pump group and deviation body



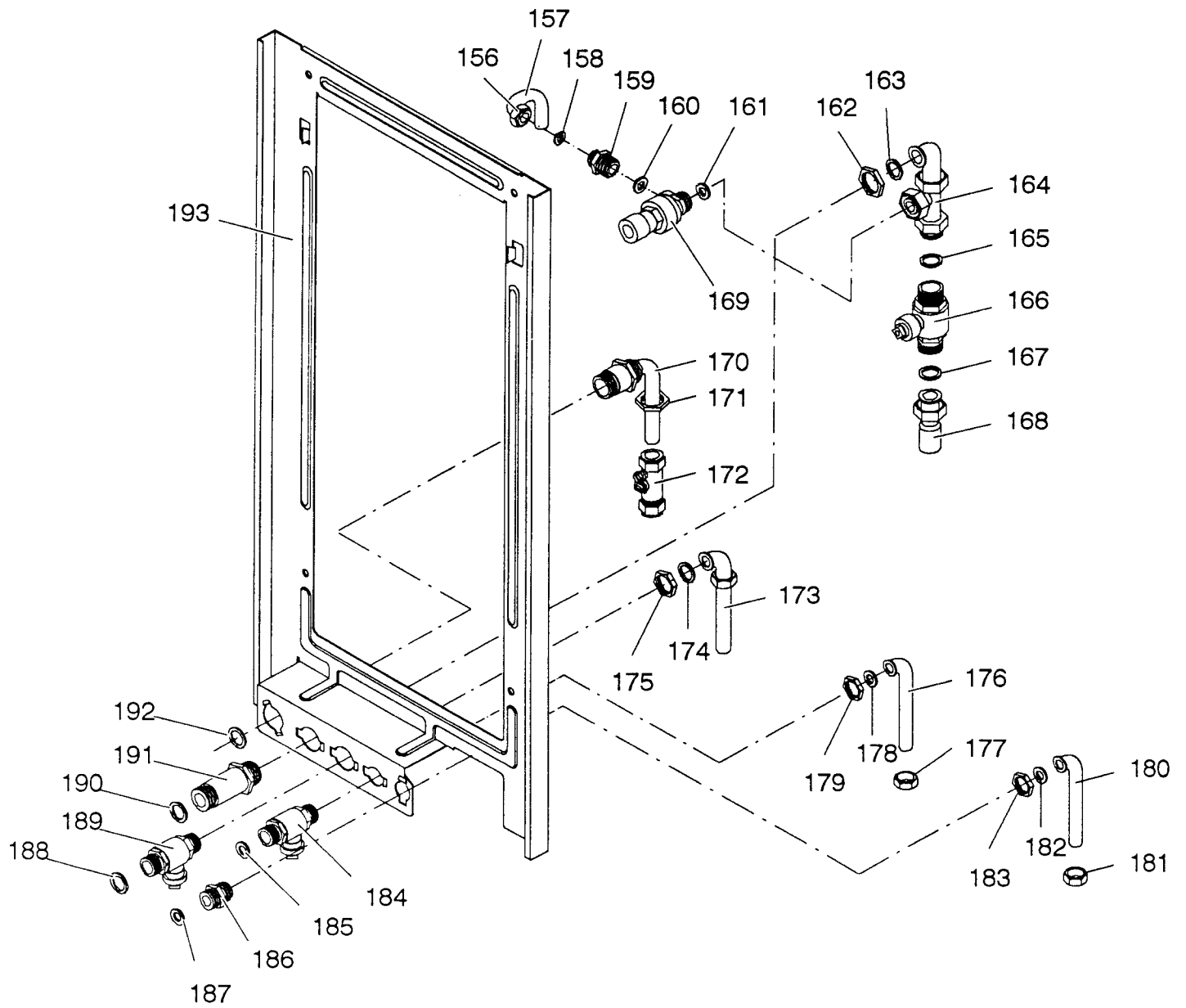
Main circuit assembly



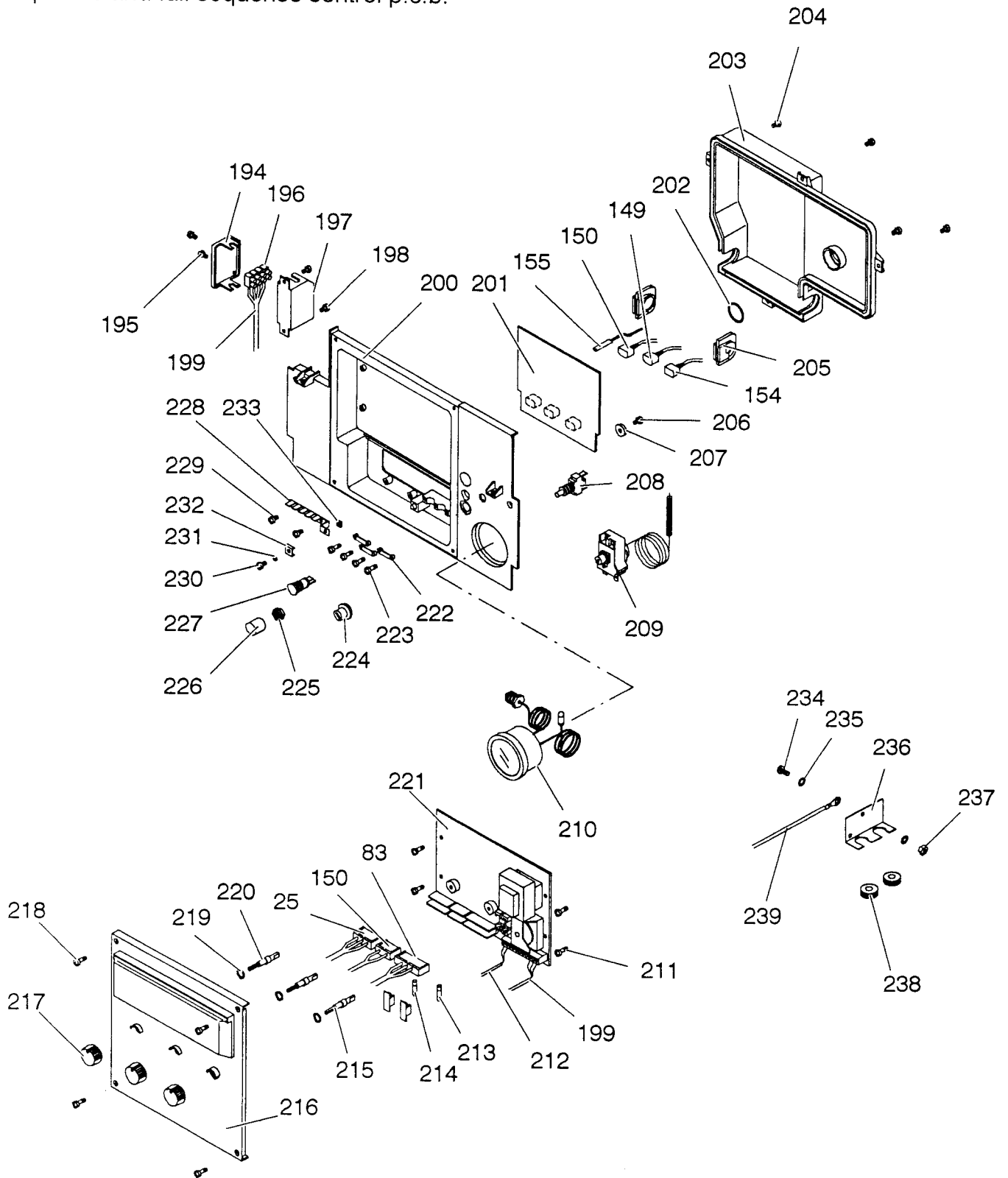
Gas assembly



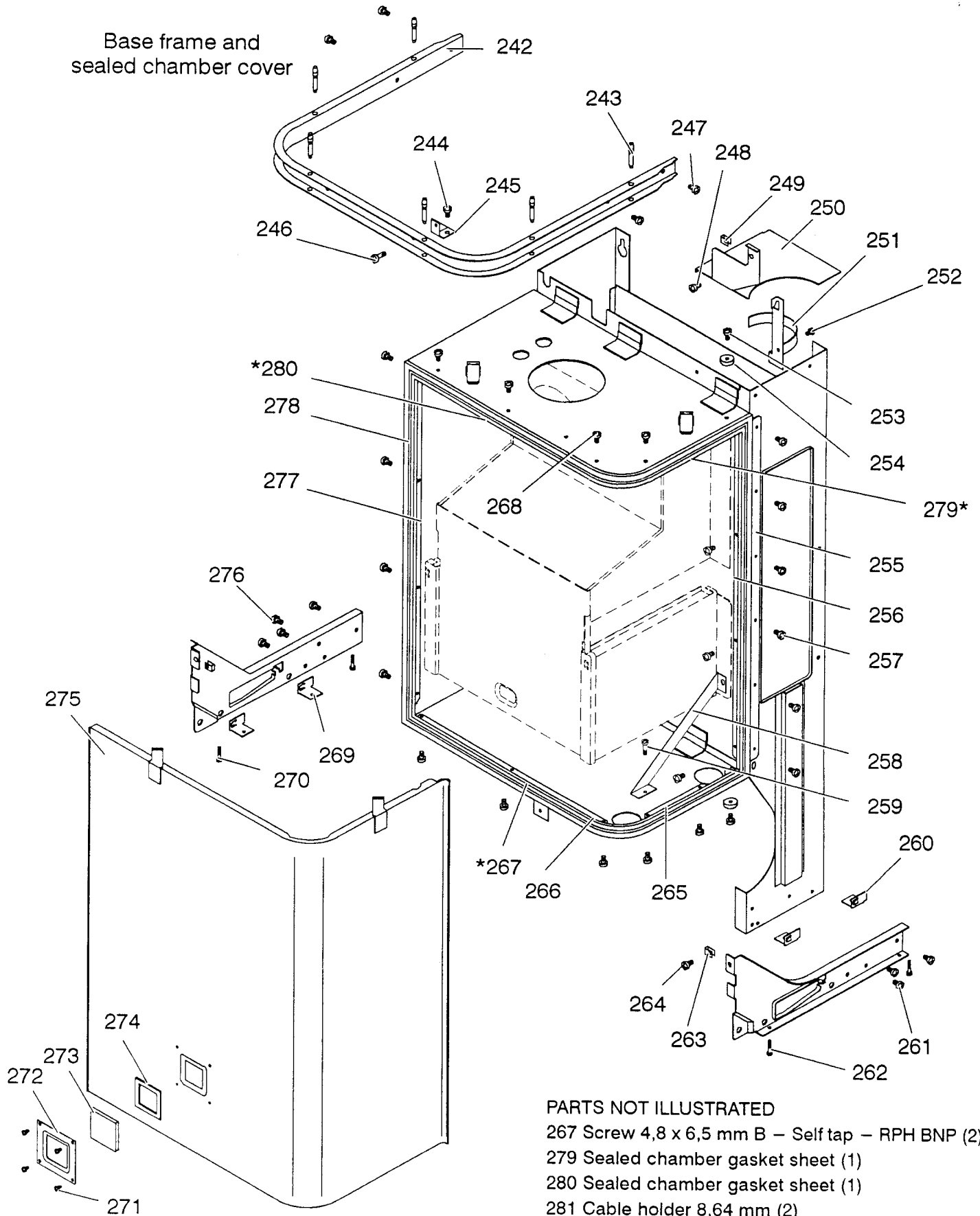
Mounting bracket



Control panels and full sequence control p.c.b.



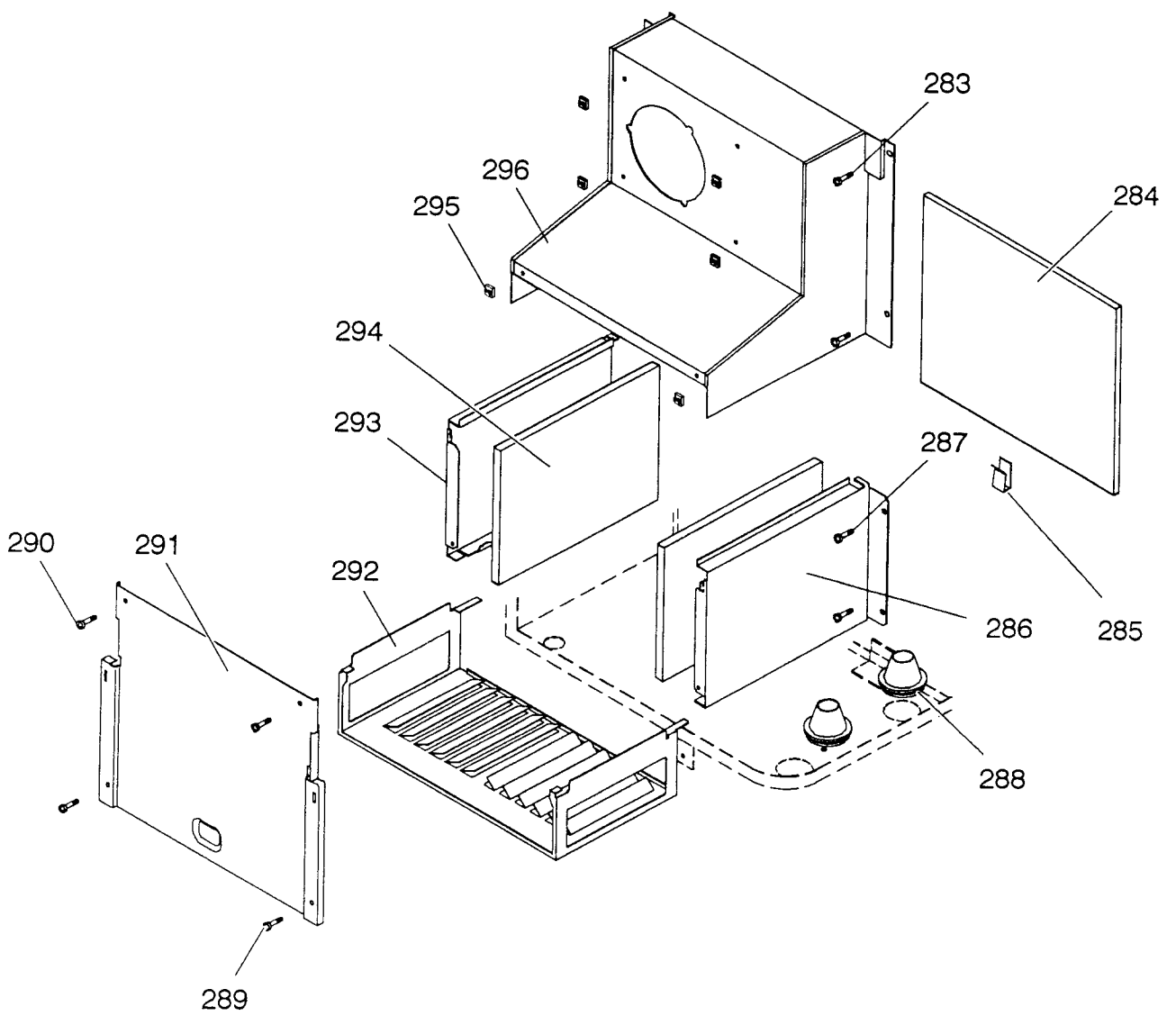
PARTS NOT ILLUSTRATED
240 Cable tie Ø 10 mm (1)
241 Cable tie Ø 14 mm (3)



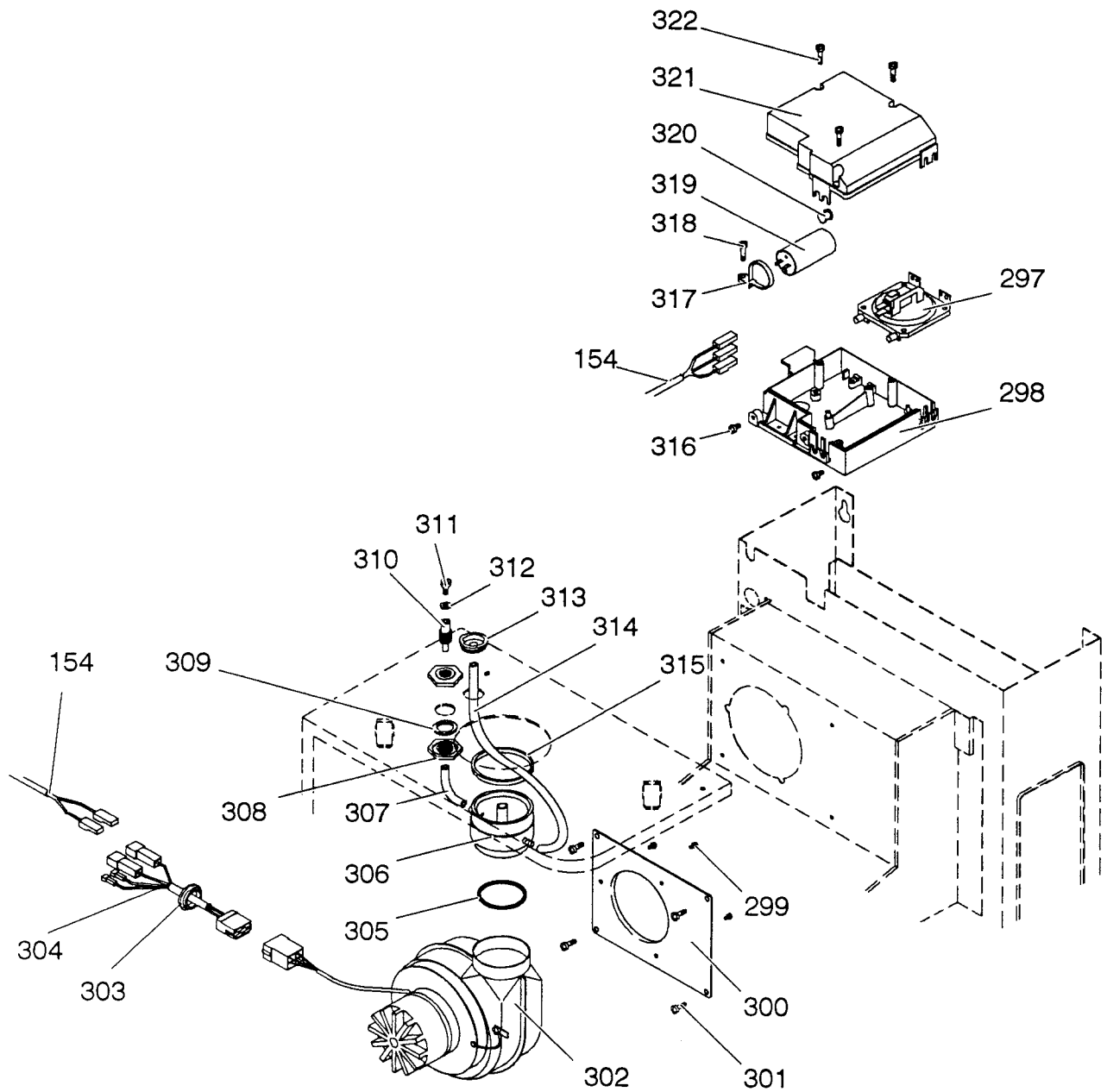
PARTS NOT ILLUSTRATED

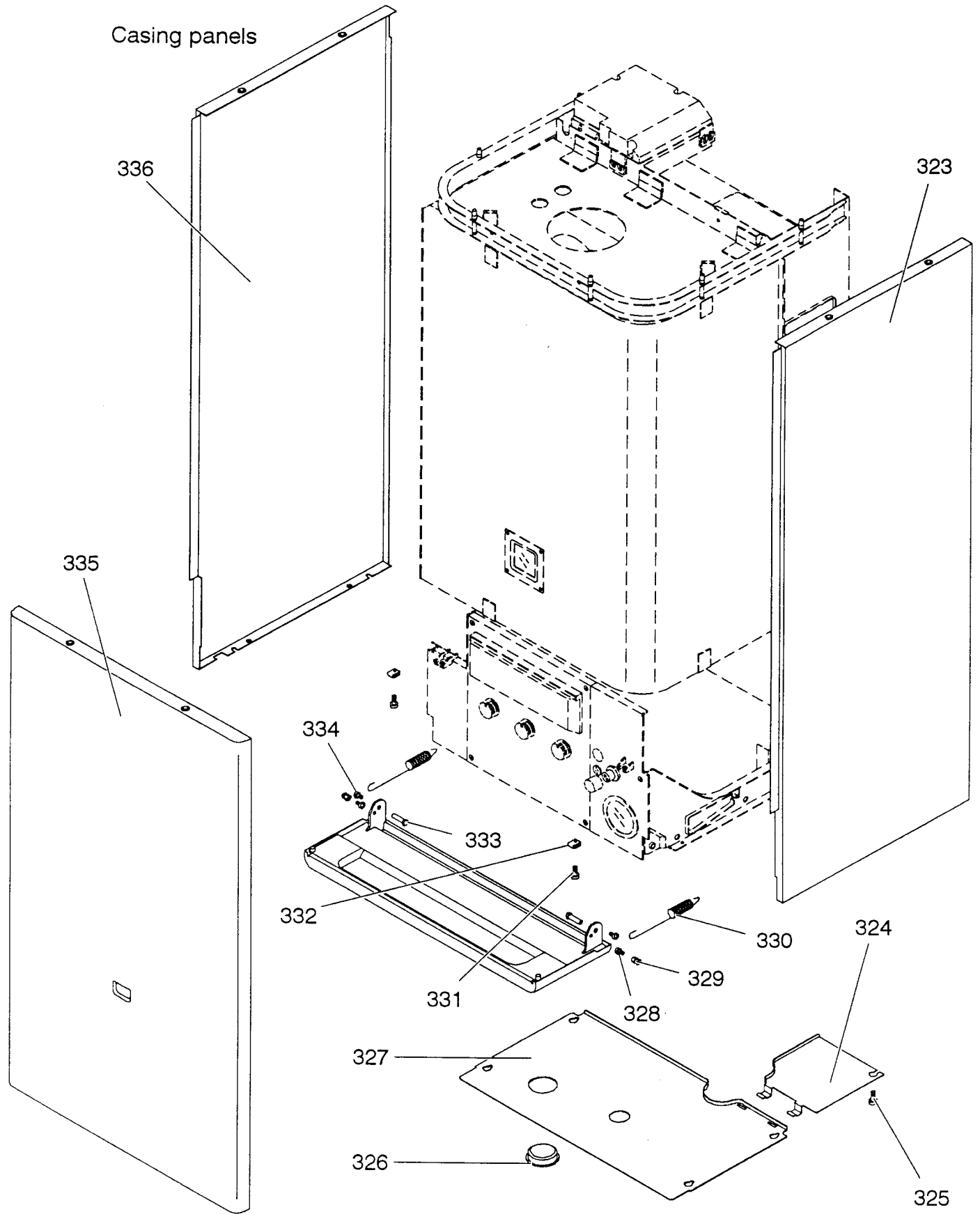
- 267 Screw 4,8 x 6,5 mm B – Self tap – RPH BNP (2)
- 279 Sealed chamber gasket sheet (1)
- 280 Sealed chamber gasket sheet (1)
- 281 Cable holder 8,64 mm (2)
- 282 Cable holder 17,65 mm (2)

Combustion chamber



Fan assembly





PART	CODE	DESCRIPTION	REF.	NOTE
1	407530	Auto air release valve (inc. 2)		
2	407501	O ring 17.12 x 2.62 mm		
3	407534	D.H.W. exchanger plug (inc. 2,4,5,7)		
4	407502	O ring 56.52 x 5.34 mm		
5	407503	O ring 40.65 x 5.34 mm		
6	407533	Fork kit (inc. 26,27,28)		
7	407506	O ring 53.34 x 5.34 mm		
8	407507	Bellows		
9	407505	Conveyor		
10	407502	O ring 56.52 x 5.34 mm		
11	407506	O ring 53.34 x 5.34 mm		
12	407504	Shell		
13	407532	Collar kit (inc. 14)		
16	407531	D.H.W. switch kit		
17	407515	O ring 13.95 x 2.62 mm		
18	407518	Filter		
19	407515	O ring 13.95 x 2.62 mm		
20	407512	Gasket 1/2"		
21	407633	O ring 2.90 x 1.78 mm		
23	407535	D.H.W. pipe kit (inc. 31)		
24	407523	Flow limiter 12 l		
25	407634	Cable		
26	407533	See key 6		
27	407533	See key 6		
28	407533	See key 6		
29	407514	O ring 9.25 x 1.78 mm		
31	407535	See key 23		
32	407512	Gasket 1/2"		
33	407512	Gasket 1/2"		
34	407521	Gasket (N.T.C. probe)		
35	407522	N.T.C. probe (inc. 34)		
36	407520	D.H.W. outlet pipe		
37	407512	Gasket 1/2"		
38	407527	D.H.W. expansion vessel		
40	407528	Gasket 1/4"		
43	407633	Cable		
44	407549	3 way valve		
46	407545	O ring		
47	407550	Deviator (inc. 46,50,70,71,72,95,100,106,108,114)		
50	407546	O ring 10.78 x 2.62 mm		
52	407541	Distributor		
53	407542	Main circuit filter		
54	407622	Collar kit (inc. 55)		
67	407548	Fork kit (inc. 68,74,78)		
68	407548	See key 67		
69	407547	By-pass kit (inc. 70,71)		
70	407540	O ring 17.17 x 1.78 mm		
71	407515	O ring 13.95 x 2.62 mm		
72	407543	O ring 91.97 x 3.53 mm		
74	407548	See key 67		
75	407514	O ring 9.25 x 1.78 mm		
77	407619	Gasket 1/4"		
78	407548	See key 67		
79	407546	O ring 10.78 x 2.62 mm		
80	407618	Pump pressure switch pipe		
81	407619	Gasket 1/4"		
82	570605	Pump pressure switch		
83	407635	Cable (pump pressure switch to P.C.B.)		
86	407625	Pump (inc. 85,87)		
87	407620	Pump gasket		
88	407623	Cochlea kit (inc11,72,73,75,87,79,95,100,106,108)		
91	407649	Expansion vessel 8 l		
92	407651	Gasket 3/4"		

PART	CODE	DESCRIPTION	REF.	NOTE
94	407654	Pipe (expansion vessel to deviator)		
95	407514	O ring 9.25 x 1.78 mm		
96	407651	Gasket 3/4"		
97	407668	Pipe (main exchanger to deviator)		
100	407659	O ring 17.04 x 3.53 mm		
101	407672	Ring kit (inc. 107,109)		
102	407521	Gasket (N.T.C. probe)		
103	407522	N.T.C. probe		
104	407671	Tang kit (inc. 105)		
106	407659	O ring 17.04 x 3.53 mm		
107	407672	See key 101		
108	407658	O ring 20.22 x 3.53 mm		
109	407672	See key 107		
110	407667	Manual vent cock (inc. 111)		
111	407663	O ring 2.90 x 1.78 mm		
112	407709	Pipe (inlet main circuit)		
113	407656	Pipe (outlet main circuit)		
114	407665	O ring 18.64 x 3.53 mm		
115	407660	Main circuit flow switch		
117	407626	Collar kit (inc. 118)		
119	407533	See key 6		
120	407652	Pipe (main exchanger to cochlea)		
121	407663	O ring 2.90 x 1.78 mm		
122	407664	Drainage cock (inc. 121)		
123	407651	Gasket 3/4"		
124	407650	Main heat exchanger		
125	407553	Burner (inc. 133)		
127	407629	Electrode		
130	407629	Electrode		
134	407574	Jet kit nat gas x 14		
140	407560	O ring 26.58 x 3.53 mm		
145	407560	O ring 26.58 x 3.53 mm		
147	407631	Gas valve SIT nova 827		
149	407694	Cable (gas val. Coils to ign. P.C.B.)		
150	407693	Cable (gas val. ,ign p c b to reg P.C.B.)		
151	407627	Gas valve mod reg		
154	407680	Cable (det. ele. ,fan, air press. switch to reg P.C.B.)		
155	407642	Cable (ignition electrode to regulation P.C.B.)		
158	407512	Gasket 1/2"		
160	407512	Gasket 1/2"		
161	407512	Gasket 1/2"		
163	407651	Gasket 3/4"		
165	407651	Gasket 3/4"		
166	407651	Gasket 3/4"		
169	407703	Safety valve (inc. 160,161)		
174	407651	Gasket 3/4"		
178	407512	Gasket 1/2"		
182	407512	Gasket 1/2"		
185	407512	Gasket 1/2"		
187	407512	Gasket 1/2"		
188	407651	Gasket 3/4"		
190	407651	Gasket 3/4"		
192	407651	Gasket 3/4"		
200	407704	Control panel (inc. 202,203,204,205,215,216,217, 218,219,220,222,223,228,229,230,231,232,233)		
201	407679	P.C.B. (full sequence control)		
208	407685	Reset push button (inc. 225)		
209	407702	Overheat thermostat		
210	407591	Thermomanometer		
212	407696	Mains supply cable		
213	407584	Fuse (0.08 amp)		
214	407585	Fuse (1.60 amp)		
221	407580	P.C.B. (regulation)		

PART	CODE	DESCRIPTION	REF.	NOTE
227	407684	Shut down warning light		
275	407700	Sealed chamber cover (inc. 271,272,273,274)		
297	407902	Air pressure switch		
298	407903	Air pressure switch box		
302	407699	Fan		
306	407901	Venturi (inc. 305,315)		
309	407653	Gasket 3/4"		
312	407528	Gasket 1/4"		
314	407904	Tube (venturi to air pressure switch)		
319	407900	Fan capacitor (before 0194)		
323	407705	Panel (R.H. side)		
324	407707	Plate		
327	407708	Plate		
335	407595	Panel (front case)		
336	407706	Panel (L.H. side)		
NONE	407529	Secondary heat exchanger complete		
NONE	407593	Case door		