



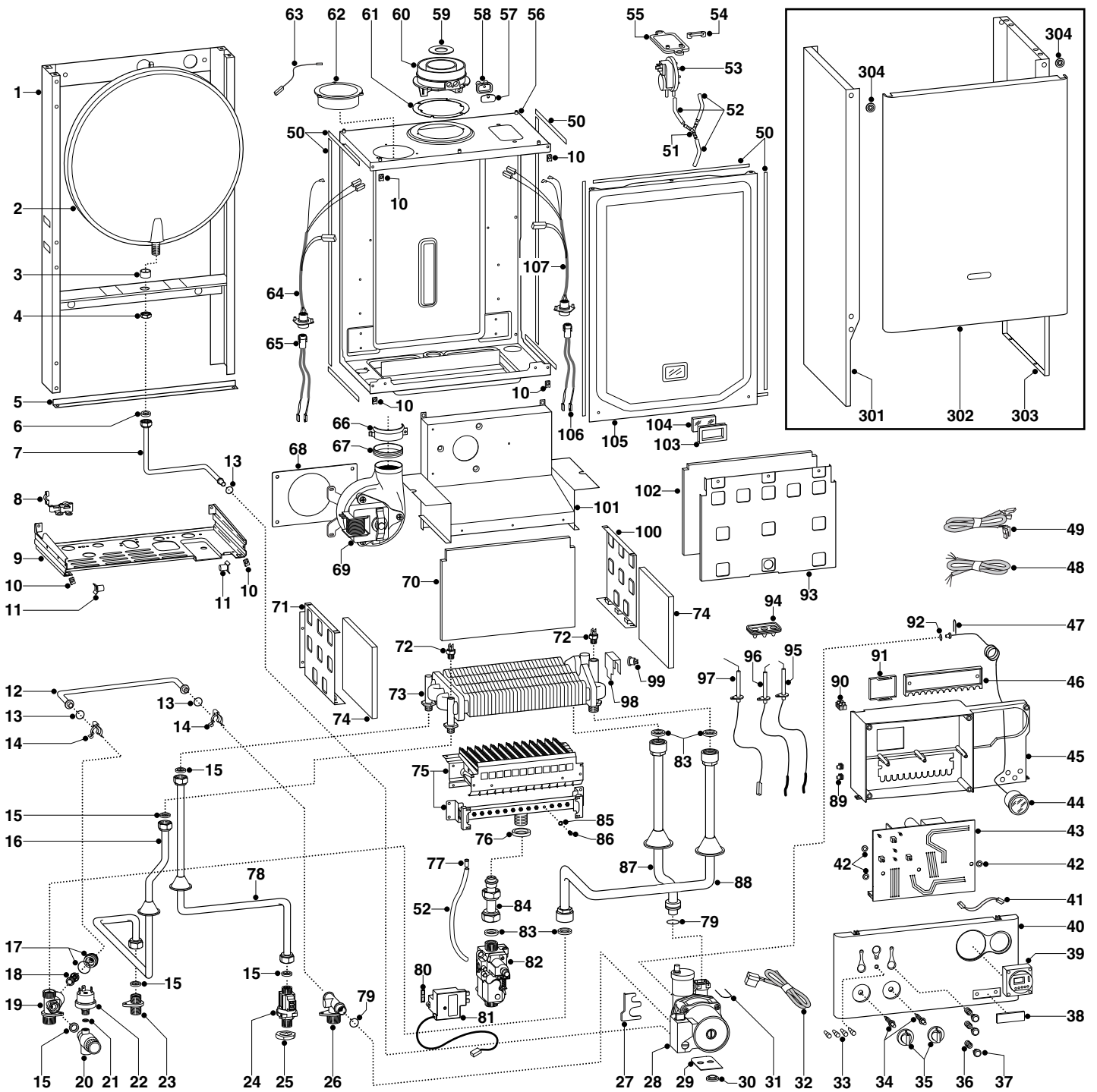
SPARE PARTS EXPLODED VIEW
GAS WALL BOILERS
Model

microCombi 27 MFFI

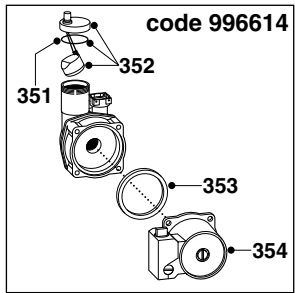
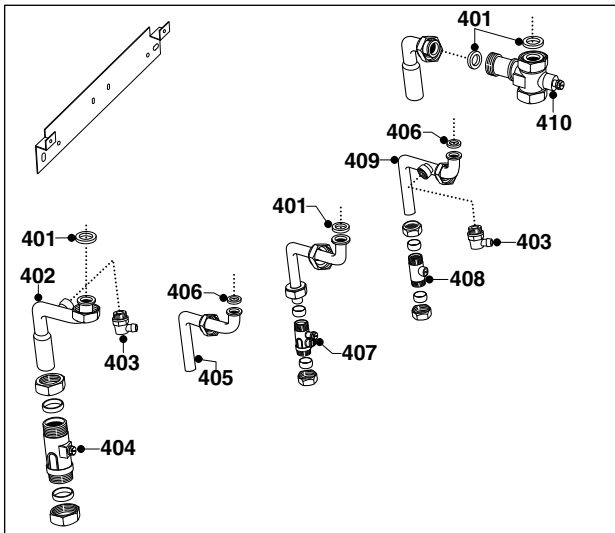
Edition 1 Revision 1

Current from Ser No. 232309500001 to Ser No. -----





ER2003210036301011



MODEL	CODE	SERIAL NO. VALIDITY	REF.
MICROCOMBI 28 MFFI - NG	537254	2320309500001	A
MICROCOMBI 28 MFFI - LPG	537646	2320309500001	B

PART.	CODE	DESCRIPTION	REF.	NOTE
1	-----	Frame		11
2	998616	Expansion vessel		
3	998776	Bush (expansion vessel)		
4	998581	3/8" lock nut		
5	65100295	Frame support		
6	573521	Gasket 3/8" (25 pcs)		
7	999525	Pipe (expansion vessel)		
8	998580	Cable holder		11
9	-----	Hydraulic group support		
10	570717	Spring (fastening) (5 pcs)		
11	995492	Pivot		
12	998589	By-pass pipe		
13	998077	O-ring gasket (20 pcs)		
14	998064	Spring (by-pass pipe) (10 pcs)		
15	573528	Gasket 1/2" (25 pcs)		
16	999104	Pipe (D.H.W. outlet)		
17	996045	Union by-pass + O-ring		
18	996046	By-pass		
19	996049	Flow group (twin pass)		
20	998447	Safety valve (1/4" 3 Bar)		
21	569390	Gasket 1/4" (25 pcs)		
22	995903	Low water pressure switch		
23	998611	Union (hot water outlet)		
24	65100296	Flow gauge (bitron - 1/2" M-M)		
25	573530	Lock nut 1/2" (5 pcs)		
26	996047	Return group		
27	999162	Pump bracket		
28	996614	Kit for rear pump attachment		21
29	995364	Spacer plate (pump) (20 pcs)		
30	999100	Lock washer (20 pcs)		
31	997153	U-clip (20 pcs)		
32	999968	Cable (P.C.B. - pump)		
33	998577	Led (L=14.2)		
34	999592	Spindle (knob)		
35	999596	Control knob		
36	999595	Spring (push button)		
37	999976	Push button		
38	-----	Name badget		11
39	999599	Clock		
40	995461	Control panel		
41	65100297	Interconnecting cable		
42	569711	Nylon bush (10mm - 20 pcs)		
43	65100248	Printed circuit board (BT2M-HS)		
44	999245	Pressure gauge		
45	-----	Control panel		11
46	998953	Cable holder cover		
47	571548	U-Clip		
48	995979	Cable (power supply)		
49	998635	Low voltage wiring		
50	65100879	Seal (combustion chamber - 10x6)		22
51	573327	"Y" piece (air pressure)		
52	573576	Compensation tube		
53	571651	Air pressure switch		
54	573329	Pressure intake cover		
55	997203	Support plate (air pressure switch)		
56	-----	Sealed chamber		11
57	998565	Cover (flue test point)		
58	998636	Gasket (flue test point - 5 pcs)		
59	998113	Restrictor(flue-exhaust-D.45)		
59	999980	Restrictor(flue-exhaust-D.43)		
60	999561	Flue (exhaust manifold / header)		
61	998637	Gasket (flue collar - 5 pcs)		
62	998595	Plug (air intake)		
63	999925	Earth cable (sealed chamber)		
64	995318	Fan cable & sensor		
65	995319	Fan cable & sensor		

PART.	CODE	DESCRIPTION	REF.	NOTE
66	998566	Fixing clamp (fan)		
67	65100707	Gasket (fan) (5 pcs)		23
68	999135	Panel (insulation - fan)		
69	998894	Fan		
70	998640	Panel (insulation - rear)		
71	65100298	Panel (L.H. side)		
72	998458	Temperature probe (D.H.W.)		
73	998619	Exchanger (twin pass)		
74	998639	Panel (insulation - side)		
75	995991	Burner 13 ramp (natural gas)	A	
75	65101061	Burner 13 ramp (LPG)	B	
76	569443	Silicone seal		
77	573325	Rivet		
78	996159	Pipe (cold water inlet)		
79	998424	O-ring (C=4 D=17,04) (10 pcs)		
80	574279	Gasket (spark generator) (5 pcs)		
81	65100249	Spark generator		
82	65100244	Gas valve		
83	573520	Gasket 3/4" (25 pcs)		
84	65100299	Pipe (gas valve/burner)		
85	572138	Burner jet washer (20 pcs)		
86	998433	Burner jet (N.G. 1.30) (10 pcs)	A	
86	998434	Burner jet (L.P.G. 0.77) (10 pcs)	B	
87	998731	Pipe (C.H. return)		
88	998727	Pipe (C.H. flow)		
89	569720	Blind grommet		
90	571787	Terminal board (two pole)		
91	997745	Cover (potentiometers/P.C.B.)		
92	998517	Gasket (20 pcs)		
93	65100555	Panel (combustion chamber - front)		24
94	998147	Ignition electrode cable rubber		
95	65100251	Electrode (Ignition R.H.)		
96	65100250	Electrode (Ignition L.H.)		
97	998624	Electrode (Detection)		
98	998582	Fixing spring (overheat thermostat)		
99	996065	Thermostat (overheat- 103°C)		
100	990707	Panel (R.H.side)		
101	999385	Flue hood		
102	995995	Panel (insulation - front)		
103	998076	Gasket (sight glass)		
104	998075	Sight glass		
105	999151	Panel (combustion chamber - front)		
106	999929	Cable (P.C.B./air pressure switch)		
107	999425	Wiring (air pressure switch/probe)		
301	65100300	Case panel (L.H. side)		
302	999316	Case panel (front)		
303	65100301	Case panel (R.H. side)		
304	995305	Washer (20 pcs)		
351	998644	O-ring (pump) (10 pcs)		
352	998643	Auto Air Vent		
353	998738	Gasket (pump head)		
354	996615	Kit (motor pump)		25
401	573520	Gasket 3/4" (25 pcs)		
402	999702	Pipe (C.H. flow)		
403	999683	Air release valve 3/8" with O-ring		
404	570744	Isolating valve (3/4" flow)		
405	999701	Pipe (D.H.W. outlet)		
406	573528	Gasket 1/2" (25 pcs)		
407	571000	Isolating valve (gas inlet)		
408	570743	Isolating valve 1/2" M-M D.15bic(inlet)		
409	999700	Pipe (cold water inlet)		
410	999582	Isolating valve (3/4" return)		

PART.	CODE	DESCRIPTION	REF.	NOTE
501	998717	Burner jet (full kit - L.P.G.) (15 pcs)		12
501	998716	Natural gas burner jet full kit (15 pcs)		12

NOTE	DESCRIPTION
11	Not supplied as a spare part
12	Not illustrated
21	Replaces code 999091 - from serial number: 2320330000001 - unification of replacement parts
22	Replaces code 998516 - from serial number: 2320330000001 - production improvement
23	Replaces code 995349 - from serial number: 2320330000001 - production improvement
24	Replaces code 996134 - from serial number: 2320330000001 - production improvement
25	Replaces code 999207 - from serial number: 2320330000001 - production improvement