



SPARE PARTS EXPLODED VIEW  
GAS WALL BOILERS

Model

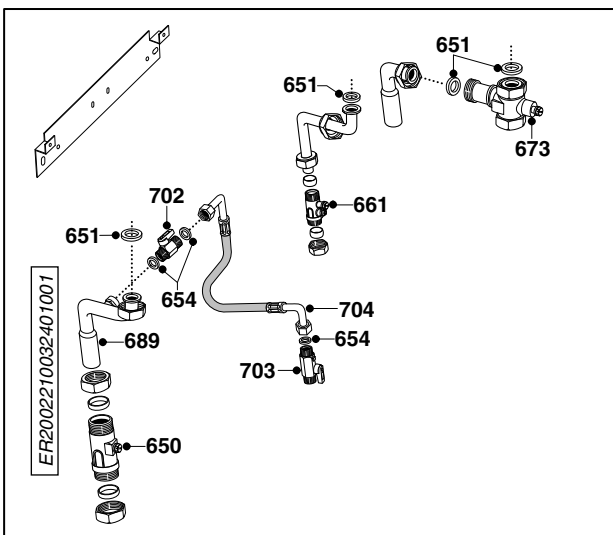
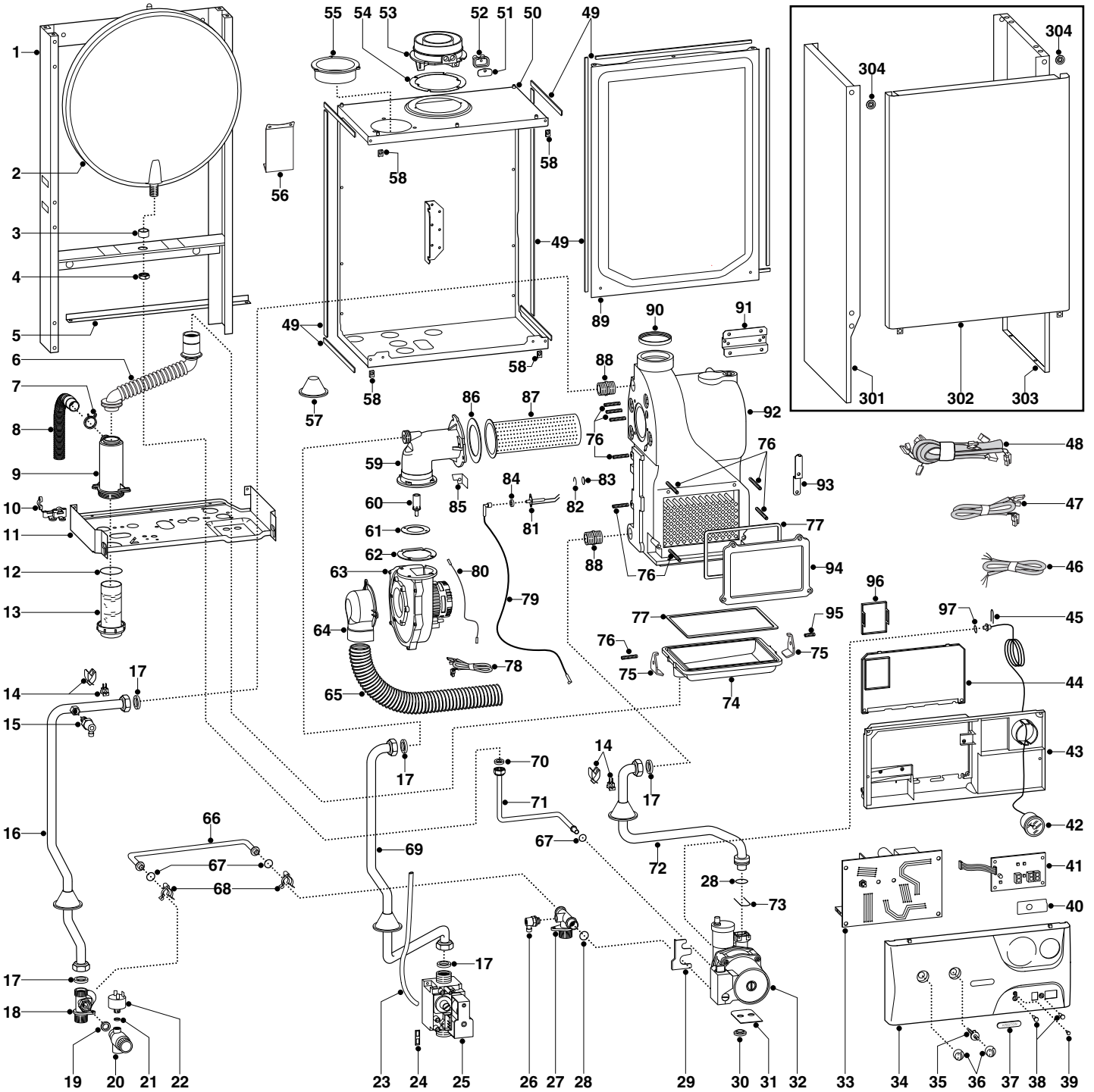
**ecoSYSTEM 27 RFFI**

---

Edition 1

Current from Serial No: 2320224700001 to -----





MODEL	CHARACTERISTICS	SERIAL NO. VALIDITY	REF.
ECOSYSTEM 27 RFFI	METHANE	2320224700001	A
ECOSYSTEM 27 RFFI	LPG	2320224700001	B

PART.	CODE	DESCRIPTION	REF.	NOTE
1	-----	Boiler frame		11
2	990683	Expansion vessel		
3	998776	Bush (expansion vessel)		
4	998581	3/8" lock nut		
5	990492	Frame support		
6	990664	Flexible pipe (condensate tray - condensate trap)		
7	990662	Clamp		
8	990665	Discharge pipe (condense)		
9	990658	Condensate trap (upper)		
10	998580	Cable holder		
11	-----	Hydraulic group support		11
12	990695	O-ring (Condensate trap - 3175 EPDM D=44.9)		
13	990659	Condensate trap (lower)		
14	990686	Temperature probe + clip (C.H. - T335D)		
15	573727	Drain valve		
16	990738	Pipe (C.H. flow)		
17	573520	Gasket 3/4"		
18	996049	Flow group (twin pass)		
19	573528	Gasket 1/2"		
20	998447	Safety valve (1/4" 3 Bar)		
21	569390	Gasket 1/4"		
22	995903	Low water pressure switch		
23	573576	Compensation tube		
24	574279	Gasket (spark generator)		
25	990682	Gas valve (Sigma 848)		
26	998809	Drain valve		
27	990708	Return group		
28	998424	O-ring (C=4 D=17.04)		
29	999162	Pump bracket		
30	999100	Lock washer		
31	995364	Spacer plate (pump)		
32	999091	Pump		
33	990692	Printed circuit board (main)		
34	990740	Control panel		
35	990660	Spindle (knob)		
36	990679	Knob		
37	-----	Plate		11
38	998751	Button (reset)		
39	998653	L.E.D. lens		
40	998766	Film (display)		
41	990693	Printed circuit board (display)		
42	999245	Pressure gauge		
43	-----	Control panel		11
44	990673	Control panel case (rear)		
45	571548	U-clip		
46	990690	Wiring (power supply)		
47	990743	Low voltage wiring		
48	990744	High voltage wiring		
49	998516	Seal (combustion chamber - 10x6)		
50	-----	Sealed chamber		11
51	998565	Cover (flue test point)		
52	998636	Gasket (flue test point)		
53	990678	Flue (exhaust manifold / header)		
54	998637	Gasket (flue collar)		
55	998595	Plug (air intake)		
56	-----	Fixing bracket (sealed chamber)		11
57	-----	Rubber		11
58	570717	Spring (fastening)		
59	990676	Elbow (fan)		
60	990656	Injector (L.P.G.)	B	
60	990657	Injector (N.G.)	A	
61	990675	Restrictor (fan)		
62	990694	Gasket (fan)		
63	998888	Fan		
64	990661	Elbow (fan suction silencer)		
65	990669	Pipe (fan suction silencer)		

PART.	CODE	DESCRIPTION	REF.	NOTE
66	998589	By-pass pipe		
67	998077	O-ring gasket		
68	998064	Spring (by-pass pipe)		
69	990666	Gas pipe		
70	573521	Gasket 3/8"		
71	999525	Pipe (expansion vessel)		
72	990739	Pipe (C.H. return)		
73	997153	U-clip		
74	990677	Condensate tray		
75	999999	Support (condensate tray)		
76	999523	Dowel (M6x35)		
77	999497	Seal (silicone - inspection cover/condensate tray - 6x8)		
78	990689	Cable (fan)		
79	995983	Cable (ignition electrode)		
80	-----	Cable (earth)		11
81	995964	Electrode (Ignition/Detection)		
82	999227	Retaining ring (D=16mm)		
83	998782	Sight glass (burner)		
84	998769	Gasket (electrode insulation)		
85	-----	Flame mirror		11
86	998680	Gasket (elbow)		
87	998668	Burner		
88	998666	Nipple (gas - 3/4" M/M)		
89	990674	Panel (front - sealed chamber)		
90	998423	Lip gasket (D=66 mm)		
91	-----	Top brace		11
92	990684	Main exchanger (aluminium)		
93	-----	Low brace		11
94	998777	Aluminium inspection lid		
95	990663	Dowel (M6X25)		
96	997745	Timer opening cover		
97	998517	Gasket		
301	990681	Case panel (L.H. side)		
302	990671	Case panel (front)		
303	990680	Case panel (R.H. side)		
304	995305	Washer		
650	570744	Isolating valve (3/4" flow)		
651	573520	Gasket 3/4"		
654	573521	Gasket 3/8"		
661	571000	Isolating valve (gas inlet)		
673	999582	Isolating valve (3/4" return)		
689	999702	Pipe (C.H. flow)		
702	990742	Tap (M/M 3/8" - C.H. flow)		
703	990741	Tap (M/M 3/8" inc. non-return - C.W. inlet)		
704	990737	Filling loop pipe		

NOTE	DESCRIPTION
11	Not supplied as a spare part