



SPARE PARTS EXPLODED VIEW  
UNVENTED CYLINDER

Model

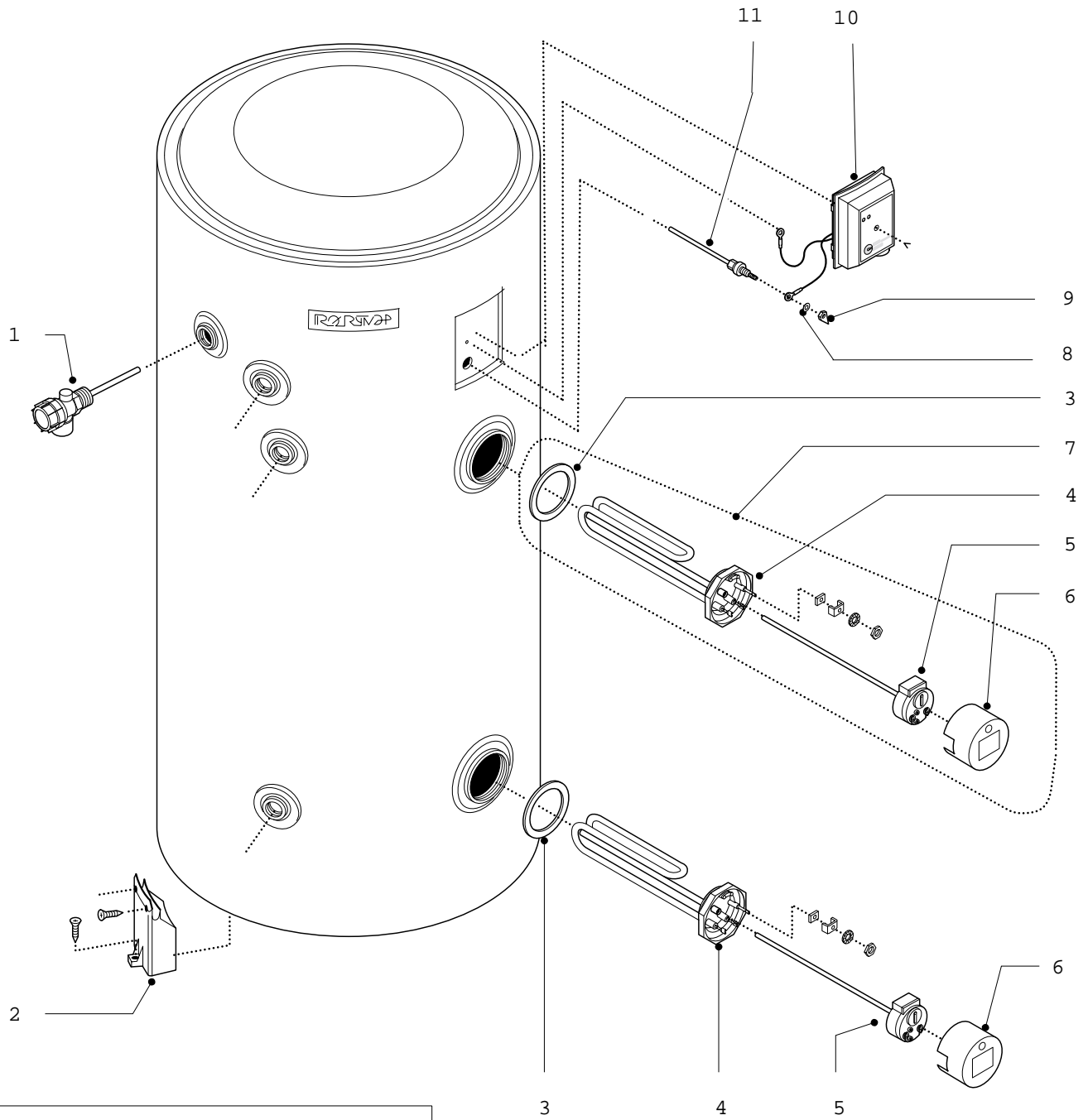
**CONTRACT STD 300 PROTECH**

---

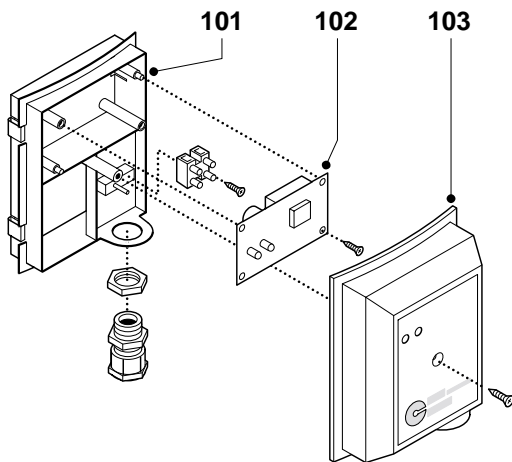
Edition 1

Current from Serial No. 010000000893020 to  
-----





code 925345



MODELS	CODE	SERIAL NO. VALIDITY	REF.
STD 300 PROTECH CONT	893020	01000000893020	A

ER2000305007001001

<b>PART.</b>	<b>CODE</b>	<b>DESCRIPTION</b>	<b>REF.</b>	<b>NOTE</b>
1	969046	Temperature + pressure relief valve (1/2")		
2	926136	Foot (100mm)		
3	924087	Gasket (heating element)		
4	816557	Heating element (3kW 240V)		
5	691218	Thermostat (TBS 300)		
6	935182	Element cap		
7	935347	Element kit (2 1/4")		12
8	918046	Washer (M4)		
9	918117	Nut (M4-ZN)		
10	925345	Printed circuit board (complete wth covers)		
11	340407	Electrode (titanium)		
101	925344	Back cover (P.C.B.)		
102	925294	Printed circuit board		
103	926338	Cover (P.C.B.)		
104	918096	Fixing screw (3.5x16)		11

<b>NOTE</b>	<b>DESCRIPTION</b>
11	Not illustrated
12	Gasket+element+thermostat+protection assembly