



SPARE PARTS EXPLODED VIEW
UNVENTED CYLINDERS

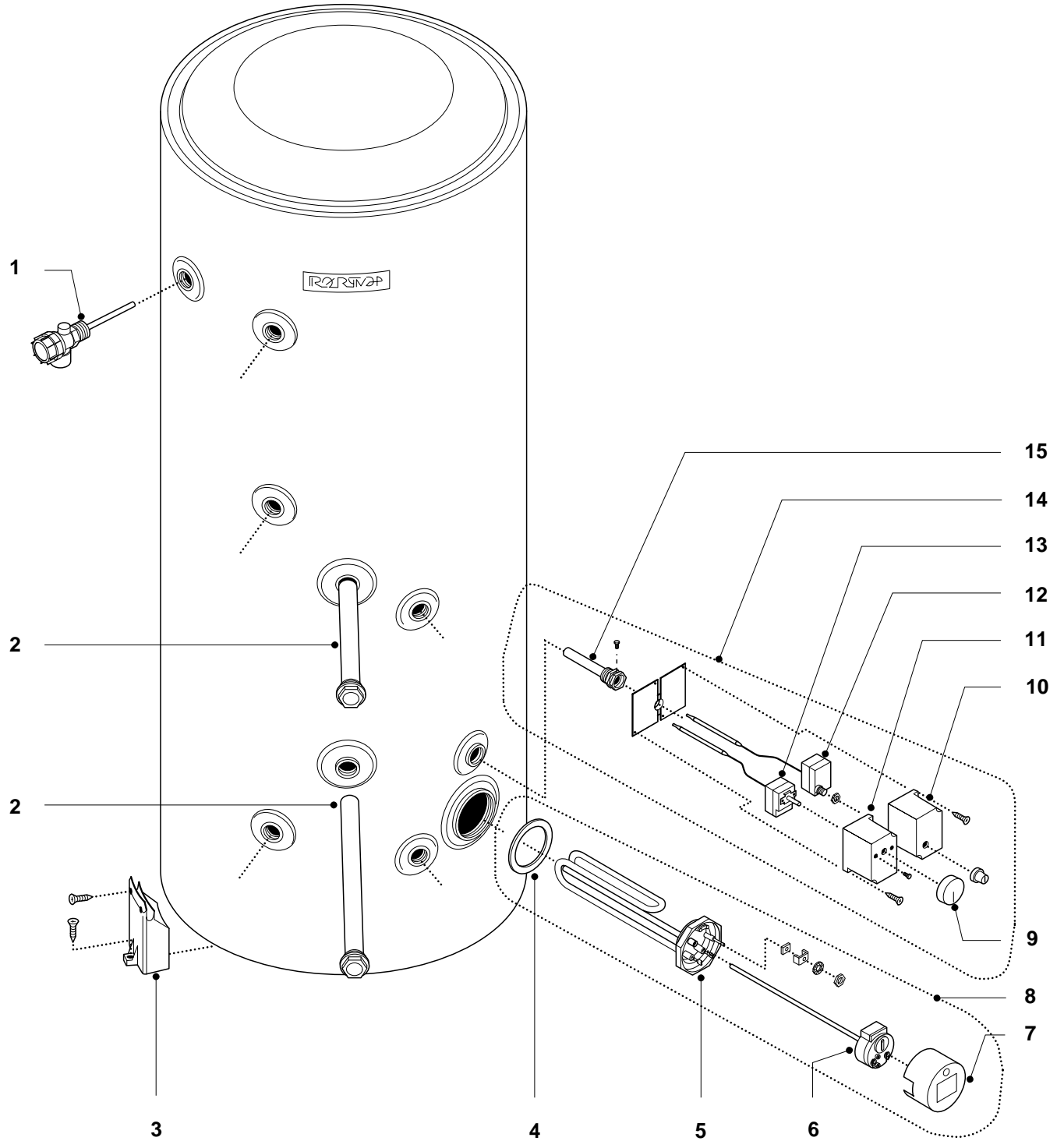
Model

CONTRACT STI 300

Edition 1

Current from Serial No:- 990000000890353 to





MODEL	CODE	FROM SERIAL NO.	REF.
CONTRACT STI 300 INDIRECT	890353	990000000890353	A

PART	CODE	DESCRIPTION	REF.	NOTE
1	969040	Temperature + pressure relief valve 7 bar		
2	919054	Anode D.26 x 370 + union 1" male		
3	926136	Feet 100 mm		
4	924087	Element 2"1/4		
5	816544	Element RE UK 143 3 kW 240 V		
6	691218	Thermostat TBS 300		
7	935182	Element cap PVC for thermostat TBS 300		
8	935191	Element kit 2"1/4		11
9	935188	Regulation knob		
10	935187	Cover cut-out thermostat		
11	935186	Cover regulation thermostat		
12	935185	Cut-out thermostat (indirect)		
13	935184	Regulation thermostat (indirect)		
14	921046	Thermostat kit (cut-out + regulation)		
15	935183	Thermostat pocket 1/2" L.110		

NOTE	DESCRIPTION
11	Kit includes: element + thermostat + gasket