



SPARE PARTS EXPLODED VIEW  
UNVENTED CYLINDERS

Models

**CONTRACT STD 150**

**CONTRACT STD 210**

---

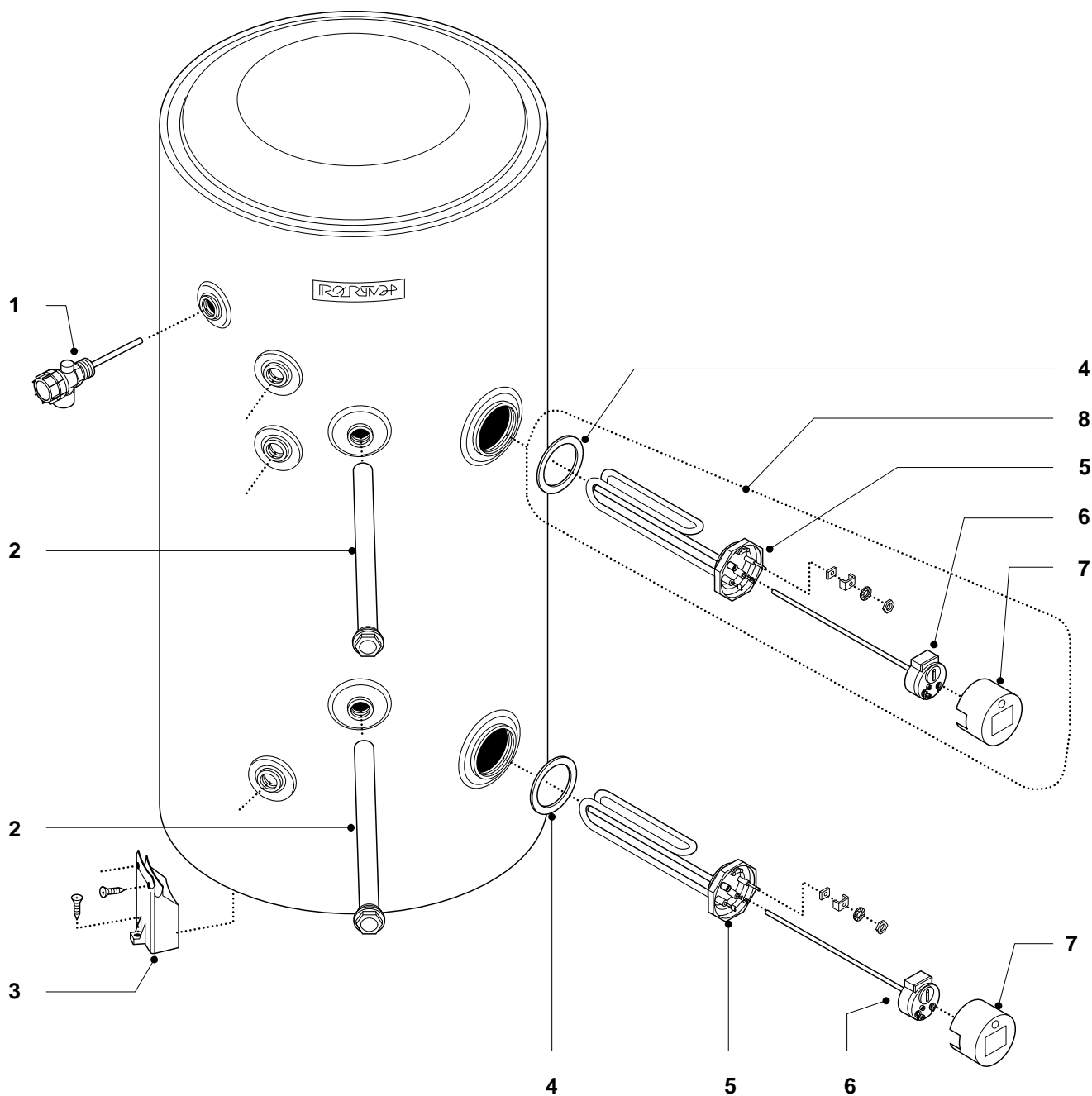
Edition 1

Current from Serial No:-

STD 150      970000000893005 to 000000000893005

STD 210      970000000890498 to 000000000893006





MODEL	CODE	FROM SERIAL NO.	REF.
CONTRACT STD 150	890497	970000000890497	A
CONTRACT STD 210	890498	970000000890498	B

<b>PART</b>	<b>CODE</b>	<b>DESCRIPTION</b>	<b>REF.</b>	<b>NOTE</b>
1	969040	Temperature + pressure relief valve 7 bar		
2	919054	Anode D.26 x 370 + 1" male		
3	926136	Feet 100 mm		
4	924087	Element gasket 2"1/4		
5	816544	Element RE UK 143 3 kW 240 V		
6	691218	Thermostat TBS 300		
7	935182	Element cap PVC for thermostat TBS 300		
8	935191	Element kit 2"1/4		11

<b>NOTE</b>	<b>DESCRIPTION</b>
11	Kit includes: element + thermostat + gasket