



SPARE PARTS EXPLODED VIEW
GAS WALL BOILERS

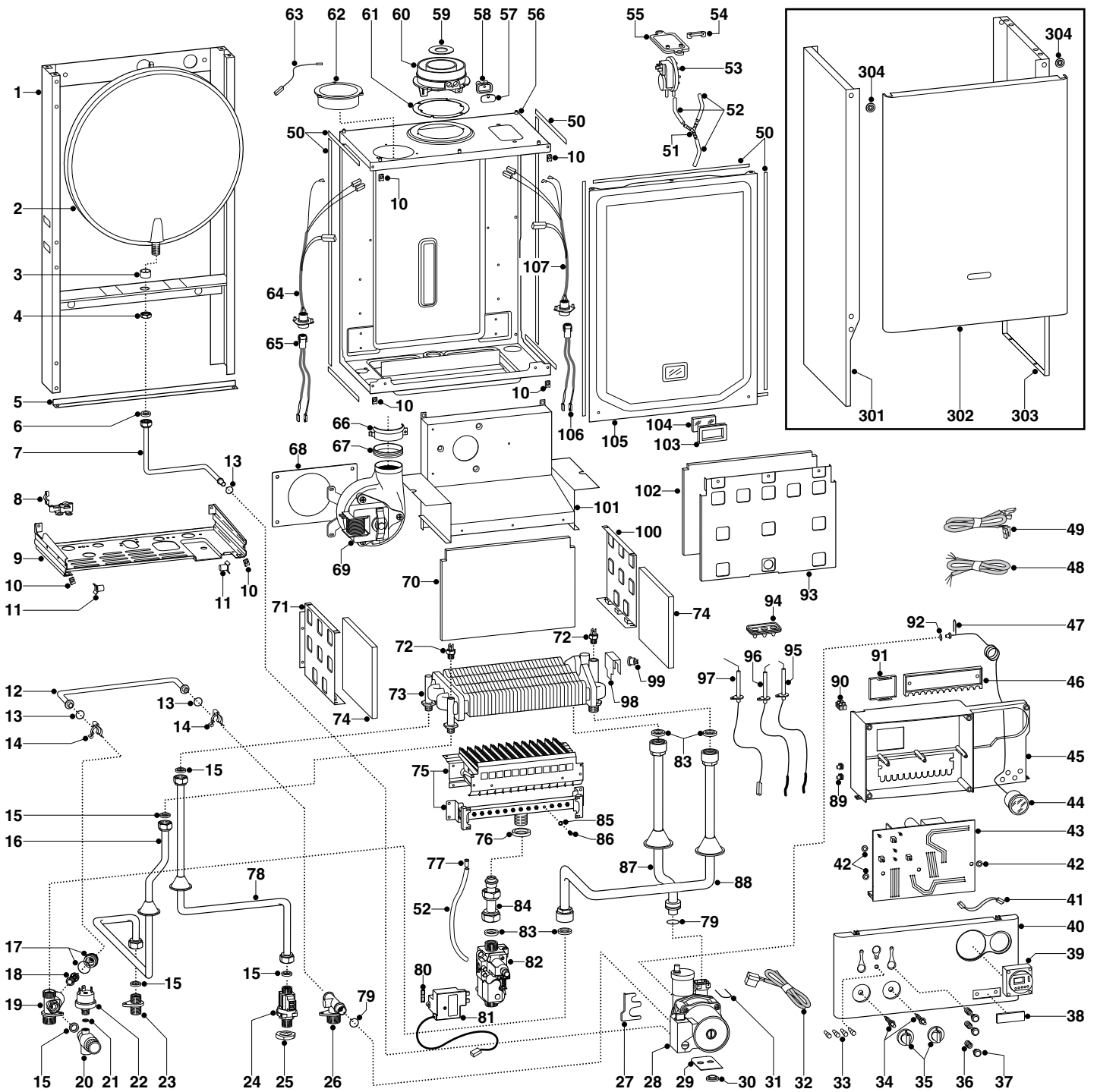
Model

microCombi 27 MFFI

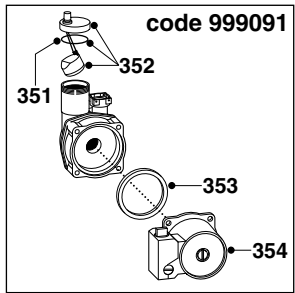
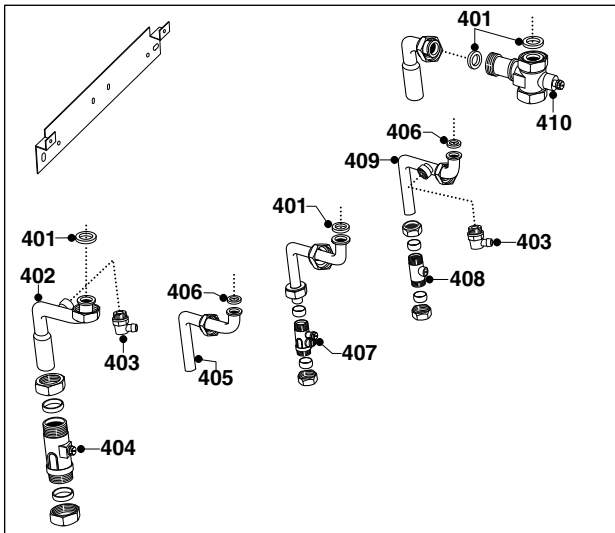
Edition 1

Current from: 2320309500001 to: -----





ER20032 10036301001



MODEL	CHARACTERISTICS	SERIAL NO. VALIDITY	REF.
MicroCombi 27 MFFI	METHANE	2320309500001	A

PART.	CODE	DESCRIPTION	REF.	NOTE
1	-----	Frame		11
2	998616	Expansion vessel		
3	998776	Bush		
4	998581	3/8" lock nut		
5	65100295	Frame support		
6	573521	Gasket 3/8" (25 pcs)		
7	999525	Pipe (expansion vessel)		
8	998580	Cable holder		
9	-----	Hydraulic group support		11
10	570717	Spring (fastening) (5 pcs)		
11	995492	Pivot		
12	998589	By-pass pipe		
13	998077	O-ring gasket (20 pcs)		
14	998064	Spring (by-pass pipe) (10 pcs)		
15	573528	Gasket 1/2" (25 pcs)		
16	999104	Pipe (D.H.W. outlet)		
17	996045	By-pass union + O-ring		
18	996046	By-pass (FUGAS)		
19	996049	Flow group (twin pass)		
20	998447	Safety valve (1/4" 3 Bar)		
21	569390	Gasket 1/4" (25 pcs)		
22	995903	Low water pressure switch		
23	998611	Union (hot water outlet)		
24	65100296	Flow gauge (bitron - 1/2" M-M)		
25	573530	Lock nut 1/2"		
26	996047	Return group		
27	999162	Pump bracket		
28	999091	Pump		
29	995364	Spacer plate (pump)		
30	999100	Lock washer (20 pcs)		
31	997153	U-clip (20 pcs)		
32	999968	Cable (P.C.B. - pump)		
33	998577	Led (L=14.2)		
34	999592	Spindle (knobs)		
35	999596	Control knob		
36	999595	Spring (push button)		
37	999976	Push button		
38	-----	Name badge		11
39	999599	Clock		
40	995461	Control panel		
41	65100297	Cable (time clock)		
42	569711	Nylon bush (10mm - 20 pcs)		
43	65100248	P.C.B. BT2M-HS		
44	999245	Pressure gauge		
45	-----	Control panel		11
46	998953	Cable holder cover		
47	571548	U-Clip		
48	995979	Cable (power supply)		
49	998635	Low voltage wiring		
50	998516	Gasket (adhesive 10x6 - 5 pcs)		
51	573327	"Y" piece (air pressure)		
52	573576	Compensation tube		
53	571651	Air pressure switch		
54	573329	Pressure intake cover		
55	997203	Support plate (air pressure switch)		
56	-----	Sealed chamber		11
57	998565	Cover (flue test point)		
58	998636	Gasket (flue test point - 5 pcs)		
59	999980	Restrictor (flue - exhaust manifold/header)		
59	998113	D.14 membrane		
60	999561	Flue (exhaust manifold/header)		
61	998637	Gasket (flue collar - 5 pcs)		
62	998595	Plug (air intake)		
63	999925	Earth cable (sealed chamber)		
64	995318	Fan cable & sensor		
65	995319	Fan cable & sensor		

PART.	CODE	DESCRIPTION	REF.	NOTE
66	998566	Fixing clamp (fan)		
67	995349	Gasket (fan) (5 pcs)		
68	999135	Panel (insulation - fan)		
69	998894	Fan		
70	998640	Panel (insulation - rear)		
71	65100298	Panel (L.H. side)		
72	998458	Temperature probe		
73	998619	Exchanger (twin pass)		
74	998639	Panel (insulation - side)		
75	995991	Burner 13 ramp (natural gas)		
76	569443	Silicone seal		
77	573325	Rivet (20 pcs)		
78	996159	Pipe (cold water inlet)		
79	998424	O-ring (C=4 D=17,04) (10 pcs)		
80	574279	Gasket (5 pcs)		
81	65100249	Spark Generator		
82	65100244	Gas valve VK 4105 M 5041		
83	573520	Gasket 3/4" (25 pcs)		
84	65100299	Pipe (gas valve honeywell/burner)		
85	572138	Burner jet washer (20 pcs)		
86	998433	Burner jet (N.G. 1.30) (10 pcs)		
87	998731	Pipe (C.H. return)		
88	998727	Pipe (C.H. flow)		
89	569720	Blind grommet		
90	571787	Terminal board (two pole)		
91	997745	Timer opening cover		
92	998517	Gasket (20 pcs)		
93	996134	Panel (combustion chamber - front)		
94	998147	Ignition electrode cable rubber		
95	65100251	Electrode (Ignition R.H.)		
96	65100250	Electrode (Ignition L.H.)		
97	998624	Electrode (Detection)		
98	998582	Fixing spring (overheat thermostat)		
99	996065	Thermostat (overheat- 103°C)		
100	990707	Panel (R.H.side)		
101	999385	Flue hood		
102	995995	Panel (insulation - front)		
103	998076	Gasket (sight glass)		
104	998075	Sight glass		
105	999151	Panel (combustion chamber - front)		
106	999929	Cable (P.C.B./air pressure switch)		
107	999425	Wiring (air pressure switch/probe)		
301	65100300	Case panel (L.H. side)		
302	999316	Case panel (front)		
303	65100301	Case panel (R.H. side)		
304	995305	Washer (20 pcs)		
351	998644	O-ring (A.A.V.)		
352	998643	Auto Air Vent		
353	998738	Gasket (pump head)		
354	999207	Pump head		
401	573520	Gasket 3/4" (25 pcs)		
402	999702	Pipe (C.H. flow)		
403	999683	Air release valve 3/8" with O-ring		
404	570744	Isolating valve 3/4" M-M D=22bic (Flow/Return)		
405	999701	Pipe (D.H.W. outlet)		
406	573528	Gasket 1/2" (25 pcs)		
407	571000	Isolating valve (gas inlet)		
408	570743	Isolating valve 1/2" M-M D=15bic (d.h.w. inlet)		
409	999700	Pipe (cold water inlet)		
410	999582	3/4" valve		

NOTE	DESCRIPTION
11	Not supplied as a spare part

ER2003210036301001