



SPARE PARTS EXPLODED VIEW  
UNVENTED CYLINDER

Model

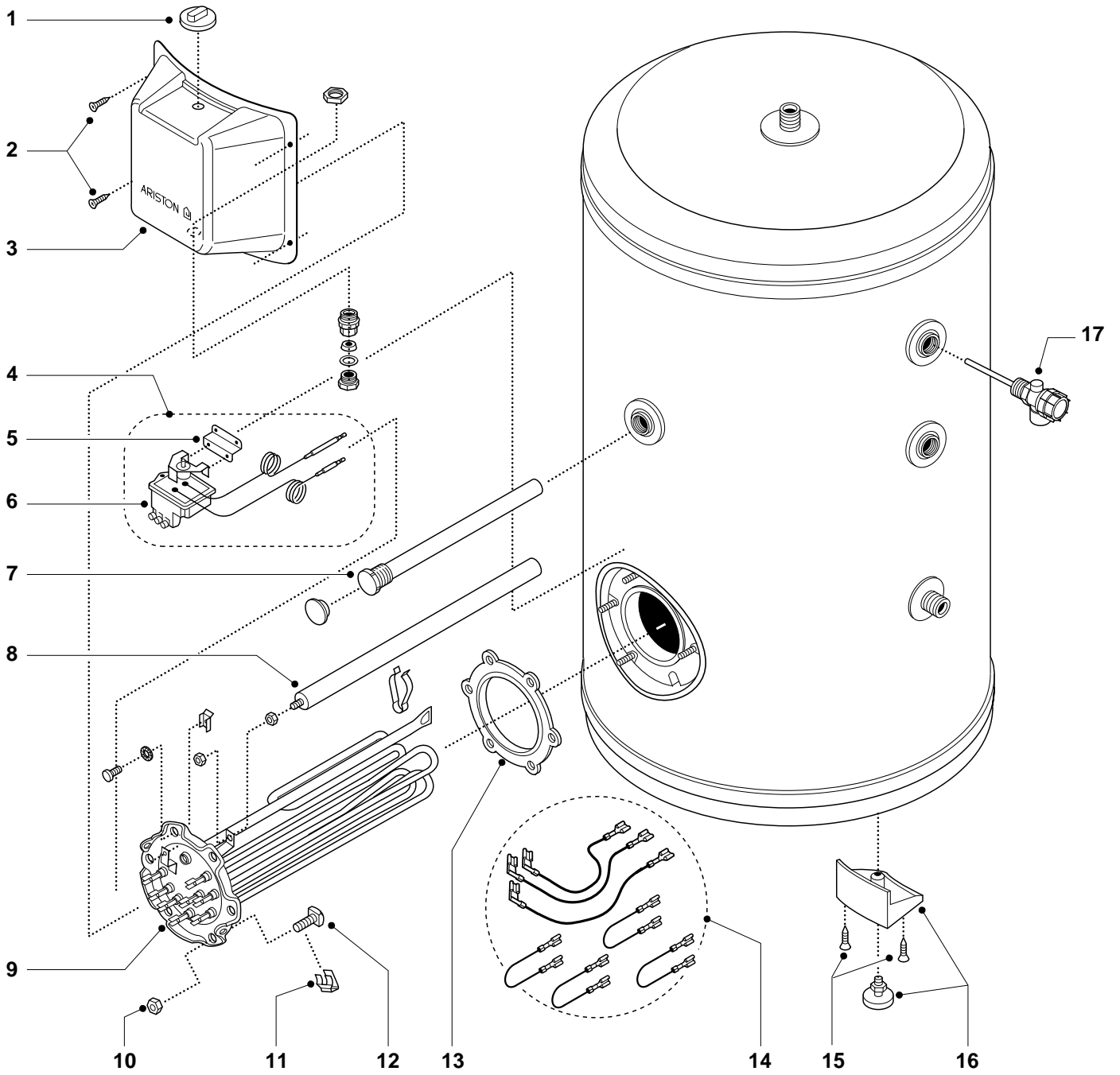
**500 STD UK**

---

Edition 2

Current from Serial No:- 000000000893010 to  
-----





ER2001305006801001

MODELS	CODE	SERIAL NO. VALIDITY	REF.
CONTRACT STD 500	893010	00000000893010	A

PART.	CODE	DESCRIPTION	REF.	NOTE
1	926068	Regulation knob		
2	918036	Screw (3,9x19)		
3	926159	Plastic cover		
4	925252	Thermostat wiring		
5	925197	Thermostat bracket		
6	921044	Thermostat		
7	919049	Magnesium anode 26x600 M8		
8	919037	Anode (Magnesium M8 21.3x400)		
9	816518	Element + anode D.110 (3x2000W - 230V)		
10	918041	Nut M10		
11	918005	Fixing spring		
12	918061	Flange screw M10x32		
13	291056	Flange gasket		
14	935196	Wiring		
15	918113	3.9x22mm screw		
16	926168	Foot		
17	969046	Temperature + pressure relief valve (1/2")		

NOTE	DESCRIPTION

PART.	NOTIFICATION OF CHANGES	
	<b>Spares listed below are not interchangeable with those in Ed.1</b>	
2	918036 - Screw (3.19X19)	- not listed on original drawing
3	926159 - Plastic cover	- replaces 926048 from serial number: 00000000893010
4	925252 - Thermostat (c/w wiring)	- not listed on original drawing
6	921044 - Thermostat	- replaces 921001 from serial number: 00000000893010
7	919049 - Anode (26x600 M8)	- not listed on original drawing
8	919037 - Anode (21.3x400 M8)	- replaces 919027 from serial number: 00000000893010
10	918041 - Nut (M10)	- not listed in original drawing
11	918005 - Fixing spring	- not listed on original drawing
12	918061 - Screw (flange M10x32)	- not listed on original drawing
14	935196 - Wiring (element)	- replaces 935044 from serial number: 00000000893010
15	918113 - Screw (3.9x22mm)	- not listed on original drawing
17	969046 - Temp. & Press. relief valve (7bar - ½")	- not listed on original drawing