



SPARE PARTS EXPLODED VIEW
UNVENTED CYLINDER

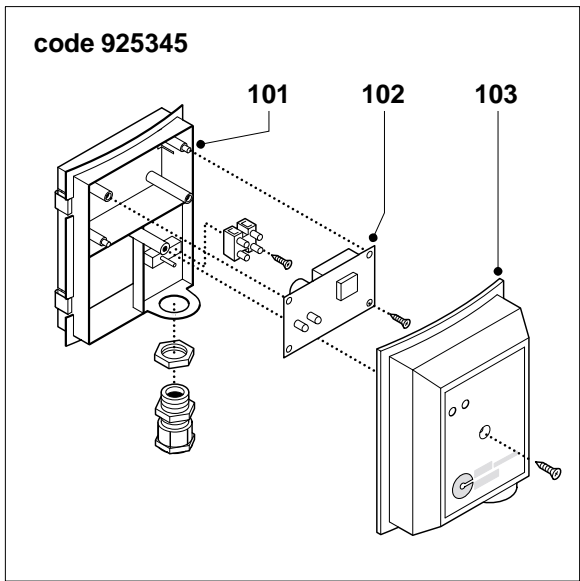
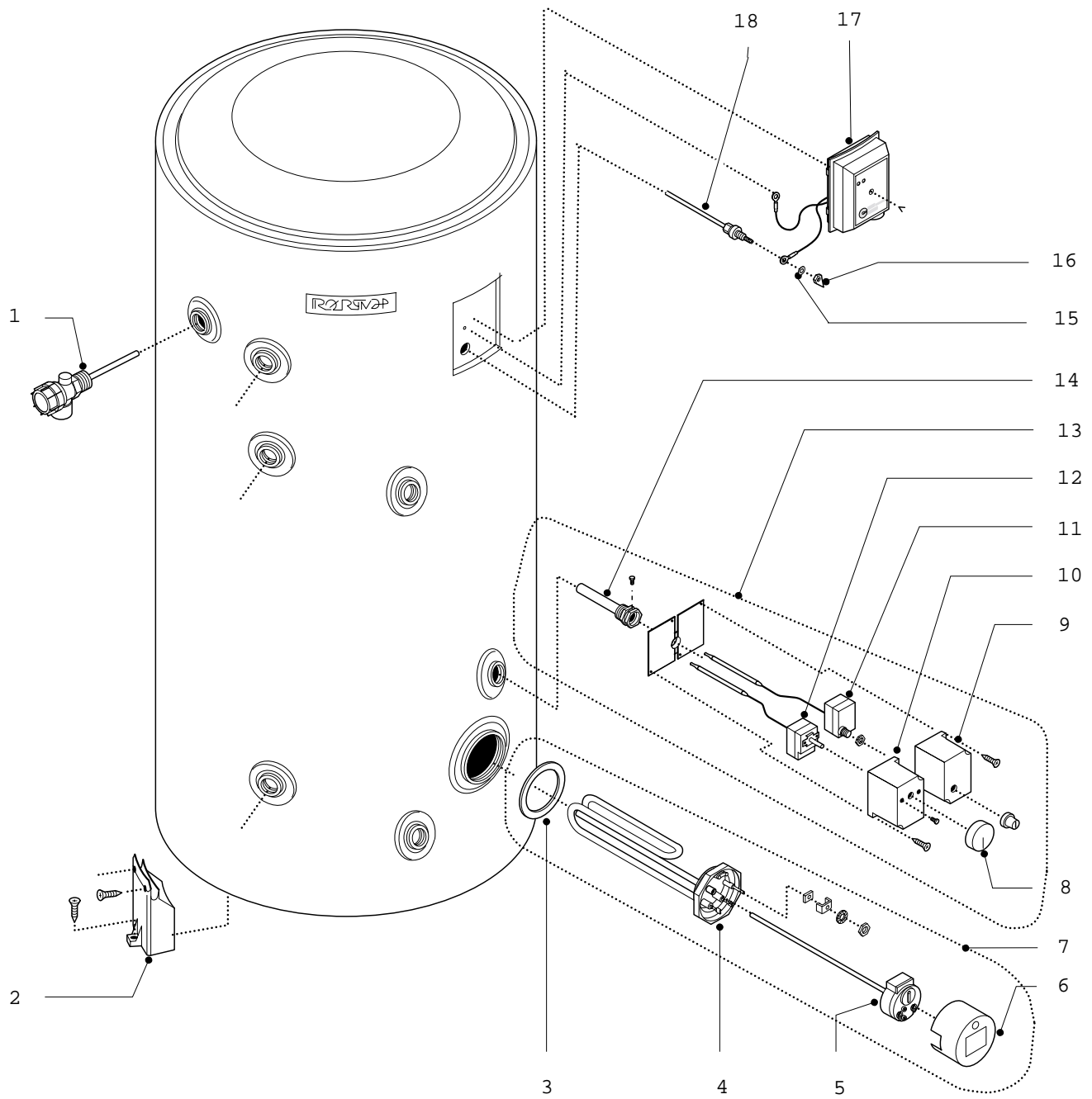
Model

CONTRACT STI 300 PROTECH

Edition 1

Current from Serial No. 010000000893021 to





MODELS	CODE	SERIAL NO. VALIDITY	REF.
STI 300 PROTECH CONT	893021	01000000893021	A

ER20000305007101001

PART.	CODE	DESCRIPTION	REF.	NOTE
1	969046	Temperature + pressure relief valve (1/2")		
2	926136	Foot (100mm)		
3	924087	Gasket (heating element)		
4	816557	Heating element (3kW 240V)		
5	691218	Thermostat (TBS 300)		
6	935182	Element cap		
7	935347	Element kit (2 1/4")		11
8	935188	Regulation knob		
9	935187	Cover (thermal cut-out)		
10	935186	Cover (regulation thermostat)		
11	935185	Thermal cut-out (indirect)		
12	935184	Regulation thermostat (indirect)		
13	921046	Thermostat kit (cut-out + regulation)		
14	935183	Thermostat pocket (1/2" L.110)		
15	918046	Washer (M4)		
16	918117	Nut (M4-ZN)		
17	925345	Printed circuit board (complete wth covers)		
18	340407	Electrode (titanium)		
101	925344	Back cover (P.C.B.)		
102	925294	Printed circuit board		
103	926338	Cover (P.C.B.)		

NOTE	DESCRIPTION
11	Gasket+element+thermostat+protection assembly