

WATER HEATERS

5 TO 30 LITRES

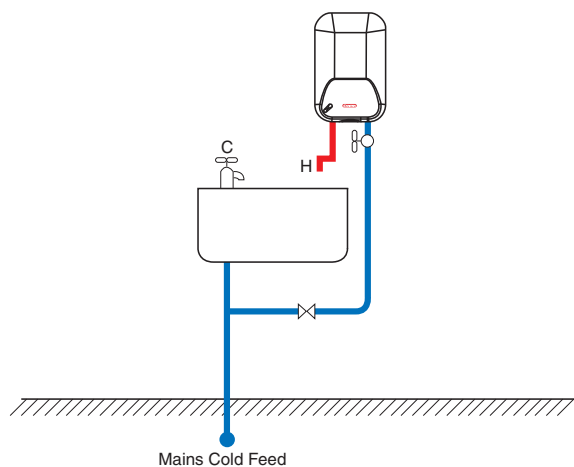


**EFFICIENT AND VERSATILE
ELECTRIC WATER HEATERS**

THE SMART CHOICE

5 - 30 LITRE WATER HEATERS

OPEN OUTLET INSTALLATION



There are many installations where hot water is required but where it is not convenient to enlarge the existing central hot water system or where there is no central system at all.

This brochure introduces a range of Ariston water heaters, from 5 litres to 30 litres capacity, designed to deliver hot water for localised use such as in small industrial units, warehouses, dentists' and doctors' surgeries, cafés, and certain residential situations, e.g. additional bathrooms, loft conversions, etc.

Ariston's Eureka and Piccolo water heaters are suitable for vented or gravity cold feed. The Ariston Europrisma is designed for installation with an unvented cold feed. The specifier and installer should note the different regulations and requirements for the two categories of unvented systems:

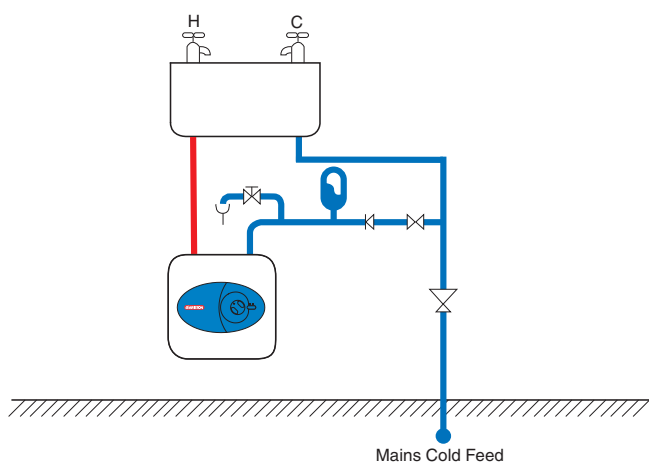
- over 15 litres, and
- 15 litres and under.

These are detailed in 'a guide to Unvented Cylinder and Water Heater Systems', available FREE from Ariston, tel 01494 755600.

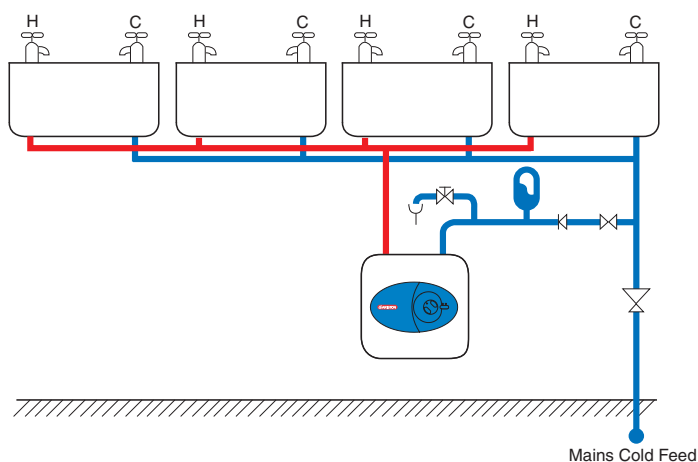
A sister brochure, Unvented Cylinders, introduces Ariston products from 50 litres to 500 litres designed for direct or indirect heating applications.

Further technical advice is available from the technical advice line, tel 0870 241 8180. Training courses are available at various centres nationwide which can qualify the installer as a "competent person" to install unvented systems with a capacity over 15 litres.

UNVENTED SINGLE INSTALLATION



UNVENTED MULTIPLE INSTALLATION



MERLONI TERMOSANITARI GROUP

The Merloni TermoSanitari Group, owner of the Ariston brand name, is the leading world manufacturer of unvented water heating and storage products with more than 50 years experience. The production of water heaters is distributed between five production plants in Europe. Continuous research into new technology and design ensures that Ariston's quality and reliability remain at the high standard its customers have come to expect. Every detail of water heater production is controlled by qualified personnel, using the latest technology, quality materials, and continuous testing throughout the production cycle. By applying such stringent conditions, the MTS Group has attained ISO Corporate Certification, "joining a few elite companies within the EU to achieve this Award".

INSTALLATION FLEXIBILITY

Thanks to their compact sizes, the range of Ariston electric water heaters can be installed virtually anywhere. There are under-sink and over-sink models to suit demands from low-usage single basin installations, to heavy-usage 2-3 basin installations. Installations of unvented water heaters of 15 litres or less are treated differently by regulations and guidelines from those of more than 15 litres. Guidance is offered in a free leaflet from Ariston, tel: 01494 755600, e-mail: info@uk.mtsgroup.com

RELIEF VALVES

All Ariston Europrisma unvented water heaters are supplied with either a factory fitted temperature and pressure relief (T&P) valve (model EP30 R only), or a separate pressure relief (PR) valve. The T&P valve prevents the stored water from exceeding 100°C in the event of the failure of the other safety devices. The PR valve is supplied as standard with Europrisma 10 and 15 litre models and protects from over pressurising. See over for details of Europrisma optional expansion vessel and check valve, or pressure reducer, and line strainer.

ANTI-CORROSION SYSTEMS

Ariston Europrisma water heaters are vitreous enamel coated, high-strength steel for performance and durability. All are factory fitted with an active magnesium anode to give guaranteed long tank life. The magnesium anode system is a sacrificial anode positioned inside the tank in such a manner as to ensure easy inspection and replacement when necessary.



TOP QUALITY HEATING ELEMENTS

Built with first grade materials to guarantee a long life, the elements incorporated in most Ariston water heaters are all produced "in-house" at one of the MTS group's ISO 9001 certified factories.

THERMOSTAT

All Ariston water heaters are equipped with quality thermostats, which guarantee high performance and safety.

EFFICIENT INSULATION, LOW POWER CONSUMPTION

A high density, thick polyurethane foam layer guarantees all Ariston Europrisma water heaters excellent insulation, whilst at the same time drastically cutting power consumption.

THERMAL CUT-OUT

All Ariston Europrisma water heaters are also equipped with a manual reset thermal cut-out. This device overrides the main thermostat in the case of failure. (In the case of the Eureka and Piccolo a thermal fuse is fitted).

OVER-SINK AND UNDER-SINK WATER HEATERS



- Unvented cold water feed : see A Guide to Unvented Cylinders and Water Heater Systems, available free from Ariston
- Extra thick steel-plated tank, pressure tested and double coated vitreous enamelled
- Large magnesium anode
- CFC free polyurethane thermal insulation
- Regulation thermostat equipped with safety thermostat
- External temperature control
- Heating indicator light
- Front access for ease of maintenance
- Simple installation
- 3 year tank guarantee (1 year guarantee on electrical components)



Steel tank



High quality enamel coating



Magnesium anode



Polyurethane insulation

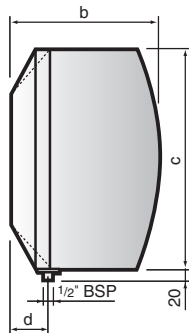
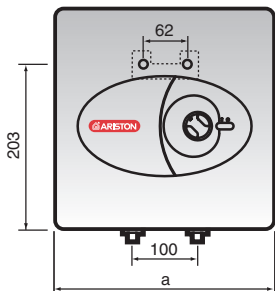


Temperature regulation

TECHNICAL INFORMATION

		EUROPRISMA EP 10 O R	EUROPRISMA EP 10 U R	EUROPRISMA EP 10 U R/2kW	EUROPRISMA EP 15 O R	EUROPRISMA EP 15 U R	EUROPRISMA EP 15 U R/2kW	EUROPRISMA EP 30 R	*Typical application
Capacity	litres	10	10	10	15	15	15	30	*Typical application • A: Low usage 1/2 basins/1 sink; (small kitchens, en suite bathrooms, loft conversions and cloakrooms) • B: Low usage 2/3 basins/1 sink; (kitchens, garages, factories and WCs) • C: Low usage 4/5 basins/2 sinks; (WC blocks) • D: Medium usage 2/3 1/2 basins/1 sink • E: Medium usage 2/3 basins/2 sinks • F: Medium usage 4/5 basins/2 sinks • G: Heavy usage 1/2 basins/1 sink • H: Heavy usage 2/3 basins/1 sink
Power	kW	3	3	2	3	3	2	3	
Voltage	V	240	240	240	240	240	240	240	
Reheat time ($\Delta T = 50^{\circ}\text{C}$)	minutes	12	12	17	18	18	26	58	
Maximum temperature	$^{\circ}\text{C}$	80	80	80	80	80	80	75	
Heat loss (kWh in 24 h) 60°C		0.50	0.67	0.67	0.70	0.87	0.87	0.90	
Typical application*		D	D	A	C/E/G	C/E/G	B	F/H	

EUROPRISMA OVER-SINK



WRc-NSF Ltd
Building Regulations Approved

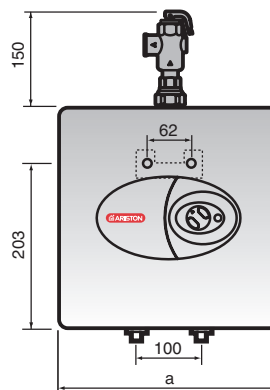
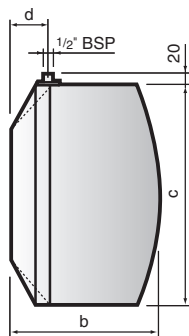
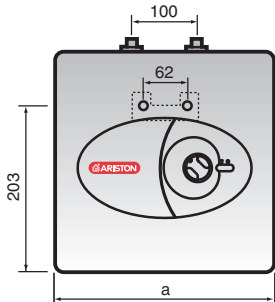
WRAS
APPROVED PRODUCT



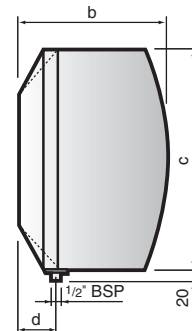
EP30 R only

EP30 R only

EUROPRISMA UNDER-SINK



EUROPRISMA OVER-SINK 30 litre



DIMENSIONS

	EUROPRISMA EP 10 O R	EUROPRISMA EP 10 U R	EUROPRISMA EP 10 U R/2kW	EUROPRISMA EP 15 O R	EUROPRISMA EP 15 U R	EUROPRISMA EP 15 U R/2kW	EUROPRISMA EP 30 R
a mm	350	350	350	350	350	350	440
b mm	255	255	255	300	300	300	365
c mm	350	350	350	350	350	350	440
d mm	90	90	90	80	80	80	110

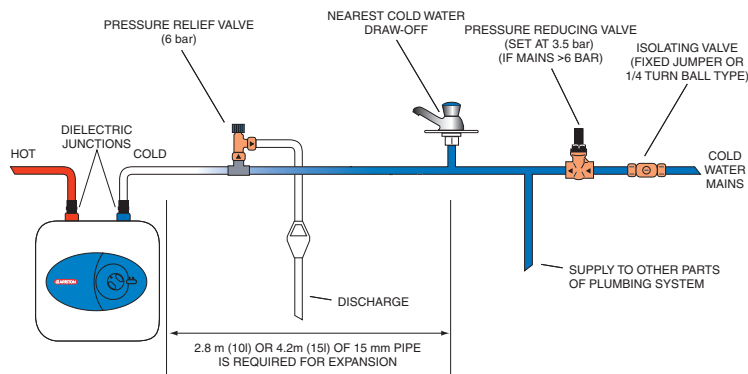
EUOPRISMA 10,15 & 30 litres



3 YEAR GUARANTEE

The Europrisma 10 and 15 litre capacity units can be installed in one of two ways. The following guidelines are designed to help select the correct items prior to installation.

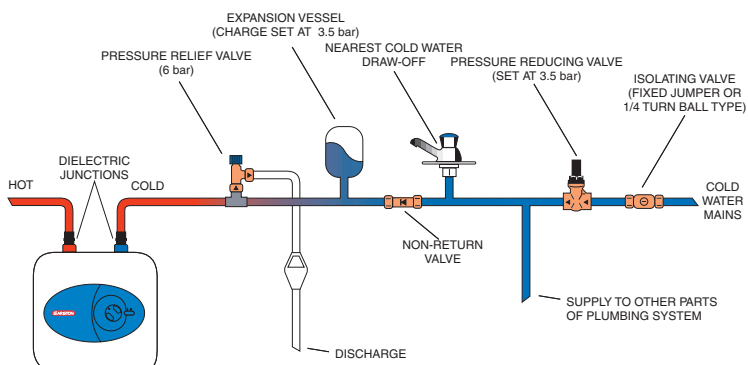
USING FEED PIPE TO ACCOMMODATE EXPANSION



Current Water Regulations and Byelaws permit unvented water heaters with capacity of 15 litres or less to accommodate the expansion of water that occurs during the heating cycle in the system pipe work. To achieve this the pipe work between the last cold water draw off and the water heater must be of sufficient volume to accommodate the expansion.

LENGTH OF PIPE	EUOPRISMA 10 LITRE	EUOPRISMA 15 LITRE
15mm pipe	2.8m	4.2m
22mm pipe	1.5m	2.2m

USING AN EXPANSION KIT



If it is not possible to accommodate the expansion in the system pipe work, it is then necessary to use an expansion vessel and non-return valve (Kit A). If the mains water pressure may exceed 3.5 bar a pressure reducing valve (Kit B) should also be installed. The discharge from relief valves must be made in a safe and conspicuous manner; therefore a tundish (Kit C) is available for 10 and 15 litre units if required.

OPTIONAL KIT A: EXPANSION VESSEL AND CHECK VALVE



OPTIONAL KIT B: PRESSURE REDUCER WITH INTEGRAL LINE-STRAINER



OPTIONAL KIT C: TUNDISH FOR 10 AND 15 LITRE UNITS



The Europrisma EP 30 R is covered by the Building Regulations and it is not possible to accommodate the expansion water within the system pipework. Expansion controls must be installed. The EP 30 R is supplied with a tundish as standard.

OPEN OUTLET ELECTRIC STORAGE WATER HEATER

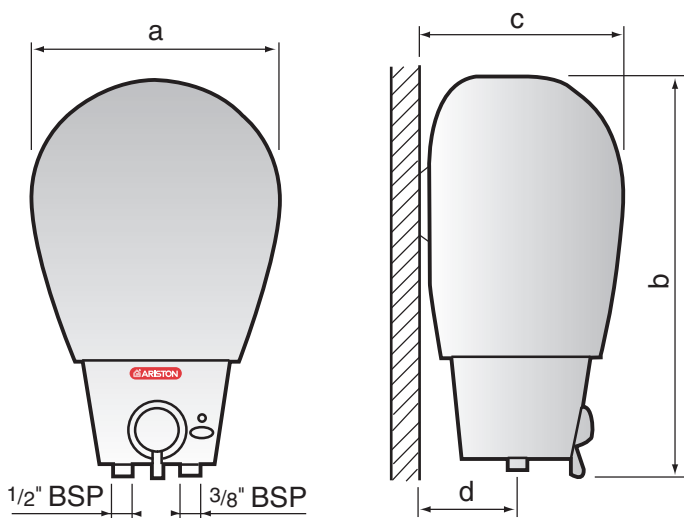


- Open outlet - suitable for mains or gravity feed
- Manufactured from a corrosion proof plastic material
- Completely recyclable and completely ecologically sound
- External temperature control
- Heating indicator light
- Equipped with directional spout
- Illuminated on/off switch
- Ceramic disc mixing valve
- 10 year tank guarantee (1 year guarantee on electrical components)

TECHNICAL INFORMATION - DIMENSIONS

EUREKA			Typical application
Capacity	litres	13	
Power	kW	2	
Voltage	V	240	
Reheat time ($\Delta T= 50^{\circ}\text{C}$)	minutes	30	
Maximum temperature	$^{\circ}\text{C}$	75	
Heat loss (kWh in 24 h) 60°C		-	

EUREKA



EUREKA		
a	mm	320
b	mm	490
c	mm	230
d	mm	130

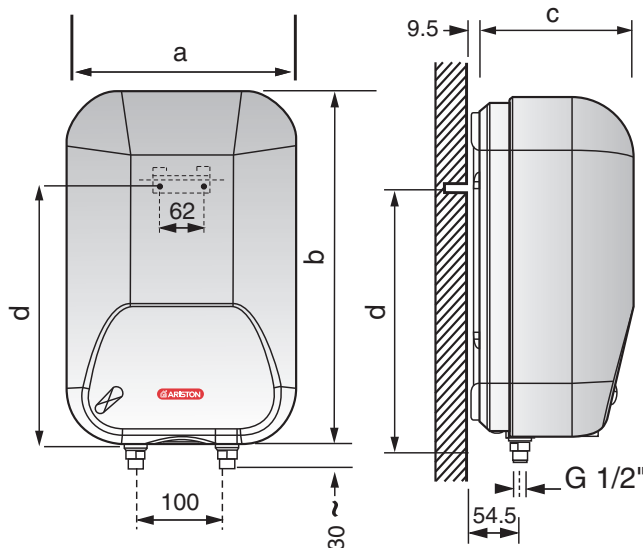
OPEN OUTLET ELECTRIC STORAGE WATER HEATER



- Open outlet - suitable for mains or gravity feed
- Manufactured from a corrosion proof plastic material
- Completely recyclable and completely ecologically sound
- External temperature control
- Heating indicator light
- Equipped with directional spout
- Illuminated on/off switch
- Certified to IP25D (splash proof) and impact resistant
- Vacuum safety
- 10 year tank guarantee (1 year guarantee on electrical components)

TECHNICAL INFORMATION - DIMENSIONS

			PICCOLO ARKS 5 0	Typical application
Capacity	litres		5	Low usage 1/2 basins/1 sink; (small kitchens, ensuite bathrooms, loft conversions + cloakrooms)
Power	kW		2	
Voltage	V		240	
Reheat time ($\Delta T = 50^{\circ}\text{C}$)	minutes		9	
Maximum temperature	$^{\circ}\text{C}$		85	
Heat loss (kWh in 24 h) 60°C			0.25	



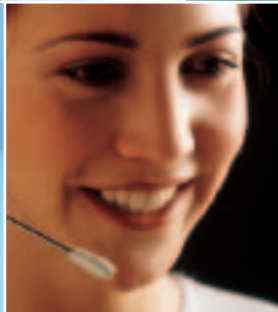
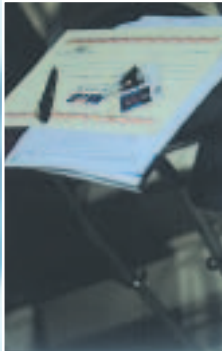
			PICCOLO ARKS 5 0
a	mm		251
b	mm		385
c	mm		174
d	mm		270

ARISTON QUALITY PRODUCTS EXCEPTIONAL SERVICE



REGIONAL TRAINING CENTRES

- Plymouth
- High Wycombe
- Gt. Manchester



COMPREHENSIVE TRAINING

Programmes across the entire Ariston product range covering all theoretical and practical aspects. Designed for commercial heating installers, merchants and independent gas-heating service organisations: courses are offered at 3 fully equipped training centres in the UK. In addition permanent training facilities are available at a number of technical colleges nationwide.

TECHNICAL HOT LINE

Immediate and effective technical assistance is only a phone call away. Assistance is also available for any information or advice on the product most suitable for your needs and the requirements of your system installation.

PROFESSIONAL SERVICE

Ariston service technicians are swift and prepared for any eventuality. They offer you and your customers a high level of assistance, comprising the best technical, logistic and human resources available. Ariston invests a great deal in this field to guarantee a decisive advantage that others cannot offer.



0063



WRc-NSF Ltd
Building Regulations Approved



MTS (GB) Limited
MTS Building
Hughenden Avenue
High Wycombe
Bucks, HP13 5FT
Tel: 01494 755600
Fax: 01494 459775

Technical Advice 0870 241 8180
Customer Service 0870 600 9888
Technical Advice & Customer Service Fax 01494 463066
E-mail: technical@uk.mtsgroup.com
www.ariston.co.uk
E-mail: info@uk.mtsgroup.com

