



SPARE PARTS EXPLODED VIEW
UNVENTED CYLINDERS

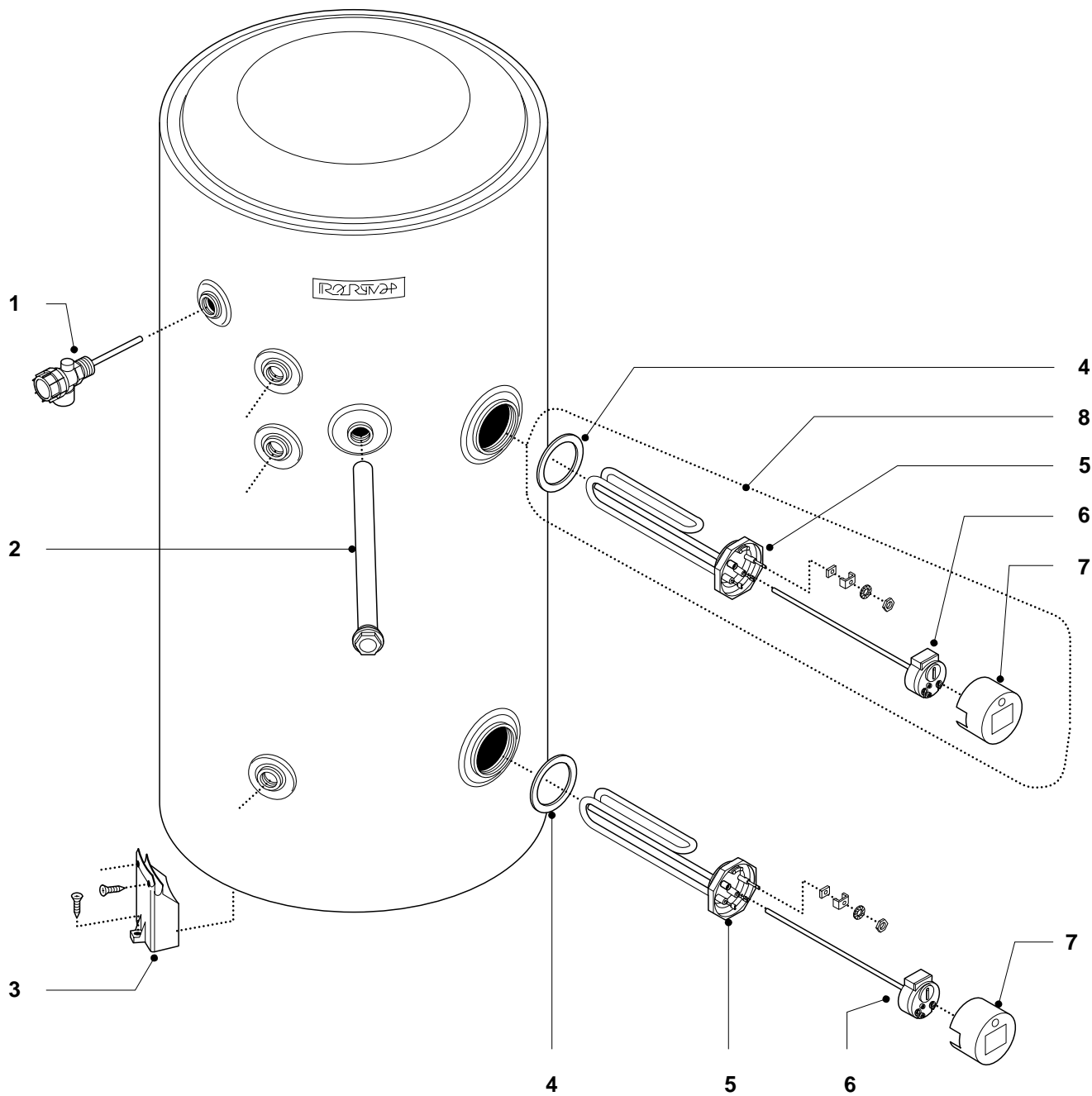
Model

CONTRACT STD 125

Edition 1

Current from Serial No:- 970000000890496 to
000000000893004





MODEL	CODE	FROM SERIAL NO.	REF.
CONTRACT STD 125	890496	970000000890496	A

PART	CODE	DESCRIPTION	REF.	NOTE
1	969040	Temperature + pressure relief valve 7 bar		
2	919054	Anode D.26 x 370 + 1" male		
3	926136	Feet 100 mm		
4	924087	Element gasket 2"1/4		
5	816544	Element RE UK 143 3 kW 240 V		
6	691218	Thermostat TBS 300		
7	935182	Element cap PVC for thermostat TBS 300		
8	935191	Element kit 2"1/4		11

NOTE	DESCRIPTION
11	Kit includes: element + thermostat + gasket